

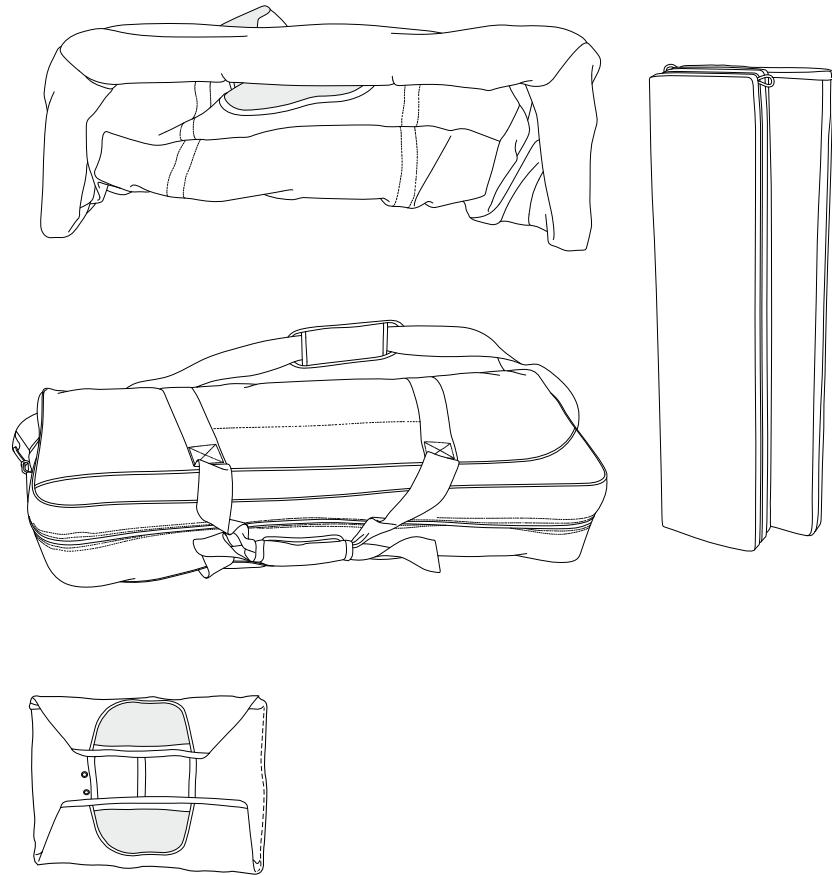
Silver Cross[®]

SLUMBER

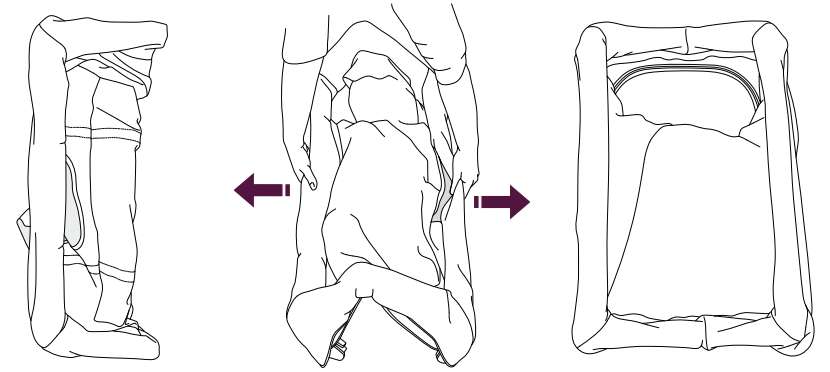
Travel Cot
Instruction Manual

IMPORTANT – READ THE INSTRUCTIONS CAREFULLY BEFORE USE AND KEEP FOR FUTURE REFERENCE

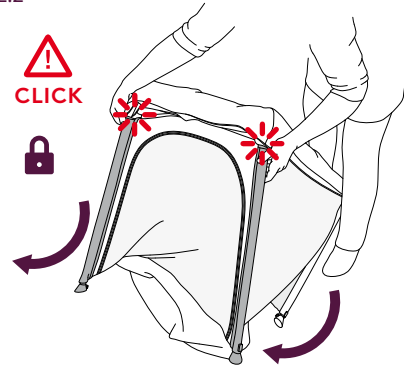
1.1



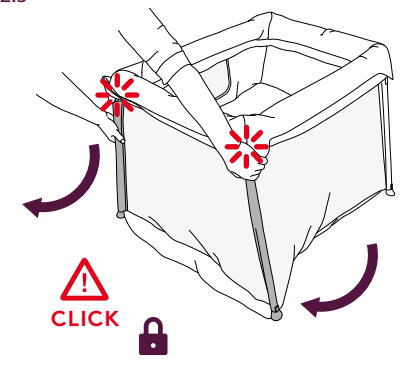
2.1



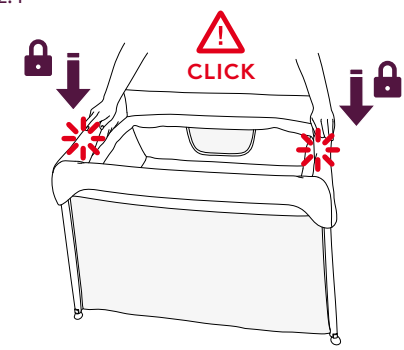
2.2



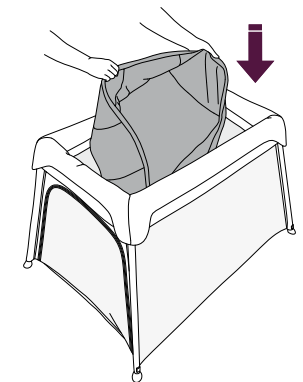
2.3

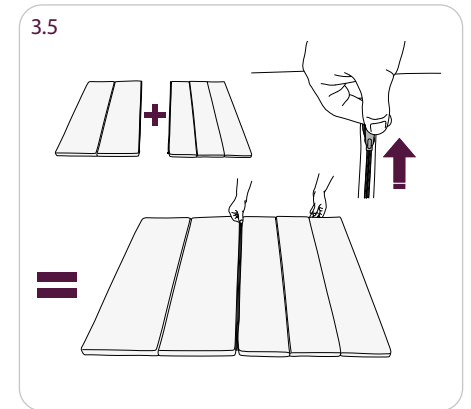
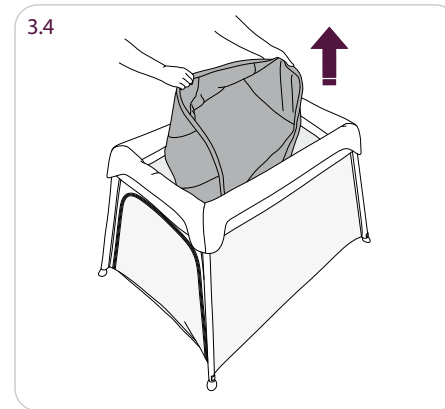
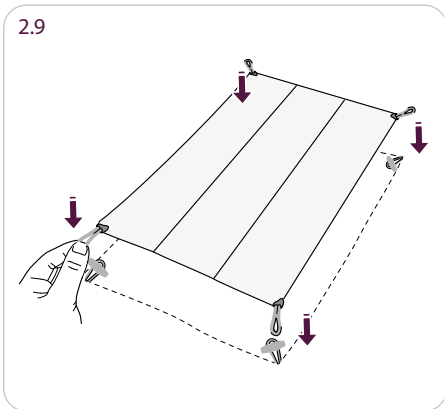
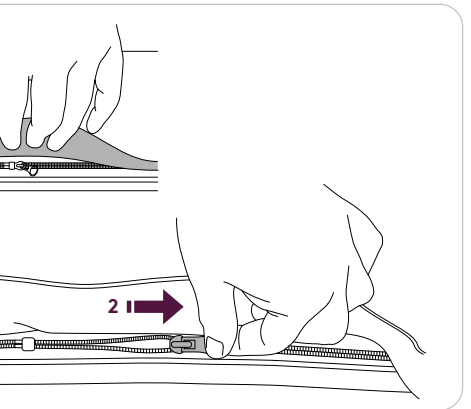
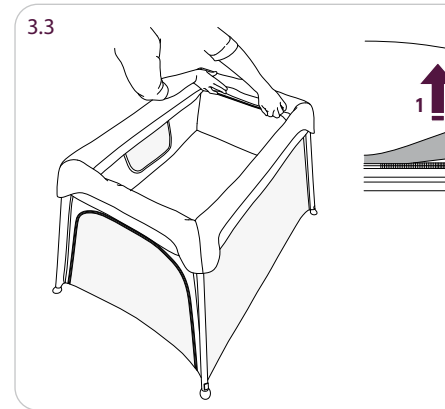
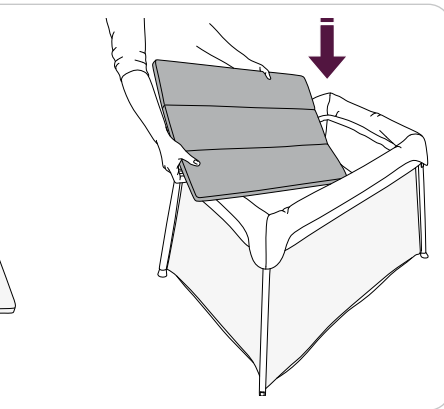
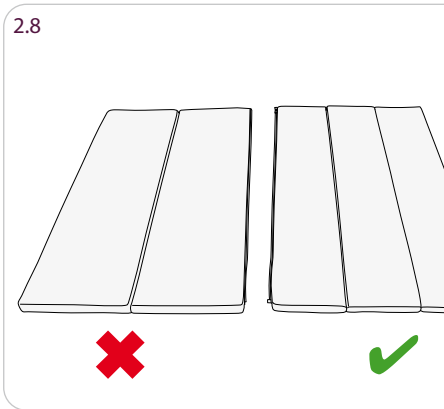
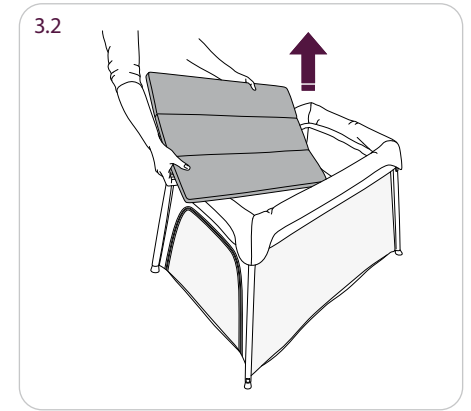
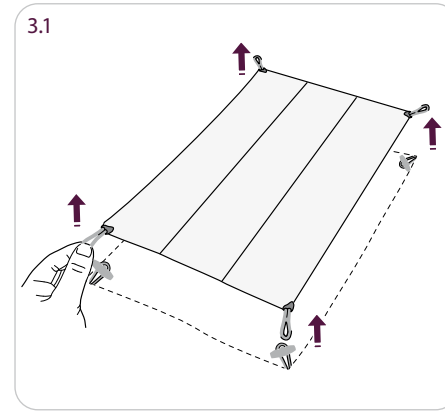
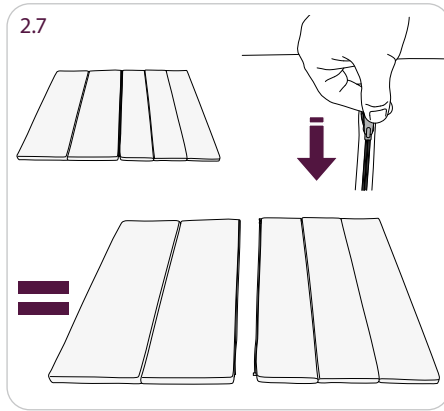
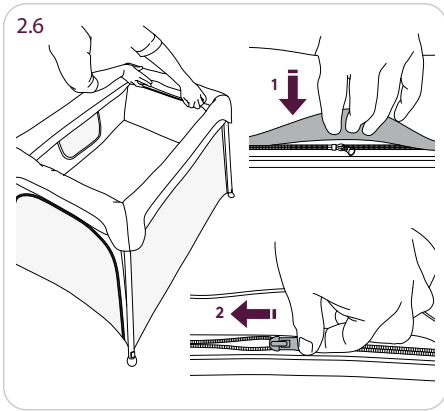


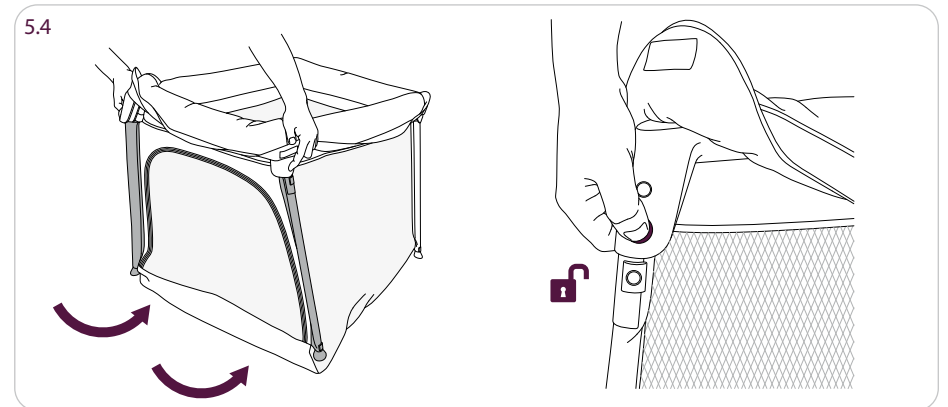
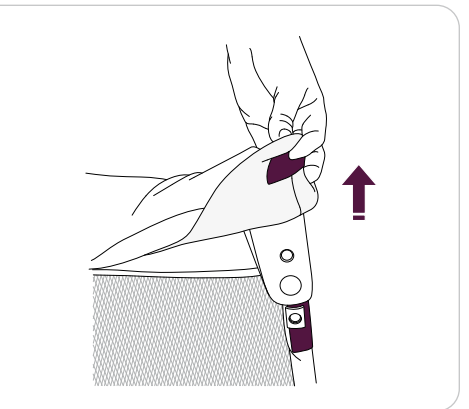
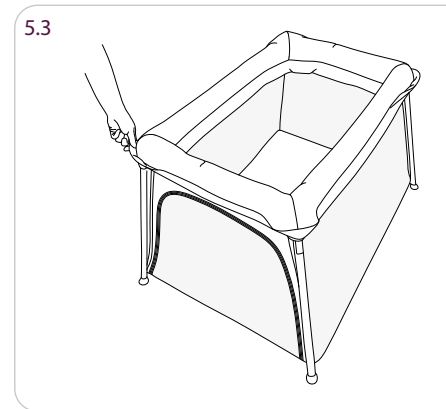
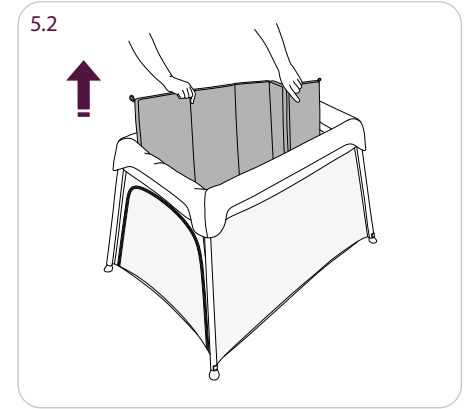
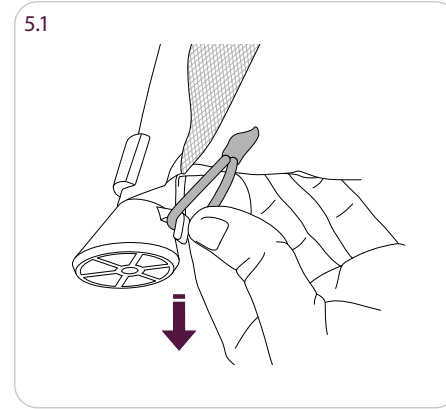
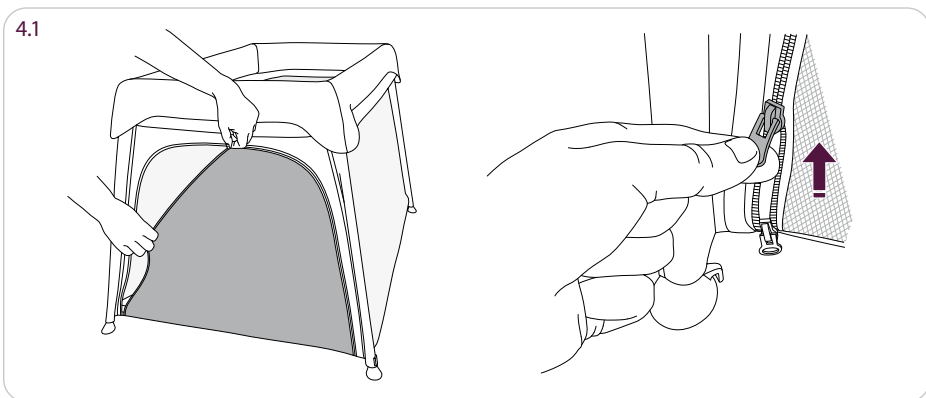
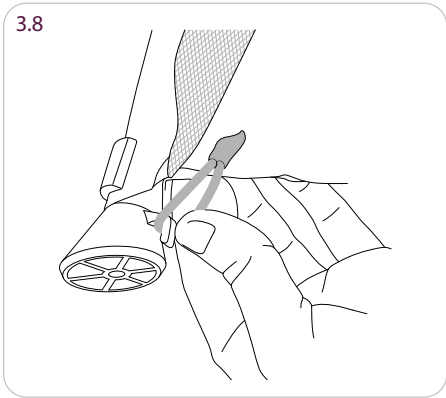
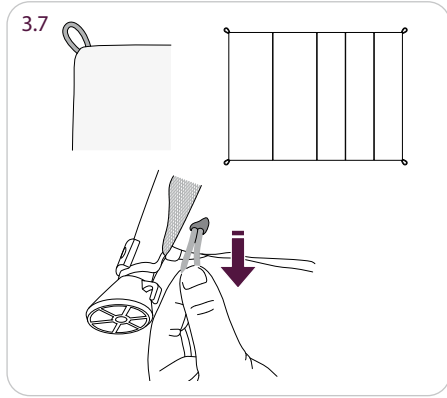
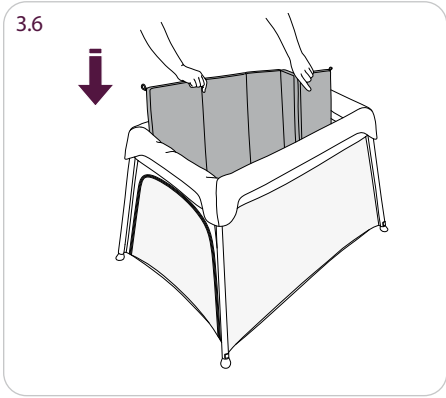
2.4

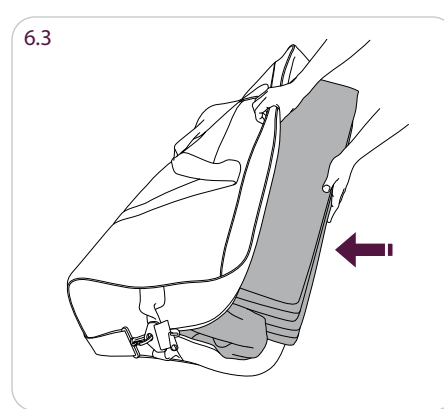
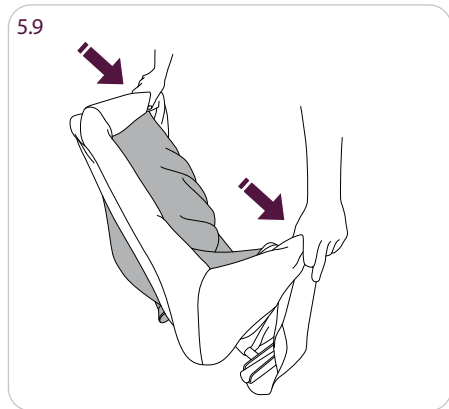
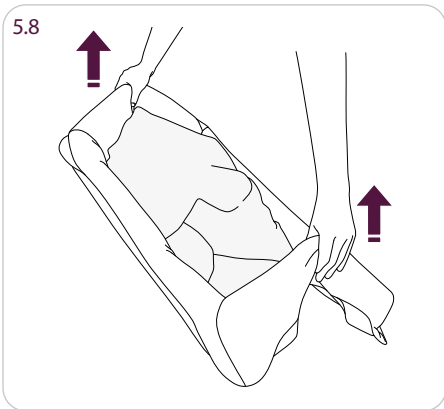
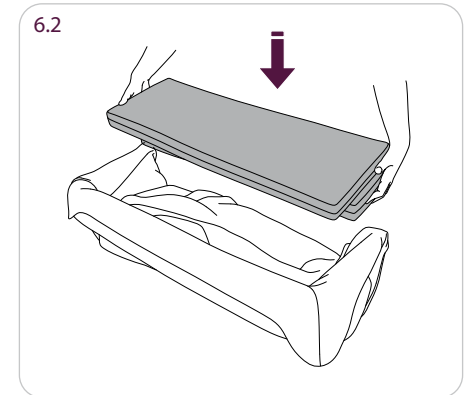
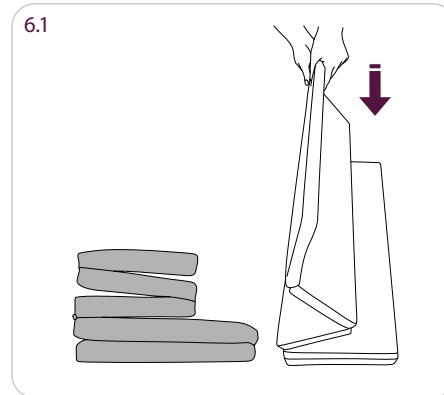
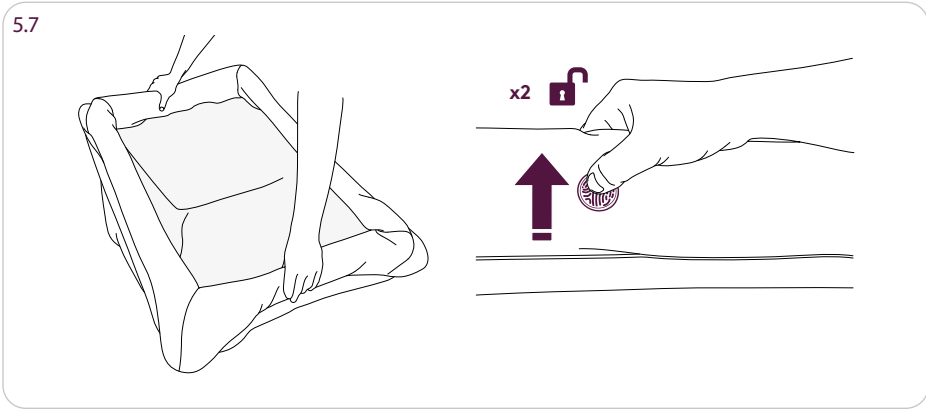
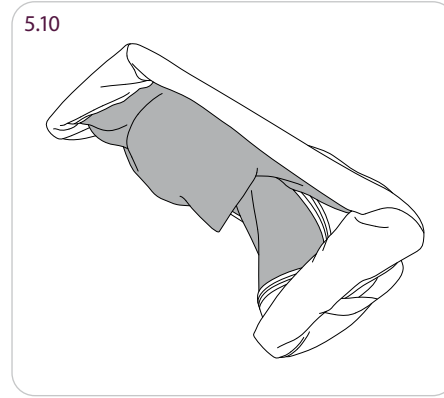
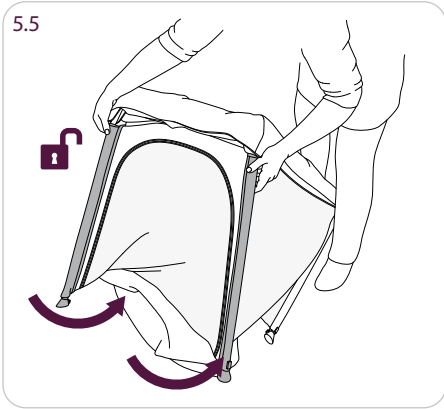


2.5









IMPORTANT: KEEP THESE INSTRUCTIONS FOR FUTURE REFERENCE

Safety notes

Your Slumber Travel Cot is a high quality Silver Cross product.

It complies with EN 716-1/2:2017, EN 12227:2010 and EN1130:2019. With correct use and maintenance will give good service. If, however you should have any problems with your Product, please contact your Silver Cross retailer who will take appropriate action.

This product is suitable from birth in new born mode up to 9kg and 6 month plus section onwards. Only use replacement parts and accessories supplied or recommended by Silver Cross.

WARNINGS:

THIS PRODUCT IS SUITABLE FOR A CHILD FROM BIRTH UP TO 15KG OR 3 YEARS WHICHEVER COMES FIRST.

NEWBORN INSERT: MAXIMUM WEIGHT OF THE CHILD: 9 KG, OR 6 MONTHS OLD, WHICHEVER COMES FIRST.

ALWAYS CHECK THAT ALL ASSEMBLY FITTINGS ARE ALWAYS TIGHTENED PROPERLY.

DO NOT USE IF ANY PART IS BROKEN, TORN OR MISSING.

USE ONLY REPLACEMENT PARTS SUPPLIED OR PROVIDED BY THE MANUFACTURER.

ACCESSORIES NOT APPROVED BY THE MANUFACTURER SHALL NOT BE USED.

TRAVEL COT:

BE AWARE OF THE RISK OF OPEN FIRE AND OTHER SOURCES OF STRONG HEAT, SUCH AS ELECTRIC BAR FIRES, GAS FIRES, ETC. IN THE NEAR VICINITY OF THE COT.

DO NOT USE THE COT IF ANY PART IS BROKEN, TORN OR MISSING AND USE ONLY SPARE PARTS APPROVED BY THE MANUFACTURER.

DO NOT LEAVE ANYTHING IN THE COT OR PLACE THE COT CLOSE TO ANOTHER PRODUCT, WHICH COULD PROVIDE A FOOTHOLD OR PRESENT A DANGER OF SUFFOCATION OR STRANGULATION, E.G. STRINGS, BLIND/CURTAIN CORDS.

DO NOT USE MORE THAN ONE MATTRESS IN THE COT.

THE COT IS READY FOR USE ONLY WHEN THE LOCKING MECHANISMS ARE ENGAGED AND TO CHECK CAREFULLY THAT THEY ARE FULLY ENGAGED BEFORE USING THE FOLDING COT.

THE LOWEST POSITION OF THE MATTRESS IS THE SAFEST AND THE BASE SHOULD ALWAYS BE USED IN THAT POSITION AS SOON AS THE BABY IS OLD ENOUGH TO SIT UP.

IF YOU LEAVE THE CHILD UNATTENDED IN THE COT, ALWAYS MAKE SURE THAT THE MOVABLE SIDE IS CLOSED.

ALL ASSEMBLY FITTINGS

SHOULD ALWAYS BE TIGHTENED PROPERLY AND THAT FITTINGS SHOULD BE CHECKED REGULARLY AND RETIGHTENED AS NECESSARY.

TO PREVENT FALLING, DO NOT USE THIS COT IF CHILD IS ABLE TO CLIMB OUT ALONE.

ONLY USE THE MATTRESS SOLD WITH THIS COT, DO NOT ADD A SECOND MATTRESS ON THIS ONE, SUFFOCATION HAZARDS.

PLAYPEN:

DO NOT PLACE THE PLAYPEN CLOSE TO AN OPEN FIRE OR OTHER HEAT SOURCE.

DO NOT USE THE PLAYPEN WITHOUT THE BASE.

ENSURE THAT THE PLAYPEN IS FULLY ERECTED AND ALL THE LOCKING MECHANISMS ENGAGED BEFORE PLACING YOUR CHILD IN THIS PLAYPEN.

DO NOT LEAVE ANYTHING IN THE PLAYPEN OR PLACE THE PLAYPEN CLOSE TO ANOTHER PRODUCT, WHICH COULD PROVIDE A FOOTHOLD OR PRESENT A DANGER OF SUFFOCATION OR STRANGULATION, E.G. STRINGS, BLIND/CURTAIN CORDS.

NEWBORN INSERT:

DO NOT USE THIS PRODUCT WITHOUT READING THE INSTRUCTIONS FOR USE FIRST.

STOP USING THE PRODUCT AS SOON AS THE CHILD CAN SIT OR KNEEL OR PULL ITSELF UP.

PLACING ADDITIONAL ITEMS IN THE PRODUCT MAY CAUSE SUFFOCATION.

DO NOT PLACE THE PRODUCT CLOSE TO ANOTHER PRODUCT, WHICH COULD PRESENT A DANGER OF SUFFOCATION OR STRANGULATION, E.G. STRINGS, BLIND/CURTAIN CORDS, ETC.

DO NOT USE MORE THAN ONE MATTRESS IN THE PRODUCT (COT, NEWBORN INSERT OR SUSPENDED BED).

THE PRODUCT SHALL BE PLACED ON A HORIZONTAL FLOOR.

YOUNG CHILDREN SHOULD NOT BE ALLOWED TO PLAY UNSUPERVISED IN THE VICINITY OF THE NEWBORN INSERT.

THE NEWBORN INSERT SHOULD BE LOCKED IN THE FIXED POSITION WHEN THE CHILD IS LEFT UNATTENDED.

RISK OF STRANGULATION: ALL ASSEMBLY FITTINGS SHOULD ALWAYS BE TIGHTENED PROPERLY AND CARE SHOULD BE TAKEN THAT NO SCREWS ARE LOOSE, BECAUSE A CHILD COULD TRAP PARTS OF THE BODY OR CLOTHING (E.G.

STRINGS, NECKLACES, RIBBONS FOR BABIES' DUMMIES, ETC.), WHICH WOULD POSE A RISK OF STRANGULATION.

MAXIMUM MATTRESS THICKNESS: 24MM.

BE AWARE OF THE RISK OF BURNING CIGARETTES, OPEN FIRES AND OTHER SOURCES OF STRONG HEAT, SUCH AS ELECTRIC BAR FIRES, GAS FIRES, ETC. IN THE NEAR VICINITY OF THE COT (NEWBORN INSERT AND SUSPENDED BED).

DO NOT USE NEWBORN INSERT IF ANY PARTS ARE MISSING, DAMAGED, OR BROKEN. CONTACT SILVER CROSS FOR REPLACEMENT PARTS AND INSTRUCTIONAL LITERATURE IF NEEDED. DO NOT SUBSTITUTE PARTS.

ONLY USE THE MATTRESS SOLD WITH THIS NEWBORN INSERT, DO NOT ADD A SECOND MATTRESS ON THIS ONE, SUFFOCATION HAZARDS.

MATTRESS COMPLIES WITH EN16890:2017+A1:2021

Care and maintenance

Frame - Always check your Silver Cross Travel Cot for signs of wear. Polish metal work with a clean, dry cloth.

Fabric - For fabric wash care instructions please refer to the care guide included with your Silver Cross Travel Cot.

Keep away from direct heat and strong sunlight. A certain degree of fading may occur over time through everyday use. Never machine wash, tumble dry, iron or bleach.

IM-LPW-230224-01r04 - SLUMBER 2023

Silver Cross

UK

Silver Cross (UK) Ltd.
Micklethorn, Broughton, Skipton,
North Yorkshire BD23 3JA

EU/PACIFIC

Silver Cross (Pacific) Ltd.
Office 527, Lee Garden Three,
1 Sunning Road, Causeway Bay,
Hong Kong

Silver Cross®

silvercrossbaby.com