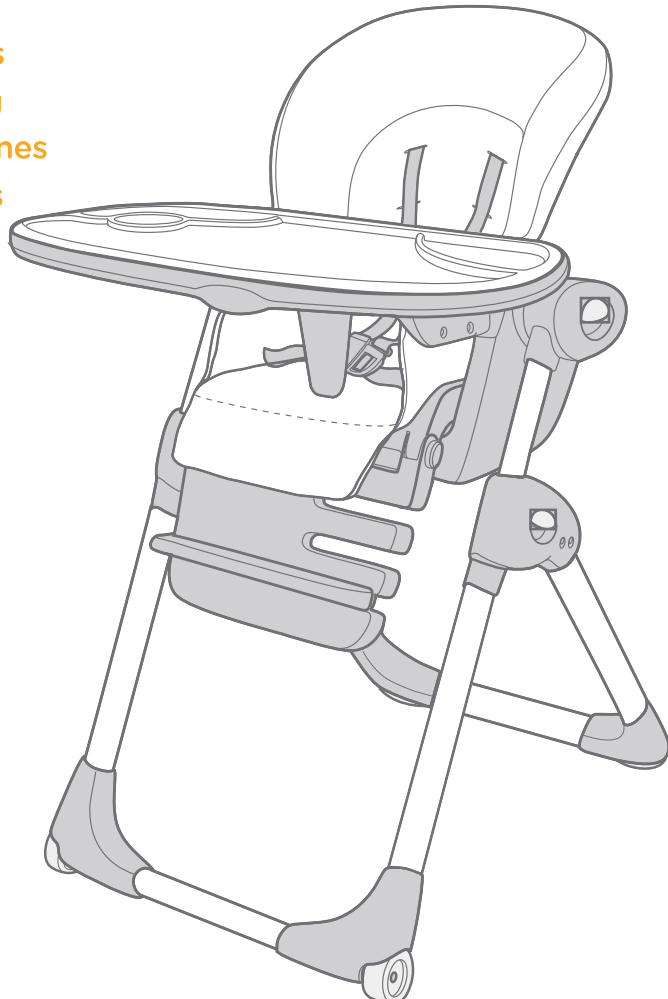


Joie™

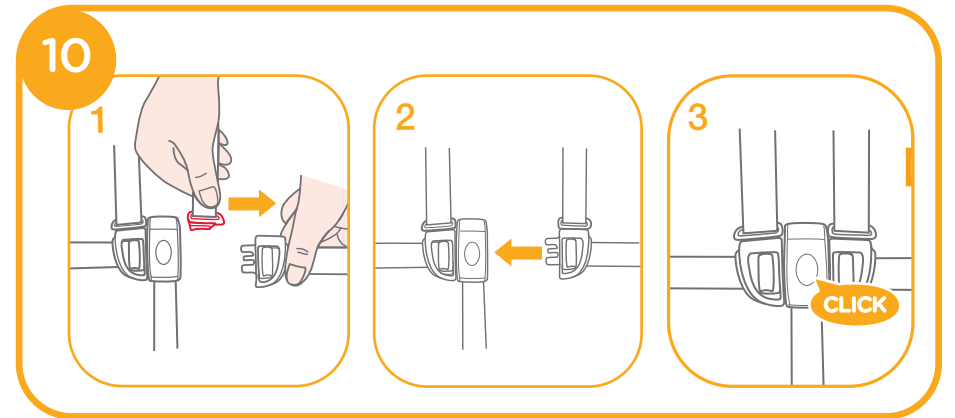
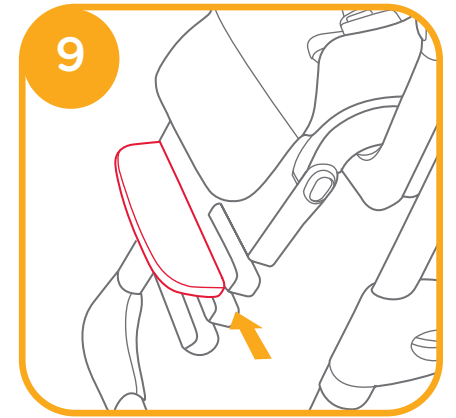
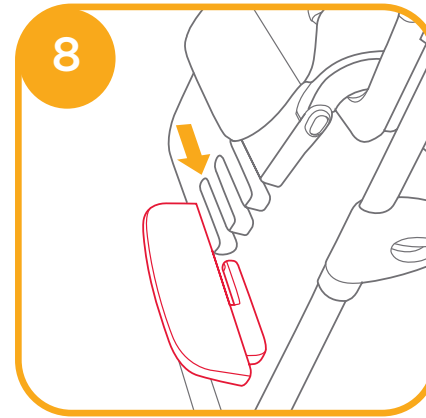
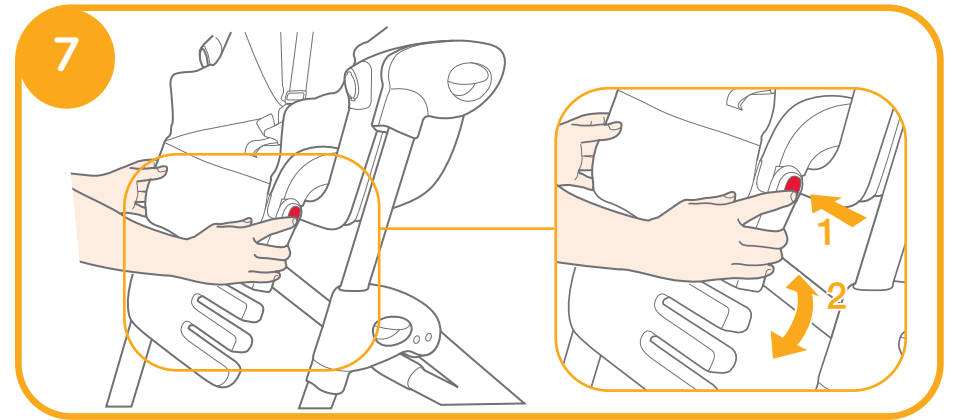
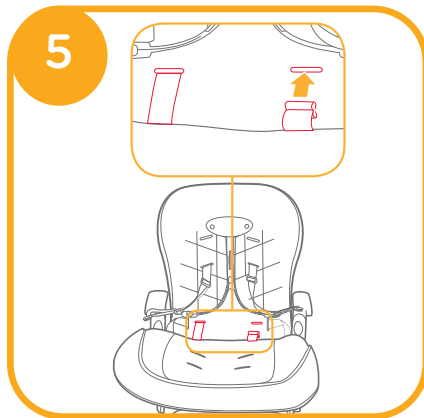
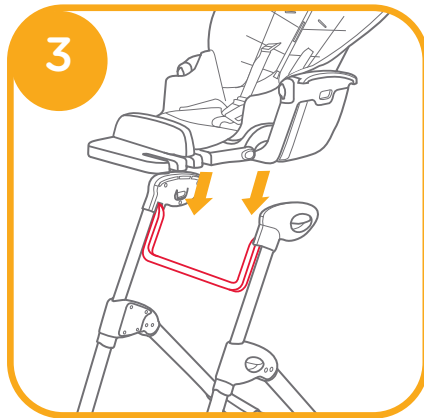
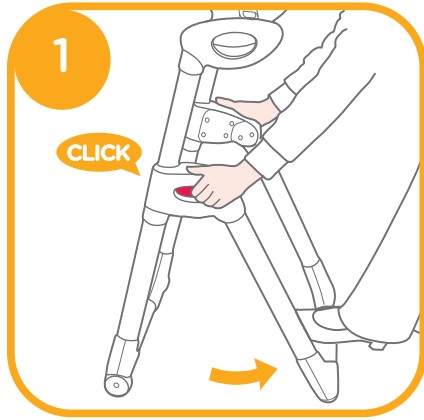
6-36 months

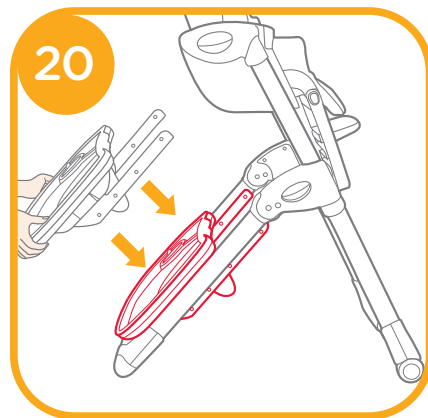
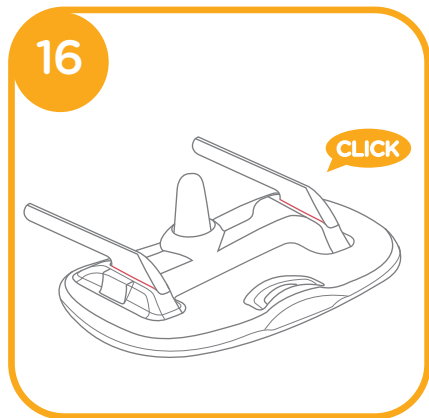
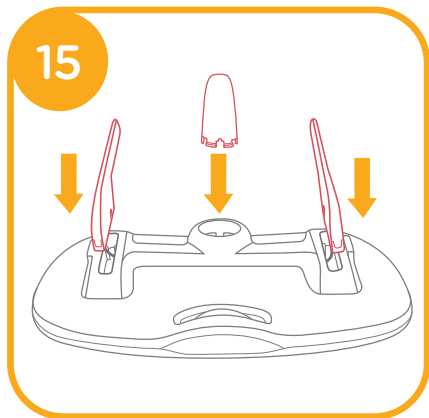
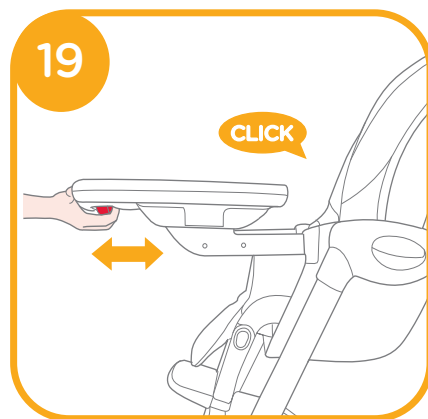
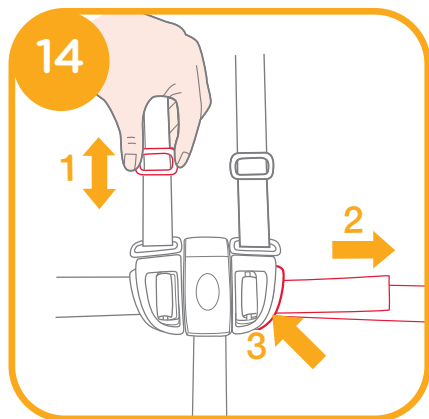
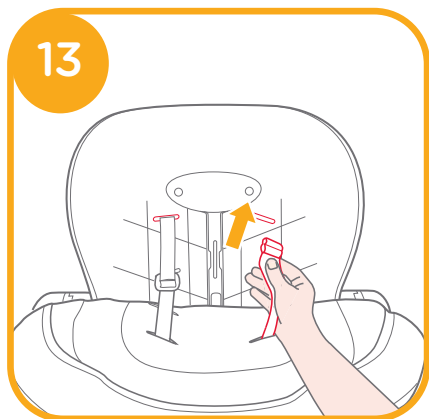
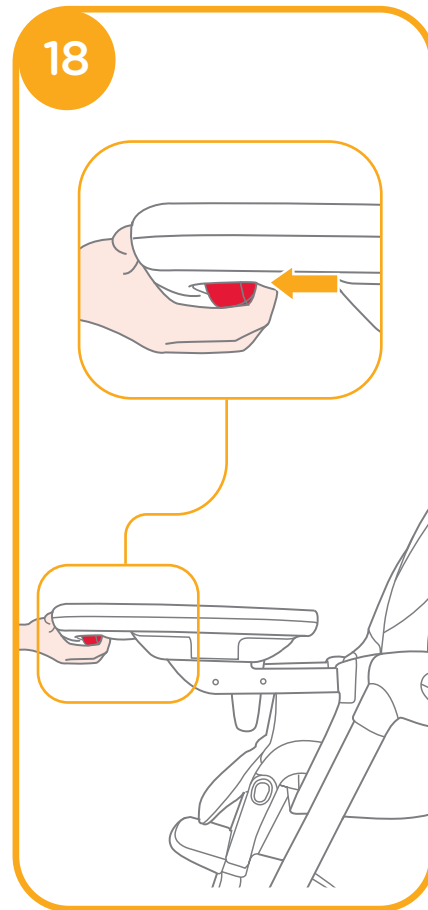
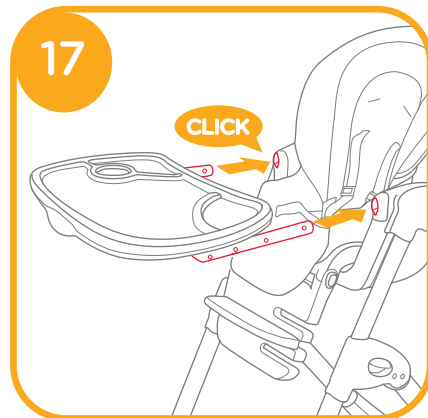
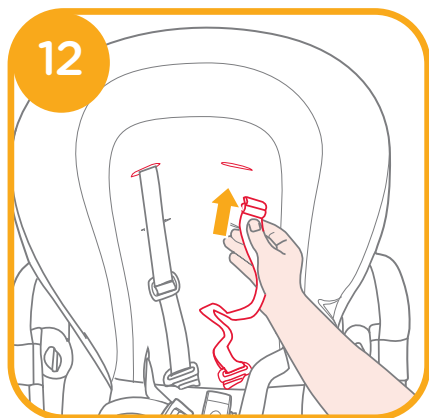
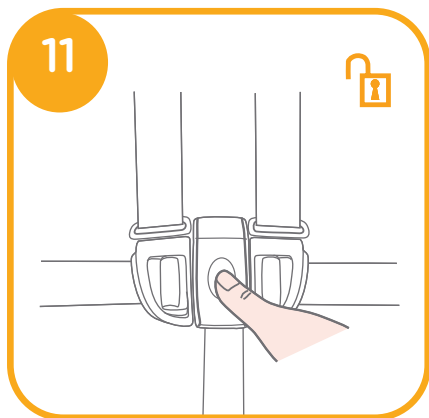
# mimzy™ mimzy™ 2in1 highchair

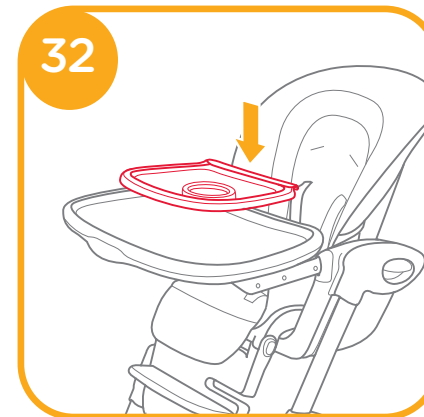
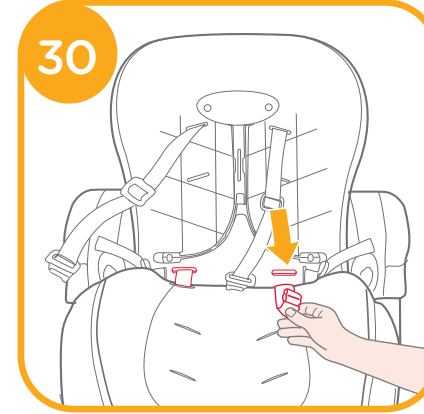
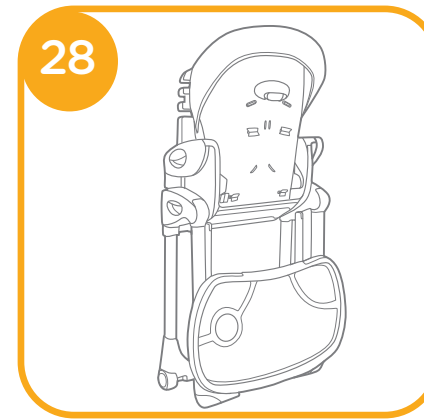
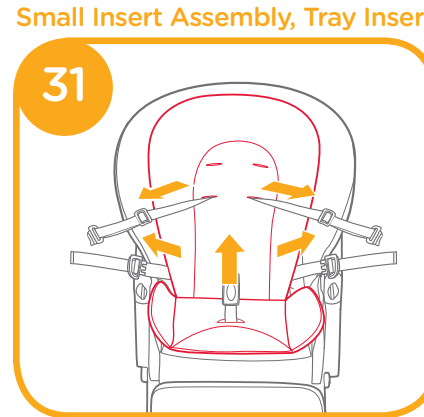
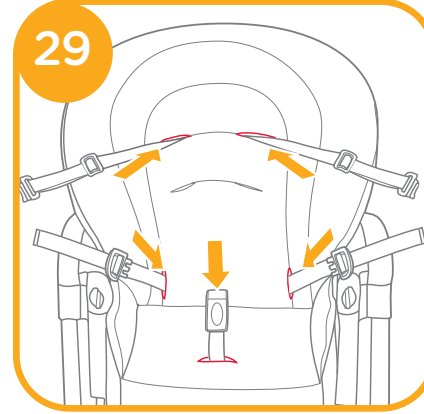
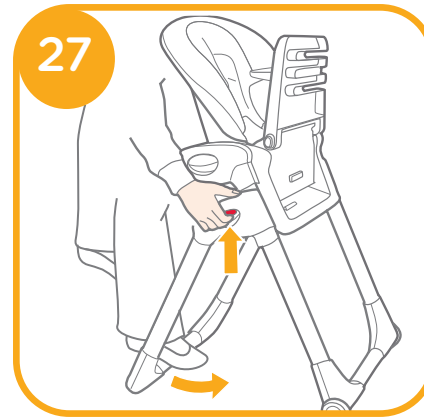
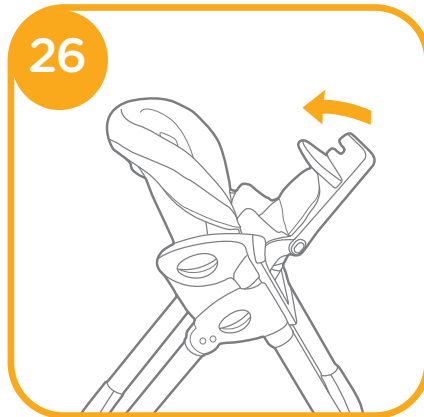
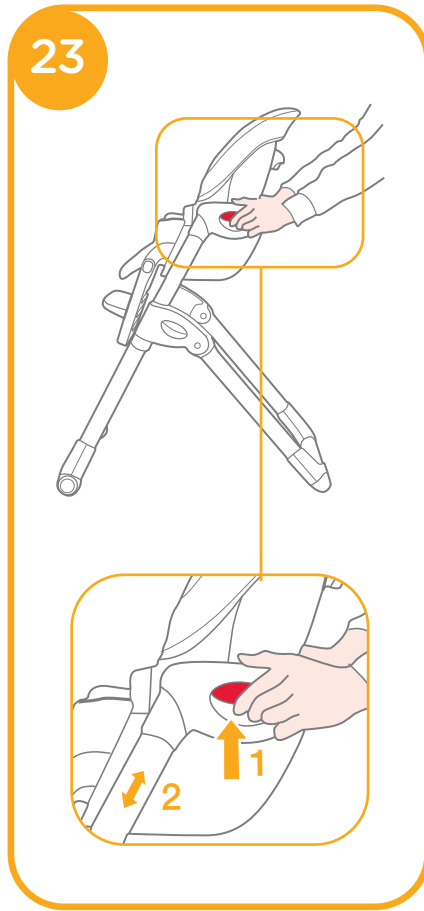
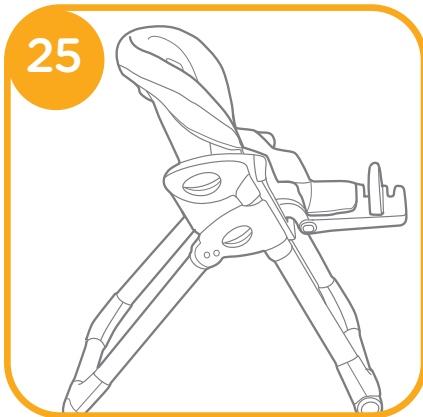
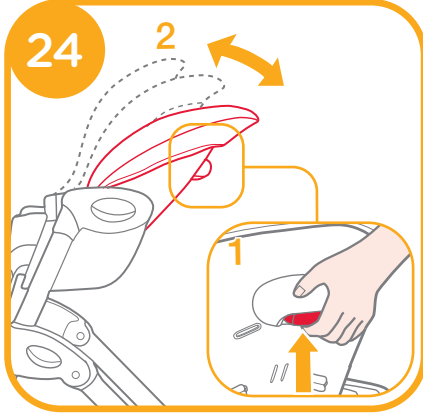
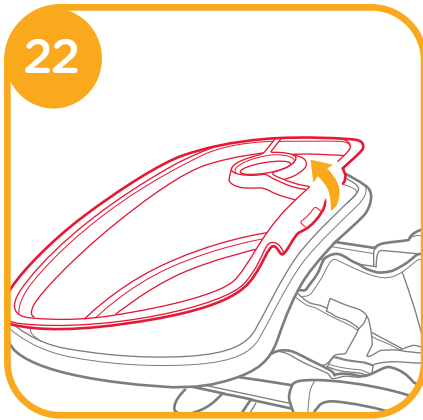
- GB Instruction Manual
- FR Manuel d'instructions
- DE Bedienungsanleitung
- ES Manual de instrucciones
- PT Manual de Instruções
- PL Instrukcja obsługi
- IT Libretto di istruzioni
- NL Handleiding
- RU Руководство по эксплуатации
- TR Kullanma Kılavuzu
- EL Εγχειρίδιο Οδηγιών
- KR 지침 매뉴얼
- CZ Návod k použití
- SK Návod na použitie
- HU Használati útmutató
- AR دليل التعليمات



# IMPORTANT! READ CAREFULLY AND KEEP FOR FUTURE REFERENCE







**Accessories**  
(May not be included in purchase)  
Small Insert Assembly, Tray Insert

# GB Welcome to Joie™

Congratulations on becoming part of the Joie family! We are so excited to be part of your life with your little one. While using with the Joie MIMZY™, you are using a high quality, fully certified high chair, approved to European safety standards EN 14988:2017+A1:2020. This product is suitable for use with children between 6-36 months. Please carefully read this manual and follow each step to ensure a pleasant experience and best protection for your child.

## IMPORTANT! READ CAREFULLY AND KEEP FOR FUTURE REFERENCE

Visit us at [joiebaby.com](http://joiebaby.com) to download manuals and see more exciting Joie products!

For warranty information, please visit our website at [joiebaby.com](http://joiebaby.com)

### Contents

Figures	1-6
WARNINGS	9
<b>Highchair Assembly</b>	<b>10</b>
Open Frame	10
Assembly Seat	10
Assembly Seat Pad	10
<b>Highchair Operation</b>	<b>10</b>
Adjust Calf Support	10
Adjust Footrest	10
Use Buckle	10
Adjust Height for Shoulder Harnesses	11
Adjust Length for Harnesses	11
Use Tray	11
Use Tray Cover	12
Adjust Height for Seat	12
Adjust Recline	12
<b>Fold Highchair</b>	<b>12</b>
<b>Detach Seat Pad</b>	<b>13</b>
<b>Accessories</b>	<b>13</b>
<b>Care and Maintenance</b>	<b>13</b>

### Emergency

In case of emergency or accident, it is most important to have your child taken care of with first aid and medical treatment immediately.

## Product Information

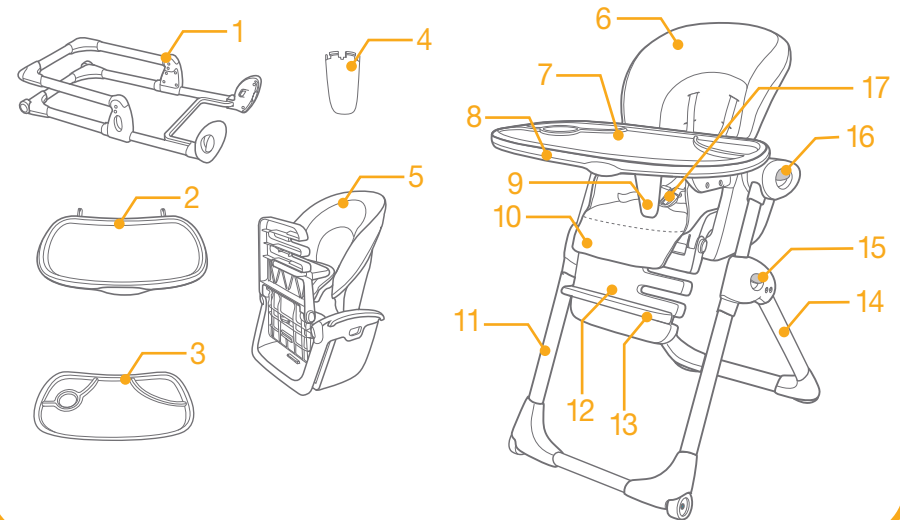
Read all the instructions in this manual before using this product. If you have any further questions, please contact your local distributor.

Product	Mimzy Highchair, Mimzy 2in1 Highchair
Suitable for	Child weighing under 15 kg (6 - 36 months)
Materials	Plastics, metal, fabrics
Patent No.	Patents pending
Made in	China
Brand Name	Joie
Website	<a href="http://www.joiebaby.com">www.joiebaby.com</a>
Manufacturer	Allison GmbH

### Parts List

Make sure all parts are available before assembly. If any part is missing please contact your local distributor. No tools are required for assembly.

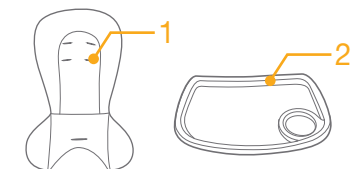
1 Frame	6 Backrest	11 Front Leg	16 Height Adjustment Button
2 Tray	7 Tray cover	12 Calf Support	17 5-point Buckle
3 Tray Cover	8 Tray	13 Footrest	
4 Tray Horn	9 Tray Horn	14 Rear Leg	
5 Seat	10 Seat Pad	15 Fold Button	



### Accessories

(Only included in Mimzy 2 in 1)

- 1 Small Insert (on certain models)
- 2 Tray Insert (on certain models)



## WARNINGS

- ! Adult assembly required.
- ! Please read all the instructions in this manual before assembling and using this product.
- ! Please keep instruction manual for future reference.
- ! The product is intended for children able to sit up unaided and up to 3 years or a maximum weight of 15 kg.
- ! Failure to follow these warnings and the assembly instructions could result in serious injury or death.
- ! DO NOT make any modification to this highchair or use it along with component parts from other manufacturers.
- ! DO NOT use the highchair if any parts are broken, torn or missing.
- ! DO NOT use the product unless all components are correctly fitted and adjusted.
- ! WARNING! Never leave the child unattended. Always keep your child in view.
- ! To prevent serious injury or death from falling or sliding out, always secure child in the restraint.
- ! Follow these instructions carefully to make sure the restraint harness is fitted correctly.
- ! Secure your child at all times using the restraint harness provided in both the reclining or upright positions. The tray is not designed to hold your child in the product.
- ! DO NOT use the highchair until the child can sit up unaided.
- ! It is recommended that the product be used in the upright position only by children capable of sitting upright unaided.
- ! DO NOT allow your child to stand in or on the highchair.
- ! DO NOT lift and carry highchair while occupied.
- ! DO NOT allow children to play with or around highchair while occupied.
- ! DO NOT allow children to lean over sides of highchair. It may become unbalanced and tip over.
- ! DO NOT place any heavy bags, packages, or other items on the highchair tray. They may cause the chair to tip over.
- ! Always use on a flat and level floor.
- ! Be aware of the risk of open fire and other sources of strong heat in the vicinity of the product.
- ! To avoid strangulation hazard, DO NOT place product in any location where there are cords, such as window blind cords, drapes, phone cords, etc.
- ! All assembly fittings should be unfolded completely, tightened and latched properly before using the product.
- ! Regularly check the locks and fittings for security.
- ! Regularly inspect the product for damaged hardware, loose joints, missing parts or sharp edges.
- ! Remove your child from product before folding or adjusting the highchair.
- ! Make sure the product has been folded or unfolded completely before letting your child approach the highchair.
- ! Consult your local distributor for issues concerning maintenance, repair and part replacement.
- ! To avoid burns, DO NOT place hot food on tray.
- ! WARNING Make sure the safety harness is correctly fitted.
- ! To prevent serious injury or death from falling or sliding out, always use the restraint system and ensure it is correctly fitted.
- ! Falling hazard: Prevent your child from climbing on the high chair.
- ! Keep children away when unfolding and folding the product to avoid injury.
- ! Be aware of the risk of tilting when your child can push its feet against a table or any other structure.
- ! Always use the restraint system.

## Highchair Assembly

Please read all the instructions in this manual before assembling and using this product.

### Open Frame

1. Rotate rear leg back until an audible "click" is heard. ①

### Assemble Seat

1. Open the seat. ②
2. Fit the seat onto the frame ③. An audible "click" means the seat is secured to the frame. ④
  - ! Lift the seat up to be sure it is locked into place.

### Assemble Seat Pad

Assemble the seat pad by following these steps:

1. Open the seat.
2. Insert the two straps through openings in seat back. ⑤
  - ! Please make sure the straps are secured to the seat back to prevent the seat pad from slipping.
3. Pull all the harnesses through the slots in seat pad. ⑥
4. Wrap the seat pad over the top of seat back.

## Highchair Operation

### Adjust Calf Support

1. The calf support has 2 position settings.
2. Press the adjustment buttons on both sides of the seat ⑦ - 1 and rotate the calf support downward or upward. ⑦ - 2

### Adjust Footrest

1. The footrest can be adjusted to 3 positions.
2. To adjust the footrest, remove the footrest from the calf support ⑧, choose a desired position, and then reinsert the footrest into the calf support. ⑨

### Use Buckle

#### Note

1. To prevent serious injury or death from falling or sliding out, always secure child in the restraint.
2. Make sure the restraint harness is fitted correctly and the space between the harness and the child does not exceed the thickness of an adult hand.
3. DO NOT cross the shoulder belts. This will cause pressure on child's neck.

#### Lock Buckle

Match the waist belt buckle up with the shoulder buckle and slide together ⑩ - 1. Insert buckles into the center buckle ⑩ - 2. A "click" means the buckle is locked completely ⑩ - 3. Repeat for other side.

Release Buckle

Press the center button to release the buckles. **11**

## Adjust Height for Shoulder Harnesses

### Note

1. The shoulder harness must go into the slot that is even with or slightly above the shoulders.
2. In order to protect your child from falling out, after your child is placed into the seat, check whether the shoulder harnesses are at proper height.
3. For larger child, use the upper shoulder slots. For smaller child, use the lower shoulder slots.

1. Choose a pair of proper shoulder slots. Insert the shoulder harnesses into slots in seat pad and seat back. **12 13**

! When changing shoulder harness slots, make sure shoulder harnesses are going through same slots in seat pad and seat back.

## Adjust Length for Harnesses

1. Use slide adjuster to change the harness length. **14 - 1**
2. Pull waist harness to tighten to proper length **14 - 2**. Press the button to loosen the waist harness. **14 - 3**

## Use Tray

Assemble Tray

1. Fit the crotch restraint and tray mount onto the tray by pushing into the opening on the tray bottom until you hear a "click" sound. **15 16**  
  
! Both the crotch restraint and tray mount can only be assembled in one direction. The slots on the crotch restraint and tray mount attachment should be aligned with the ribs in the opening of the tray bottom.
2. Insert the tray guides into the holes in the seat, slide forward until a "click" is heard. **17** To remove tray, squeeze the button under the tray and slide off. **18**  
  
! The tray horn must be inserted into tray before use. Once the tray horn is inserted, do not attempt to remove it.  
  
! Use caution when adjusting tray, as the tray can be completely removed from the seat.

Tray Adjustment

1. The tray has 3 positions. The distance between your child and tray can be adjusted as needed.
2. Squeeze the button under the tray and move the tray until a desired position is reached, and then release the button. If the tray is not automatically locked in the holes, move the tray until a "click" is heard. **19**  
  
! Ensure both sides of tray are in matching positions.  
  
! Pull the tray towards you to ensure both guides are secure.

Tray Storage

1. When the tray is not in use, it can be stored on the rear legs.
2. Place the tray over the rear legs and snap the tray guides into place. **20**
3. The stored tray is shown in **20**.

## Use Tray Cover

### Note

1. The tray cover can be used together with the tray. It can also remain attached when the tray is stored.
2. When placed on the dinner table, the tray cover can be used as a serving tray.

1. To attach the tray cover, place it over the tray and push down until tab snaps into place. **21**
2. To remove the tray cover, grasp the tab near the seating area and pull up, then lift the tray cover upwards. **22**

## Adjust Height for Seat

1. There are 7 height positions. The seat can be adjusted to the proper height according to the height of your dinner table, which makes it more convenient for your child to have meals together with family.

! **DO NOT adjust the height of the seat with child in it.**

2. To adjust height, squeeze the height adjustment buttons on both sides of the chair **23 - 1**, and lower or raise seat to a desired position. **23 - 2**

## Adjust Recline

! **DO NOT adjust the seat recline with child in it.**

1. There are 3 recline positions.
2. Squeeze button on the back of seat **24 - 1** and push down or pull up **24 - 2** to adjust the seat back to a desired recline position.



## Fold Highchair

! **DO NOT fold the highchair with child in it.**

Fold the highchair by following these steps:

1. Remove tray before folding the highchair.
2. For most compact storage, lower the seat to the lowest position and adjust the calf support to horizontal or flat position. **25**
3. Fold the seat. **26**
4. Fold the frame. **27**
5. Store the tray on the rear legs. **28**


## Detach Seat Pad

1. Release the 5-point buckle.
2. Pull harnesses through the back of seat pad. 
3. Remove the two straps from the seat back to detach the seat pad. 

## Accessories

Accessories may be sold separately or may not be available depending on region.


### Small Insert Assembly

If need to use small insert, please assemble it as .

### Tray Insert

The tray insert can be used together with the tray. It can also remain attached when the tray is stored.

When placed on the dinner table, the tray insert can be used as a serving tray.

To attach the tray insert, place it over the tray and push down until the tab snaps into place. 

## Care and Maintenance

- ! The tray cover and tray insert are dishwasher safe.
- ! Your seat pad can be spot cleaned with a sponge and soapy water. DO NOT use bleach.
- ! Drip dry the washed seat pad. DO NOT put in dryer.
- ! To clean the frame, wipe with a damp cloth and mild detergent then wipe out any traces of moisture on the frame with a dry cloth.
- ! DO NOT use undiluted neutral detergent, gasoline or other organic solvent to wash the highchair. It may cause damage to the highchair.
- ! From time to time, check your highchair for worn parts, torn material or stitching. Replace the parts as needed.
- ! If the highchair is not in use for a long period of time, please put it somewhere your child cannot access it.



# FR Bienvenue dans la grande famille Joie™

Nous sommes heureux de faire partie vous compter parmi les nouveaux utilisateurs de nos produits. Vous avez choisi la chaise haute. Mimzy™ 2 en 1. Ce produit est conforme à la norme européenne actuellement en vigueur en EN 14988:2017+A1:2020. Ce produit s'utilise pour les enfants âgés de 6 à 36 mois (moins de 15 kg). Lisez attentivement les recommandations et avertissements contenus dans ce manuel et suivez chaque étape pour assurer une bonne utilisation de la chaise haute en toute sécurité. Rendez-vous sur le site officiel de la marque [www.joiebaby.com](http://www.joiebaby.com). Vous pourrez télécharger le manuel d'instructions et découvrir les nouveaux produits de la marque Joie.

Pour plus d'informations sur le service de garantie, veuillez consulter notre site Web à la même adresse.

## ! IMPORTANT! A LIRE ATTENTIVEMENT ET A CONSERVER EN VUE D'UNE CONSULTATION ULTERIEURE.

### Sommaire

Schémas de montage	1-6
AVERTISSEMENTS	17
<b>Montage de la chaise haute</b>	<b>18</b>
Ouverture du cadre	18
Montage siège	18
Assemblage du support de siège	18
<b>Fonctionnement de la chaise haute</b>	<b>18</b>
Ajustement du repose-jambes	18
Ajustement du repose-pieds	18
Utilisation du harnais	18
Ajustement de hauteur du harnais de sécurité	19
Ajustement de longueur des sangles du harnais	19
Utilisation du plateau	19
Utilisation du couvercle du plateau	20
Ajustement de la hauteur du siège	20
Ajustement de l'inclinaison	20
<b>Pliage de la chaise haute</b>	<b>20</b>
<b>Détacher le coussin de siège</b>	<b>21</b>
Conseils d'entretien	21

### En cas d'urgence

En cas d'accident, la chose la plus importante est porter secours à votre enfant, lui de lui donner les premiers soins et/ou d'appeler un médecin.

## Informations sur le produit

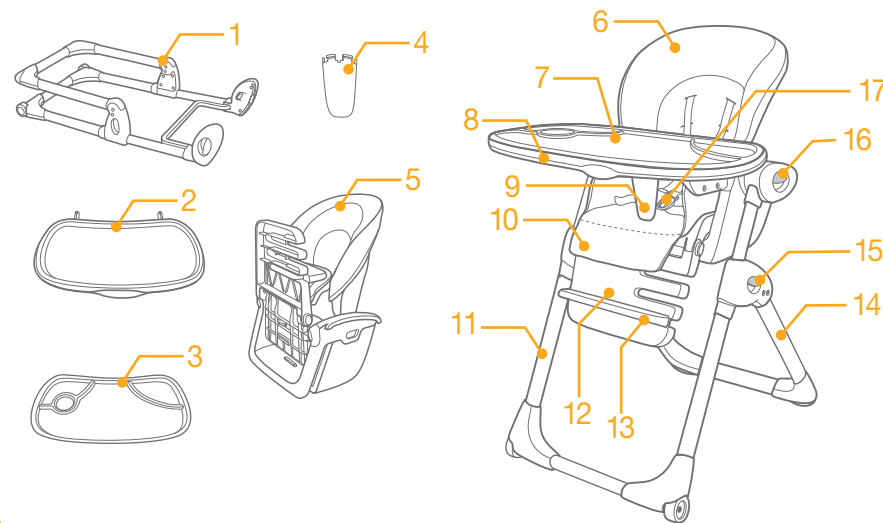
Veuillez lire toutes les instructions de ce manuel avant d'utiliser ce produit. En cas de questions additionnelles, veuillez contacter le distributeur local.

Produit	Chaise Haute Mimzy, Chaise Haute Mimzy 2in1
Convient	aux enfants de moins de 15 kg (6 à 36 mois)
Matériaux	Plastique, métal, tissus
Brevet n°	Brevets en instance
Fabriqué en	China
Nom de marque	Joie
Site Web	<a href="http://www.joiebaby.com">www.joiebaby.com</a>
Fabriquant	Allison GmbH

### Liste des pièces

Assurez-vous que toutes les pièces sont disponibles avant le montage. Si certaines pièces sont manquantes, veuillez contacter votre distributeur local. Aucun outil n'est nécessaire pour le montage.

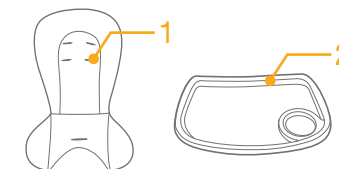
1 Cadre	6 Dossier	11 Pied avant	16 Bouton
2 Plateau - Tablette	7 Deuxième plateau principal	12 Repose-jambes	d'ajustement de
3 Deuxième plateau principal	8 Plateau principal	13 Repose-pieds	la hauteur
4 Butée	9 Butée	14 Pied arrière	
5 Siège	10 Coussin de siège	15 Bouton de pliage	17 Harnais à 5 points



### Accessoires

(Inclus seulement avec la Mimzy 2 en 1)

- 1 Coussin de siège (sur certains modèles)
- 2 Deuxième plateau (sur certains modèles)



## AVERTISSEMENTS

- ! AVERTISSEMENT Veuillez lire toutes les instructions de ce manuel avant d'assembler et d'utiliser ce produit.
- ! AVERTISSEMENT Ce produit doit être assemblé par un adulte.
- ! Conserver ce mode d'emploi pour une consultation ultérieure.
- ! AVERTISSEMENT Ce produit convient aux enfants de 6 à 36 mois (moins de 15kg).
- ! AVERTISSEMENT Le non respect de ces avertissements et des instructions de montage peut entraîner des blessures graves ou la mort.
- ! AVERTISSEMENT NE PAS procéder à des modifications sur cette chaise haute ou l'utiliser avec des pièces provenant d'autres constructeurs.
- ! AVERTISSEMENT NE PAS utiliser la chaise haute si elle contient des pièces endommagées ou manquantes.
- ! NE PAS utiliser la chaise haute si tous les composants ne sont pas correctement installés et réglés.
- ! AVERTISSEMENT! Ne jamais laisser l'enfant sans surveillance.
- ! Afin d'éviter les risques de chute grave ou mortelle, toujours attacher l'enfant avec le harnais de sécurité.
- ! Suivre attentivement ces instructions afin de vous assurer que le harnais de sécurité est installé correctement.
- ! AVERTISSEMENT Attacher toujours votre enfant en utilisant le harnais de sécurité, que le siège soit en position inclinée ou droite. Le plateau n'est pas conçu pour retenir votre enfant sur la chaise.
- ! NE PAS utiliser la chaise haute tant que l'enfant ne peut pas rester assis sans aide.
- ! AVERTISSEMENT Il est recommandé d'utiliser le siège dans la position droite seulement avec des enfants capables de s'asseoir en position verticale sans aide.
- ! NE PAS laisser votre enfant se tenir debout dans ou sur la chaise haute.
- ! NE PAS lever ou transporter la chaise haute lorsque votre enfant est à l'intérieur.
- ! NE PAS laisser des enfants jouer avec ou autour de la chaise haute lorsqu'elle est occupée.
- ! NE PAS laisser votre enfant se pencher sur les côtés de la chaise haute. Elle pourrait se déséquilibrer et basculer.
- ! AVERTISSEMENT NE PAS placer de sacs lourds, de paquets ou autres objets sur le plateau de la chaise haute. Ils pourraient faire basculer la chaise.
- ! Toujours utiliser la chaise haute sur un sol plat.
- ! AVERTISSEMENT Tenir compte des risques engendrés par la présence de foyers ouverts ou autres sources de forte chaleur à proximité du produit.
- ! Pour éviter tout risques de strangulation, NE PAS placer la chaise près de cordes, cordons de stores, rideaux, câbles téléphoniques, etc.
- ! Tous les accessoires de montage doivent être dépliés complètement, attachés et verrouillés convenablement avant l'utilisation du produit.
- ! Vérifiez régulièrement la sécurité des verrous et des accessoires.
- ! Vérifiez régulièrement que votre chaise haute ne contient pas de pièces endommagées, joints lâches, pièces manquantes ou d'arête vive.
- ! Retirez votre enfant de la chaise haute avant de la plier ou de la régler.
- ! Assurez-vous que la chaise haute soit complètement pliée ou dépliée avant de laisser votre enfant en approcher.
- ! Consulter votre distributeur local pour les questions concernant l'entretien, la réparation et le remplacement des pièces.
- ! Pour éviter les brûlures, NE PAS placer de nourriture trop chaude sur le plateau.
- ! AVERTISSEMENT Vérifier que le harnais de sécurité est bien ajusté.
- ! Pour éviter les blessures graves ou la mort en raison d'une chute ou d'une glissade, utilisez toujours le système de retenue et assurez-vous qu'il est correctement ajusté.
- ! AVERTISSEMENT Danger de chute: empêcher l'enfant de grimper sur le produit..
- ! AVERTISSEMENT Tenir votre enfant à l'écart en dépliant et en pliant le produit pour éviter les blessures.
- ! AVERTISSEMENT Tenir compte des risques de basculement lorsque l'enfant peut s'appuyer avec ses pieds contre une table ou toute autre structure.
- ! Toujours utiliser le système de retenue.

## Montage de la chaise haute

Veuillez lire toutes les instructions de ce manuel avant d'assembler et d'utiliser ce produit.

### Ouverture du cadre

1. Tournez le pied arrière vers l'arrière jusqu'à entendre un déclic. ❶

### Montage de l'assise

1. Ouvrez le siège. ❷
2. Installez le siège sur le cadre ❸. Un déclic signifie que le siège est fixé sur le cadre. ❹
  - ! Soulevez le siège pour vérifier qu'il est bien verrouillé.

### Assemblage du coussin de l'assise

Assemblez le coussin de l'assise en suivant ces étapes:

1. Ouvrez le siège.
2. Insérez les deux sangles à travers les ouvertures situées sur le dossier du siège. ❺
  - ! Assurez-vous que les sangles sont bien fixées au dossier pour empêcher le support de siège de glisser.
3. Passez les sangles des harnais à travers les fentes du coussin de l'assise. ❻
4. Enfillez le haut du coussin de l'assise sur le haut du dossier de l'assise.

## Fonctionnement de la chaise haute

### Réglage du repose-jambes

1. Le repose-jambes a deux positions de réglage.
2. Appuyez sur les boutons de réglage sur les deux côtés du siège ❶ - ❶ et actionnez le repose-jambes vers le haut ou vers le bas. ❷ - ❷

### Réglage repose-pieds

1. Le repose-pieds peut se régler sur 3 positions.
2. Pour régler le repose-pieds, détachez le repose-pieds du repose-jambes ❸, choisissez la position désirée, puis rattachez le repose-pieds au repose-jambes. ❹

### Utilisation du harnais

#### Remarques

1. Afin d'éviter les risques de chute grave ou mortelle, toujours attacher l'enfant avec le harnais de sécurité.
2. Assurez-vous que le harnais de sécurité est installé correctement et que l'espace entre le harnais et l'enfant ne dépasse pas l'épaisseur d'un main d'adulte.
3. NE PAS croiser les sangles ventrales du harnais. Cela provoquerait une pression sur le cou de l'enfant.

Attacher le harnais

Faites correspondre la boucle abdominale avec la boucle ventrale, et faites les coulisser ensemble **10** - 1. Insérez les boucles dans la boucle centrale **10** - 2. Un déclic signifie que la boucle est complètement verrouillée **10** - 3. Répéter de l'autre côté.

Détacher le harnais

Appuyer sur le bouton central pour détacher les boucles. **11**

## Réglage de la hauteur du harnais de sécurité

### Remarques

1. Les sangles du harnais doivent passer dans la fente qui est à la même hauteur ou légèrement au-dessus des épaules.
2. Afin d'éviter la chute de votre enfant, vérifiez que les sangles du harnais de sécurité sont réglées à la bonne hauteur.
3. Pour les enfants les plus grands, utilisez les fentes les plus hautes. Pour les enfants les plus petits, utilisez les fentes les plus basses.

1. Choisissez une paire dans celles fentes appropriée. Insérez les sangles du harnais de sécurité dans les fentes du coussin de siège et du dossier. **12** **13**

! Lorsque vous changez les sangles de fentes, assurez-vous que les sangles passent par les mêmes fentes dans le coussin de siège et le dossier.

## Ajustement de la longueur du harnais

1. Faites glisser le curseur pour modifier la longueur des sangles. **14** - 1
2. Tirez les sangles abdominales pour les serrer à la bonne longueur **14** - 2. Appuyez sur le bouton pour les desserrer. **14** - 3

## Utilisation de la tablette

Assemblage de la tablette

1. Fixez le système de retenue de la tablette en poussant sur l'ouverture en bas jusqu'à ce que vous entendiez un « clic » **15** **16**.

! Le système de retenue et la butée de la tablette ne peuvent être montés que dans un sens. Les emplacements sur la fixation du système de retenue et la butée de la tablette doivent être alignés avec les nervures de l'ouverture du bas de la tablette.

2. Insérez les guides du plateau dans les trous du siège prévus à cet effet, et poussez le plateau vers l'avant jusqu'à entendre un déclic. **17** Pour détacher le plateau, appuyez sur le bouton situé sous le plateau et tirez-le. **18**

! La butée doit être installée sur le plateau avant utilisation. Une fois la butée installée, ne pas essayer de l'enlever.

! Faites preuve de prudence lors de l'installation, du plateau, il peut se détacher du siège s'il est mal fixé.

Réglage de la tablette

1. Le plateau a 3 positions. La distance entre votre enfant et le plateau peut être ajustée au besoin.
2. Pressez le bouton sous le plateau et ajustez le plateau sur la position souhaitée, puis relâchez le bouton. Si le plateau ne se verrouille pas automatiquement, déplacez-le jusqu'à entendre un déclic. **19**

! Assurez-vous que les deux côtés du plateau sont réglés sur la même position.

! Tirez le plateau vers vous afin de vous assurer que les deux guides sont verrouillés.

Rangement du plateau

1. Lorsque le plateau n'est pas utilisé, il peut être rangé sur les pieds arrière.
2. Placez le plateau sur les pieds arrière et emboîtez-le en place. **20**
3. Le plateau rangé est indiqué sur **20**.

## Utilisation des plateaux amovibles

### Remarques

1. Le couvercle du plateau peut s'utiliser avec le plateau. Il peut également rester en place lorsque le plateau est rangé.
2. Lorsqu'il est posé sur une table, le couvercle peut faire office de plateau de service.

1. Pour fixer le couvercle du plateau, positionnez-le au-dessus du plateau et appuyez jusqu'à ce que la languette s'enclenche. **21**
2. Pour retirer le couvercle, saisissez la languette et tirez vers le haut, puis soulevez le couvercle. **22**

## Réglage de la hauteur du siège

1. Il y a 7 positions de hauteur. La hauteur du siège peut être ajustée en fonction de la hauteur de votre table, ce qui permet à votre enfant de prendre ses repas en famille.

! **NE PAS régler la hauteur du siège lorsque l'enfant est assis dans la chaise.**

2. Pour ajuster la hauteur, appuyez sur les boutons de réglage des deux côtés de la chaise **23** - 1, et montez ou baissez le siège jusqu'à la position désirée. **23** - 2

## Réglage de l'inclinaison

! **NE PAS régler l'inclinaison du siège lorsque l'enfant est assis dans la chaise.**

1. Il y a 3 positions d'inclinaison.
2. Pressez le bouton à l'arrière du siège **24** - 1 et appuyez ou tirez sur le siège **24** - 2 pour régler l'inclinaison sur la position souhaitée.

## Pliage de la chaise haute

! **NE PAS plier la chaise haute lorsque l'enfant est assis dans la chaise.**

Pliez la chaise haute en suivant ces étapes:

1. Enlevez le plateau avant de plier la chaise haute.
2. Pour le stockage le plus compact, réglez le siège sur la position la plus basse et réglez le repose-jambes à l'horizontale ou à plat. **25**
3. Pliez le siège. **26**
4. Pliez le cadre. **27**
5. Rangez le plateau sur les pieds arrière. **28**

## Détacher le coussin de l'assise.

1. Détachez le harnais à 5 points.
2. Tirez les sangles par l'arrière du coussin de siège. 😊
3. Retirez les deux sangles de l'arrière du siège pour détacher le coussin de siège. 😊

## Accessories

Les accessoires proposés peuvent être vendus séparément ou ne pas être disponibles suivant les régions.

### Installation du petit plateau

Si vous avez besoin du petit plateau, vous reporter au schéma 31 pour l'installation.

### Insert de plateau

L'insert de plateau peut s'utiliser avec le plateau. Il peut également rester en place lorsque le plateau est rangé.

Lorsqu'il est posé sur une table, l'insert peut faire office de plateau de service.

Pour fixer l'insert de plateau, positionnez-le au-dessus du plateau et appuyez jusqu'à ce que la languette s'enclenche. 32

## Conseils d'entretien

- ! Les plateaux amovibles sont lavables au lave-vaisselle.
- ! Nettoyez le siège avec une éponge et de l'eau savonneuse. Ne JAMAIS utiliser d'eau de Javel.
- ! Laissez sécher le coussin de l'assise à l'ombre. Ne JAMAIS utiliser le sèche-linge.
- ! Pour nettoyer le cadre, essuyez-le avec un chiffon humide et un détergent doux, puis effacez toute trace d'humidité avec un chiffon sec.
- ! NE PAS utiliser de détergent neutre non dilué, d'essence ou autre solvant organique pour laver la chaise haute, cela pourrait causer des dommages à la chaise.
- ! De temps en temps, vérifiez si votre chaise haute comporte des signes d'usure, ainsi que des pièces ou des tissus déchirés. Remplacer les pièces si nécessaire avec des éléments agréés par le fabricant.
- ! Si la chaise haute n'est pas utilisée pendant une longue période de temps, veuillez la stocker dans un lieu inaccessible à votre enfant.

# Notes

Wir begrüßen Sie herzlich in der Joie-Familie! Wir freuen uns, nun ein Teil Ihres Lebens und des Lebens Ihrer Kleinsten zu sein. Mit dem Joie MIMZY™ nutzen Sie einen hochwertigen, umfassend zertifizierten Kinderstuhl, der den europäischen Sicherheitsstandards EN 14988:2017+A1:2020 entspricht. Dieses Produkt ist für Kinder im Alter von 6 bis 36 Monaten geeignet. Bitte lesen Sie dieses Handbuch sorgfältig durch und befolgen Sie jeden einzelnen Schritt, damit Ihr Kind gemütlich sitzt und optimal geschützt ist.

## WICHTIG! BEWAHREN SIE DIESE GEBRAUCHSANWEISUNG BITTE AUF!

Besuchen Sie uns auf [joiebaby.com](http://joiebaby.com). Hier können Sie Handbücher herunterladen und weitere aufregende Produkte von Joie entdecken!

Besuchen Sie unsere Website [joiebaby.com](http://joiebaby.com), um mehr über unsere Gewährleistungsbedingungen zu erfahren.

### Inhalte

Abbildungen	1-6
WARNUNGEN	25
<b>Hochstuhlzusammenbau</b>	<b>26</b>
Offener Rahmen	26
Sitzzusammenbau	26
Sitzkissen befestigen	26
<b>Hochstuhlnutzung</b>	<b>26</b>
Einstellung der Wadenstütze	26
Einstellung der Fußstütze	26
Schnallengebrauch	26
Höhenverstellung für Schultergurtnutzung	27
Längenverstellung für Gurt	27
Halterungsnutzung	27
Abdeckung für Tablett	28
Sitzhöhenverstellung	28
Neigungswinkel verstellen	28
<b>Hochstuhl zusammenklappen</b>	<b>28</b>
<b>Sitzkissen entnehmen</b>	<b>29</b>
Pflege und Wartung	29

### Notfall

Im Notfall oder bei einem Unfall ist es äußerst wichtig, dass Sie Ihrem Kind erste Hilfe leisten und es umgehend medizinisch versorgen lassen.

## Produktinformationen

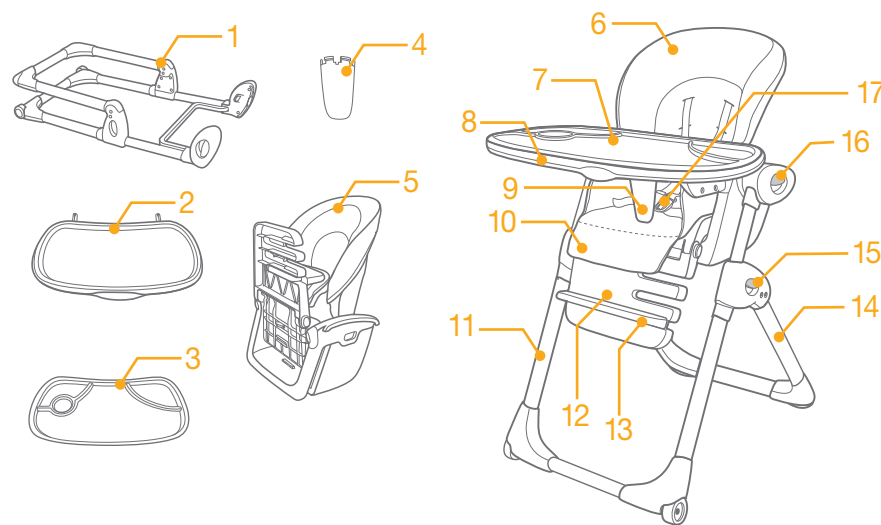
Lesen Sie diese Bedienungsanleitung sorgfältig vor Gebrauch durch. Sollten Sie zusätzliche Fragen haben, kontaktieren Sie bitte Ihren Händler.

Produkt	Mimzy Hochstuhl, Mimzy 2in1 Hochstuhl
Geeignet für	Kinder mit einem Gewicht bis zu 15 kg (6-36 Monate)
Materialien	Plastik, Metal, Fabrikstoffe
Patentnr.	Patentvergabe steht noch aus
Made in	China
Markenname	Joie
Webseite	<a href="http://www.joiebaby.com">www.joiebaby.com</a>
Hersteller	Allison GmbH

### Teileliste

Gehen Sie vor dem Beginn des Zusammenbaus sicher, dass kein Teil fehlt. Sollten Teil fehlen, kontaktieren Sie bitte Ihren Händler. Für den Zusammenbau sind keine Werkzeuge notwendig.

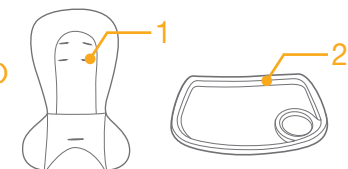
1 Rahmen	7 Tabletabdeckung	13 Fußstütze
2 Tablett	8 Tablett	14 Hinteres Standbein
3 Tabletabdeckung	9 Tablettflügel	15 Zusammenfaltknopf
4 Tablettflügel	10 Sitzkissen	16 Knopf für Höhenverstellung
5 Sitz	11 Vorderes Standbein	17 Fünfpunktgurt
6 Sitzlehne	12 Wadenstütze	



### Zubehör

(nur im Lieferumfang des Mimzy 2 in 1 enthalten)

- 1 Sitzkissen (bei bestimmten Modellen)
- 2 Tabletteinlage (bei bestimmten Modellen)



## WARNUNGEN

- ! Bitte lesen Sie die Anweisungen in dieser Anleitung bevor Sie mit dem Zusammenbau dieses Produktes beginnen.
- ! Der Zusammenbau sollte von einem Erwachsenen vorgenommen werden.
- ! Bitte bewahren Sie die Anleitung für spätere Einsichtnahme auf.
- ! Dieses Produkt ist für Kinder im Alter zwischen sechs und 36 Monaten geeignet (unter 15 kg).
- ! Nichtbeachtung dieser Warnungen kann in schwerwiegenden Verletzung mit möglicher Todesfolge resultieren.
- ! NIEMALS Änderungen an diesem Hochstuhl vornehmen oder zusammen mit Komponenten anderer Hersteller nutzen.
- ! NIEMALS den Hochstuhl nutzen, falls Teile kaputt und verschlissen sind oder fehlen.
- ! NIEMALS den Hochstuhl nutzen, falls nicht alle Komponenten korrekt eingebaut und justiert sind.
- ! ACHTUNG! Lassen Sie Ihr Kind niemals unbeaufsichtigt. Halten Sie Ihr Kind immer im Blickfeld.
- ! Um das Risiko von Verletzung oder Tod durch Herumschleudern zu minimieren, sichern Sie Ihr Kind immer sachgemäß in dem Sitz.
- ! Befolgen Sie die Anleitung sorgfältig, um sicherzugehen, dass die Gurte richtig anliegen.
- ! Sichern Sie Ihr Kind zu jeder Zeit mit den Sicherheitsgurten, so lange es in dem Stuhl in aufrechter oder geneigter Position sitzt. Das Tablett ist nicht dafür geeignet allein Ihr Kind in dem Hochstuhl zu halten.
- ! Nutzen Sie NIEMALS den Hochstuhl, falls Ihr Kind nicht ohne fremde Hilfe darin sitzen kann.
- ! Es wird empfohlen das Produkt nur dann für das aufrechte Sitzen zu nutzen, falls das Kind bereits ohne fremde Hilfe selbst aufrecht sitzen kann.
- ! Erlauben Sie Ihrem Kind NIEMALS auf dem Stuhl zu stehen.
- ! Heben und tragen Sie NIEMALS den Hochstuhl mit einem Kind darin.
- ! Erlauben Sie NIEMALS Kindern mit dem oder am Hochstuhl zu spielen, so lange ein Kind darin sitzt.
- ! Erlauben Sie Ihrem Kind NIEMALS sich zu weit über die Seite des Hochstuhls zu beugen, da er dadurch aus der Balance geraten und umfallen könnte.
- ! Platzieren Sie NIEMALS schwere Taschen, Pakete oder andere Objekte auf dem Hochstuhl, weil er dadurch umkippen könnte.
- ! Nutzen Sie den Stuhl nur auf einem flachen, ebenen Boden.
- ! Halten Sie offenes Feuer oder andere heiße Quellen, wie elektrische Heizstäbe, Gas etc. von der Umgebung des Hochstuhls fern.
- ! Um die Gefahr von Erdrosselung zu vermeiden platzieren Sie NIEMALS den Stuhl in Umgebungen, in denen sich Kordeln oder Stricke, wie zum Beispiel Telefonkabel, Gardinenzüge etc. befinden.
- ! Alle Zubehörteile sollten vor dem Gebrauch des Hochstuhls komplett ausgeklappt, befestigt und zusammengefügt sein.
- ! Checken Sie zur Sicherheit regelmäßig die Verschlüsse und Zusammenschlüsse.
- ! Inspizieren Sie regelmäßig das Produkt auf schadhafte Hardware, lose Zusammenschlüsse, fehlende Teile oder scharfe Kanten.
- ! Nehmen Sie Ihr Kind aus dem Hochstuhl, sobald Sie diesen zusammenfallen oder justieren möchten.
- ! Gehen Sie sicher, dass der Sitz komplett zusammen- oder ausgeklappt ist, bevor Sie Ihr Kind in die Nähe des Hochstuhls lassen.
- ! Konsultieren Sie Ihren Händler für Fragen zu Wartung, Reparatur oder Auswechslung von Komponenten.
- ! Um Verbrennungen zu verhindern NIEMALS heißes Essen auf die Tablettablage legen.
- ! WARNUNG Vergewissern Sie sich, dass der Sicherheitsgurt richtig befestigt ist.
- ! ACHTUNG: Lassen Sie das Kind nie unbeaufsichtigt.
- ! Benutzen Sie immer die Sicherheitsgurte.
- ! Fallrisiko: Lassen Sie Kinder nicht auf das Produkt klettern.
- ! Achten Sie darauf, dass das Produkt nicht in der Nähe von offenem Feuer und anderen Hitzequellen aufgestellt wird.
- ! Vergewissern Sie sich, dass Ihr Kind beim Aufklappen und Zusammenklappen des Wagens außerhalb der Reichweite ist, um Verletzungen zu vermeiden
- ! Es besteht das Risiko, dass das Produkt umkippen könnte, wenn das Kind die Füße gegen einen Tisch oder einen anderen Gegenstand drückt.
- ! Benutzen Sie das Produkt nicht, wenn nicht alle Teile ordnungsgemäß montiert und justiert sind.
- ! Immer das Rückhaltesystem benutzen.

## Hochstuhlzusammenbau

Bitte lesen Sie alles sorgfältig durch, bevor Sie mit dem Zusammenbau und dem Gebrauch des Produktes beginnen.

### Offener Rahmen

1. Rotieren Sie das hintere Standbein bis ein vernehmbares "Klick" zu hören ist. ①

### Sitzzusammenbau

1. Öffnen Sie den Sitz. ②
  2. Setzen Sie den Sitz in den Rahmen ein ③. Ein hörbares „Klick“ deutet an, dass der Sitz sicher im Rahmen liegt. ④
- ! Heben Sie den Sitz hoch, um sicherzugehen, dass er richtig eingerastet ist.

### Sitzkissen befestigen

Befestigen Sie das Sitzkissen auf folgende Weise:

1. Öffnen Sie den Sitz.
  2. Stecken Sie die zwei Riemen durch die Öffnungen in der Sitzrückseite. ⑤
- ! Achten Sie bitte darauf, dass die Riemen fest mit der Sitzrückseite verbunden sind, damit das Sitzkissen nicht verrutschen kann.
3. Stecken Sie sämtliche Gurte durch die Schlitze im Sitzkissen. ⑥
  4. Ziehen Sie das Sitzkissen über die Oberseite der Sitzrückseite.

## Hochstuhlgebrauch

### Wadenstütze justieren

1. Die Wadenstütze verfügt über zwei Positionseinstellungen.
2. Drücken Sie die Justage-Knöpfe auf beiden Seiten des Sitzes ⑦ - 1 und rotieren Sie die Wadenstütze nach unten oder oben. ⑦ - 2

### Fußstütze justieren

1. Die Fußstütze kann auf drei Positionen eingestellt werden.
2. Für die Justage der Fußstütze entnehmen Sie die Wadenstütze ⑧, wählen Sie eine gewünschte Position aus und setzen Sie die Fußstütze wieder auf die Wadenstütze ein. ⑨

### Schnallennutzung

#### Hinweis

1. Für die Vermeidung von schweren Unfällen mit möglicher Todesfolge sichern Sie immer Ihr Kind in dem Sitz.
2. Gehen Sie sicher, dass der Gurt richtig angebracht ist und der Zwischenraum zwischen dem Gurt und dem Kind nicht größer ist, als die Hand eines Erwachsenen.
3. Überkreuzen Sie NIEMALS die Schultergurte, da dadurch Druck auf das Genick des Kindes ausgeübt wird.

Schnalle schließen

Fügen Sie den Hüftgurt mit dem für die Schultern zusammen **10** - 1. Fügen Sie die Schnallen in der Mittelschnalle zusammen **10** - 2. Ein „Klick“ zeigt an, dass die Schnalle komplett eingerastet ist **10** - 3. Wiederholen Sie dies für die andere Seite.

Schnalle lösen

Drücken Sie den mittleren Knopf, um die Schnalle zu lösen. **11**

## Justieren Sie die Höhe der Schultergurte

### Hinweis

1. Der Schultergurt faßt in den Schlitz, der sich auf der Höhe der Schultern oder leicht darüber befindet.
2. Um Ihr Kind vor dem Herausfallen aus dem Sitz zu bewahren, setzen Sie es sicher hin und gehen Sie sicher, dass die Schultergurte sich in der richtigen Höhe befinden.
3. Für größere Kinder die oberen, für kleinere Kinder die unteren Schlitzte nutzen.

1. Wählen Sie ein Paar geeigneter Schulterschlitze aus. Fügen Sie die Schultergurte in die Schlitzte des Sitzkissens und der Sitzrückseite ein. **12** **13**  
! Beim Wechsel der Schultergurtschlitzte gehen Sie sicher, dass die Schultergurte durch die richtigen Schlitzte im Sitzkissen und der Sitzrückseite führen.

## Länge für Gurt anpassen

1. Nutzen Sie den Schieberegler, um die Gurtlänge anzupassen. **14** - 1
2. Ziehen Sie den Hüftgurt, um ihn auf die richtige Länge anzupassen **14** - 2. Drücken Sie den Knopf, um den Hüftgurt zu lockern. **14** - 3

## Halterung nutzen

Montage des Trägerelements

1. Bringen Sie das Schrittrückhaltesystem und den Trägerhalter am Trägerelement an, indem Sie diese Teile in die Öffnung an der Trägerunterseite drücken, bis Sie ein „Klicken“ hören **15** **16**.  
! Schrittrückhaltesystem und Trägerhalter lassen sich beide nur in eine Richtung einfügen. Die Schlitzte am Schrittrückhaltesystem und Trägerhalter sollten mit den Rippen in der Öffnung an der Trägerunterseite ausgerichtet sein.
2. Setzen Sie die Tablettführung in die Löcher des Sitzes ein, schieben Sie es forwards, bis Sie ein „Klick“ hören. **17** Um das Tablett herauszunehmen drücken Sie den Knopf unter dem Tablett und schieben Sie es raus. **18**  
! Der Tablettflügel muss vor Gebrauch in das Tablett eingeführt werden. Sobald der Tablettflügel eingesetzt ist, versuchen Sie niemals ihn zu entnehmen.  
! Verstellen Sie das Tablett mit Vorsicht, da das Tablett sich vollständig vom Sitz lösen kann.

Tabletteinstellung

1. Das Tablett verfügt über drei Positionen. Die Distanz zwischen Kind und Tablett kann nach Bedarf eingestellt werden.
2. Drücken Sie den Knopf unter dem Tablett und bewegen Sie es, bis die gewünschte Position erreicht ist. Dann den Knopf loslassen. Falls das Tablett nicht automatisch in die Löcher einrastet, bewegen Sie es, bis Sie ein „Klick“ hören. **19**  
! Gehen Sie sicher, dass beide Seiten der Tablett in der richtigen Position sind.

! Ziehen Sie die Halterung zu sich hin und gehen Sie sicher, dass beide Schienenführungen sicher sind.

Halterung lagern

1. Wenn das Tablett nicht genutzt wird, können Sie sie an den hinteren Standbeinen lagern.
2. Platzieren Sie das Tablett über den hinteren Standbeinen und lassen Sie die Halterungsschiene einrasten. **20**
3. Die Tablettlagerung wird gezeigt in **20**.

## Tablett und Abdeckung verwenden

### Hinweis

1. Das Tablett kann mit oder ohne Abdeckung verwendet werden. Die Abdeckung kann auf dem Tablett verbleiben, wenn es verstaubt wird.
2. Auf dem Esstisch kann die Tablettabdeckung als Unterlage verwendet werden.

1. Um die Tablettabdeckung zu befestigen, legen Sie es auf das Tablett und drücken Sie es nach unten, bis es einrastet. **21**
2. Um die Abdeckung zu entfernen, ziehen Sie den zur Sitzfläche zeigenden Griff nach oben und heben Sie dann die Abdeckung ab. **22**

## Sitzhöhe justieren

1. Es gibt sieben vertikale Positionen. Der Sitz kann je nach Anforderung auf die gewünschte Höhe justiert werden, wodurch es bequemer für Ihr Kind ist, am gemeinsamen Essen mit Erwachsenen teilzunehmen.  
! **Justieren Sie NIEMALS die Höhe mit einem Kind auf dem Sitz.**
2. Für die Justage der Sitzhöhe drücken Sie die Knöpfe an beiden Seiten des Stuhls **23** - 1, und senken oder erhöhen Sie den Sitz auf die gewünschte Position. **23** - 2

## Neigungswinkel einstellen

! **Justieren Sie NIEMALS den Neigungswinkel mit einem Kind im Sitz.**

1. Es gibt drei Neigungspositionen.
2. Drücken Sie den Knopf auf der Rückseite des Sitzes **24** - 1 und justieren Sie durch Hoch- oder Herunterziehen **24** - 2 die Neigungsposition der Rücklehne.



## Hochklappstuhl

! **Klappen Sie NIEMALS den Stuhl mit einem Kind drin hoch.**

Klappen Sie den Stuhl hoch, indem Sie die folgenden Schritte befolgen:

1. Entnehmen Sie vor dem Hochklappen die Halterung.
2. Für die einfachste Lagerung senken Sie den Sitz auf seine niedrigste Position und justieren Sie die Wadenstütze in horizontale oder flache Position. **25**
3. Klappen Sie den Sitz zusammen. **26**
4. Klappen Sie den Rahmen zusammen. **27**
5. Lagern Sie das Tablett auf den hinteren Standbeinen. **28**

## Sitzkissen abnehmen

1. Lösen Sie die Fünfpunkteschnalle.
2. Ziehen Sie den Gurtzug durch die Hinterseite des Sitzkissens. 
3. Entfernen Sie die zwei Sicherheitsriemen von der Hinterseite des Sitzes, um das Kissen herauszunehmen. 

## Accessories

Accessoires variieren je nach Region und sind ggf. separat erhältlich.


### Sitzverkleinerer verwenden

Bei Bedarf befestigen Sie den Sitzverkleinerer wie in Bild  dargestellt.

### Snacktablett

Das Tablett kann mit oder ohne Snacktablett verwendet werden. Das Snacktablett kann auf dem Tablett verbleiben, wenn es verstaubt wird.

Auf dem Esstisch kann das Snacktablett als Unterlage verwendet werden.

Um das Snacktablett zu befestigen, legen Sie es auf das Tablett und drücken Sie es nach unten, bis es einrastet. 

## Wartung und Pflege

- ! Das Tablett und die Tabletteinlage sind spülmaschinenfest.
- ! Ihr Sitzpolster kann punktuell mit einem Schwamm und Seifenwasser gereinigt werden. Verwenden Sie KEIN Bleichmittel.
- ! Hängen Sie das gewaschene Sitzkissen ungeschleudert an einem schattigen Ort zum Trocknen auf. Geben Sie es NICHT in einen Trockner.
- ! Für die Reinigung des Rahmes nutzen Sie ein feuchtes Tuch und einen milden Reiniger. Hinterher alle Spuren von Feuchtigkeit mit einem trockenen Tuch abwischen.
- ! Nutzen Sie NIEMALS gestreckte oder neutrale Reinigungsmittel, Terpentin oder andere organischen Lösungen, um diesen Hochstuhl zu reinigen, da dadurch Schäden am Hochstuhl entstehen könnten.
- ! Prüfen Sie von Zeit zu Zeit die Verschleißteile, Nähte und sonstige Komponenten von Ihrem Hochstuhl.
- ! Sollte der Hochstuhl für eine längere Zeit nicht in Gebrauch sein, sollte er an einem Ort gelagert werden, der für Kinder nicht zugänglich ist.

# Notes



# ES Bienvenido a Joie™

¡Enhorabuena por unirse a la familia Joie! Estamos encantados de formar parte de su viaje y del de su pequeño. Cuando use la Trona MIMZY™ estará utilizando una trona de alta calidad homologada bajo la normativa europea de seguridad EN 14988:2017+A1:2020. Lea detenidamente este manual y siga cada paso para garantizar una experiencia satisfactoria y la mejor protección para el niño.

## !!IMPORTANTE! LEA ESTE MANUAL CUIDADOSAMENTE Y CONSÉRVELO PARA FUTURAS CONSULTAS!

Visítenos en [joiebaby.com](http://joiebaby.com) para descubrir muchos más excitantes productos Joie.

Para la información referente a garantía, visite [joiebaby.com](http://joiebaby.com)

### Contenido

Figuras	1-6
ADVERTENCIAS	33
<b>Montaje de la Trona</b>	<b>34</b>
Apertura de la estructura	34
Montaje del asiento	34
Montaje de la funda	34
<b>Funcionamiento de la trona</b>	<b>34</b>
Ajuste del reposapiernas	34
Ajuste del reposapiés	34
Uso del arnés	34
Ajuste de la altura de los tirantes	35
Ajuste de la longitud del arnés	35
Uso de la bandeja	35
Uso del cubrebandeja	36
Ajuste de la altura del asiento	36
Ajuste del reclinado	36
<b>Plegado de la trona</b>	<b>36</b>
<b>Desmontaje de la funda</b>	<b>36</b>
Accesorios	37
Cuidado y Mantenimiento	37

### Emergencia

En caso de emergencia o accidente, es fundamental que su hijo sea atendido por profesionales en primeros auxilios y que reciba tratamiento médico de inmediato.

## Informaciones sobre el producto

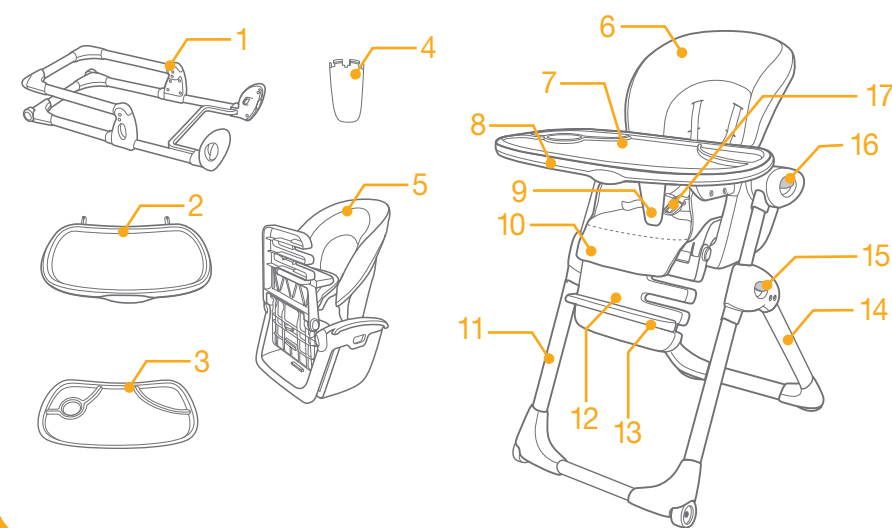
Lea todas las instrucciones de este manual antes de utilizar este producto. Si usted tiene alguna duda, póngase en contacto con su detallista.

Producto	Trona Mimzy, Trona Mimzy 2in1
Adecuado para niños que pesan menos de 15 kg (6 - 36 meses)	
Materiales	plástico, metal, tejido
Número patente.	patente pendiente
Fabricado en	China
Nombre de la marca	Joie
Página Web	<a href="http://www.joiebaby.com">www.joiebaby.com</a>
Fabricante	Allison GmbH

### Lista de piezas

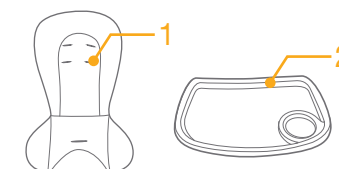
Asegúrese de que todas las piezas están disponibles antes del montaje. Si falta alguna pieza, contacte con el detallista. No se requieren herramientas para su montaje.

1 Estructura	6 Respaldo	11 Pata delantera	16 Botón de regulación de altura
2 Bandeja	7 Cubrebandeja	12 Reposapiernas	17 Arnés de 5 puntos
3 Cubrebandeja	8 Bandeja	13 Reposapiés	
4 Sujeción de la entrepierna	9 Sujeción de la entrepierna	14 Pata trasera	
5 Asiento	10 Funda	15 Botón de plegado	



### Accesorios (Solo incluida en Mimzy 2 in 1)

- 1 Reductor (en algunos modelos)
- 2 Mini bandeja (en algunos modelos)



## ADVERTENCIAS

- ! El montaje debe realizarlo un adulto
- ! Por favor, lea todas las instrucciones de este manual antes de montar y utilizar este producto.
- ! Guarde este manual para futuras consultas
- ! Este producto es adecuado para niños entre 6 y 36 meses de edad (menos de 15 Kg.)
- ! No seguir estas advertencias y las instrucciones de montaje puede causar heridas graves o fatales.
- ! NO HAGA ninguna modificación en esta trona ni la utilice conjuntamente con piezas de otros fabricantes.
- ! NO UTILICE la trona si falta alguna pieza o si hay piezas desgastadas o rotas.
- ! NO UTILICE la trona a no ser que todos los componentes estén correctamente montados y ajustados.
- ! NUNCA deje al niño sin vigilancia. Supervise permanentemente a los niños.
- ! Asegure siempre al niño con el arnés para prevenir las heridas graves o fatales que se podría producir si resbala o se cae.
- ! Siga cuidadosamente estas instrucciones para asegurarse de que el arnés está adecuadamente ajustado.
- ! Asegure siempre al niño con el arnés ya sea con la silla reclinada o vertical. La bandeja no está diseñada para sujetar al niño en la trona.
- ! NO utilice la trona hasta que el niño no pueda mantenerse sentado solo.
- ! Recomendamos utilizar la trona sin reclinar sólo si el niño puede mantenerse sentado sin ayuda.
- ! NO PERMITA que el niño se ponga de pie en la trona.
- ! NO levante ni transporte la trona si el niño está sentado en ella
- ! NO permita que los niños jueguen con la trona o a su alrededor cuando esté ocupada.
- ! NO permita que el niño se apoye en los laterales de la trona, podría estabilizarse y caerle encima.
- ! NO coloque bolsos pesados, paquetes u otros elementos encima de la bandeja. Podrían causar el vuelco de la trona.
- ! Utilice la trona siempre sobre un suelo liso y nivelado.
- ! Tenga cuidado con fogones y otras fuentes de fuego abierto y fuerte calor situados cerca de la trona.
- ! Para prevenir el riesgo de estrangulamiento, NUNCA coloque la trona cerca de cuerdas o cordones tales como las cuerdas de cortinas o cordones de teléfono.
- ! Antes de usar el producto debe abrirse completamente, fijarse adecuadamente y apretarse todos los mecanismos.
- ! Para garantizar la seguridad, revise periódicamente los cierres y ajustes.
- ! Inspeccione periódicamente la trona en busca de piezas dañadas, juntas sueltas, piezas faltantes o bordes cortantes.
- ! Extraiga al niño de la trona antes de plegarla o ajustarla.
- ! Asegúrese de que la trona se ha abierto o cerrado completamente antes de permitir al niño acercarse a ella.
- ! Consulte con el detallista para todo lo relacionado con el mantenimiento, reparaciones y sustitución de piezas.
- ! Para evitar quemaduras, no coloque comida caliente sobre la bandeja.
- ! ATENCIÓN. Asegúrese de que el arnés está perfectamente ajustado.
- ! Utilice siempre el arnés y ajústelo correctamente para prevenir las heridas graves o fatales que el niño se podría producir si resbala o se cae.
- ! Peligro de caídas: evite que su hijo trepe a la trona.
- ! Para prevenir heridas, mantenga al niño alejado cuando pliegue o despliegue la trona.
- ! Tenga cuidado con el riesgo de volcado si el niño puede empujarse con los pies contra una mesa u otras estructuras.
- ! Para productos que monten un sistema de retención: utilícelo siempre.
- ! Use siempre el sistema de retención.

## Montaje de la Trona

Por favor, lea todas las instrucciones de este manual antes de ensamblar la trona.

### Apertura de la estructura

1. Rote la pata trasera hacia atrás hasta que oiga un "click". ❶

### Montaje del asiento

1. Abra el asiento. ❷
  2. Ajuste el asiento sobre la estructura ❸. Si oye un "click", esto significa que la silla está bien fijada a la estructura. ❹
- ! Tire del asiento hacia arriba para verificar que está correctamente instalado.

### Montaje de la funda

Monte la funda siguiendo estos pasos:

1. Abra el asiento
  2. Inserte los dos tirantes a través de los ojales del respaldo. ❺
- ! Asegúrese de que los tirantes estén fijados al respaldo del asiento para evitar que la funda resbale.
3. Pase el resto del arnés por los ojales de la funda. ❻
  4. Coloque la funda por encima del respaldo de la silla.

## Funcionamiento de la trona

### Ajuste del reposapiernas

1. El reposapiernas dispone de 2 posiciones
2. Presione los botones de ajuste de ambos lados del asiento ❷ - 1 y rote el reposapiernas arriba o abajo. ❷ - 2

### Ajuste del reposapiés

1. El reposapiés puede ajustarse en 3 posiciones
2. Para ajustar el reposapiés, extráigalo del reposapiernas ❸, elija la posición deseada y reinstálelo. ❹

### Uso del arnés

#### ATENCIÓN

1. Asegure siempre al niño con los arnés para prevenir daños o el fallecimiento que pueden resultar como consecuencia de las caídas o resbalones.
2. Asegurase que el arnés está montado correctamente y que el espacio entre el arnés y el niño no supera el grosor de la mano de un adulto.
3. NO cruce las correas para los hombros. Esto puede causar presión sobre el cuello del niño.

Cierre de la hebilla

Una un cinturón ventral con el tirante del mismo lado ❷ - 1 e insértelos en la hebilla central ❷ - 2. Un "click" significa que el conjunto está bloqueado ❷ - 3. Repita la operación para el otro lado.

Soltado del arnés

Presione el botón central para abrir el arnés. 

## Ajuste de la altura de los tirantes

### ATENCIÓN




1. Los tirantes deben quedar a la misma altura que los hombros o ligeramente por debajo.
2. Para evitar que el niño pueda caer, después de sentarlo verifique que los tirantes del arnés están a la altura adecuada.
3. Para niños mayores, suba el arnés. Para niños más pequeños use la posición más baja.

1. Elija el par de ojales adecuado. Inserte los tirantes por dentro de los ojales de la funda y del respaldo.



! Cuando cambie la altura, asegúrese de que los tirantes pasan siempre por los ojales de la funda y del respaldo.

## Ajuste de la longitud del arnés



1. Use el ajustador para cambiar la longitud de los arneses.  - 1
2. Tire el arnés para conseguir la longitud deseada.  - 2 Presione el botón para alargar el arnés.  - 3

## Uso de la bandeja

Montaje de la bandeja

1. Fije la sujeción de la entrepierna y las guías de la bandeja en las aberturas de la parte inferior de la bandeja hasta que oiga un "click"  .


! Tanto la sujeción de la entrepierna como las guías de la bandeja sólo pueden montarse en un sentido. Las ranuras de la sujeción de la entrepierna y de las guías de la bandeja deben estar alineadas con el alojamiento de la parte inferior de la bandeja.

2. Inserte las guías de la bandeja en los agujeros del asiento y deslicelas hasta que oiga un "click" . Para extraer la bandeja, apriete el botón bajo la bandeja y extráigala. 

! La sujeción de la entrepierna debe estar montada antes de usar la bandeja. Una vez montada en la bandeja no puede extraerse.

! Ajuste la bandeja con cuidado, ya que puede extraerse completamente de la silla.



Ajuste de la bandeja

1. La bandeja tiene 3 posiciones de profundidad. La distancia entre el niño y la bandeja puede ajustarse a voluntad.
2. Apriete el botón que encontrará debajo de la bandeja, mueva la bandeja a la posición deseada y suelte el botón. Si la bandeja no queda bloqueada en posición, muévela ligeramente hasta que oiga un "click". 

! Asegúrese de que los dos lados están a la misma profundidad

! Tire de la bandeja hacia usted para verificar que ambos lados están bloqueados.



Almacenamiento de la bandeja

1. Cuando no se utiliza, la bandeja puede almacenarse en las patas traseras.
2. Sitúe la bandeja sobre las patas traseras y encájela 
3. La bandeja almacenada se muestra en .

## Uso del cubrebandeja

### ATENCIÓN

1. El cubrebandeja puede usarse conjuntamente con la bandeja. Puede también dejarse instalado cuando se guarda la bandeja.
2. Cuando se utilice sobre una mesa puede usarse como bandeja para servir la comida.

1. Para encajar el cubrebandeja, colóquelo sobre la bandeja y presione hacia abajo hasta que quede encajado. 
2. Para extraer el cubrebandeja, coja la lengüeta situada en la parte más cercana al asiento, tire hacia arriba y levántelo. 

## Ajuste de la altura del asiento

1. Dispone de 7 alturas diferentes. La trona puede ajustarse a la altura adecuada dependiendo de la altura de la mesa, lo que favorece las comidas en familia.

! **NUNCA ajuste la altura de la trona con el niño sentado en ella.**

2. Para ajustar la altura, apriete los botones de ajuste de altura situados a cada lado de la silla  - 1 y suba o baje el asiento a la posición deseada.  - 2

## Ajuste del reclinado





! **NO ajuste el reclinado de la silla cuando el niño esté sentado.**

1. Hay 3 posiciones de reclinado.
2. Presione el botón de la parte posterior del respaldo del asiento  - 1 y tire o empuje  - 2 para ajustar el respaldo a la posición deseada.



## Plegado de la Trona

! **NUNCA pliegue la trona con el niño sentado.**

Pliegue la trona siguiendo estos pasos:

1. Extraiga la bandeja antes de plegarla.
2. Para un plegado más compacto, baje el asiento a la posición más baja y ajuste al reposapiernas a la posición horizontal 
3. Pliegue el asiento 
4. Pliegue la estructura 
5. Almacene la bandeja en las patas traseras 


## Desmontaje de la funda

1. Abra el arnés de 5 puntos.
2. Tire de los arneses a través del respaldo de la funda. 
3. Extraiga los arneses del respaldo de la silla para poder liberar la funda. 

## Accesorios

Los accesorios podrían venderse separadamente o no estar disponibles dependiendo de la región.

### Reductor

En caso de precisar un reductor, móntelo como se muestra en .

### Mini bandeja

La mini bandeja puede usarse conjuntamente con la bandeja. Puede también dejarse instalada cuando se guarda la bandeja.

Cuando se utilice sobre una mesa puede usarse como bandeja para servir la comida.

Para instalar la mini bandeja, colóquela sobre la bandeja y presione hasta abajo hasta que quede fijada.



## Cuidado y Mantenimiento

- ! El cubrebandeja y la mini bandeja pueden lavarse en lavavajillas
- ! Puede eliminar las manchas de la funda con una esponja y agua jabonosa. No use lejía.
- ! Deje secar la funda al aire. No la ponga en la secadora.
- ! Para limpiar la estructura utilice un paño húmedo y detergente suave. A continuación séquela.
- ! NO use detergente neutro sin diluir, gasolina u otro disolvente orgánico para limpiar la trona. Puede dañarla.
- ! De vez en cuando verifique que no haya piezas o materiales desgastados o jirones. Sustituya las piezas dañadas.
- ! Si la trona no se va a utilizar por un largo período de tiempo, colóquela donde el niño no pueda acceder a ella.

# Notes

## PT Bem-vindo à Joie™

Parabéns por se tornar parte da família Joie! Estamos muito entusiasmados por fazer parte da sua vida e da vida do seu filho. Enquanto estiver a utilizar a Joie MIMZY™, está a utilizar uma cadeira alta totalmente certificada e de elevada qualidade, aprovada pelas normas de segurança EN 14988:2017+A1:2020. Este produto é apropriado para crianças entre os 6 e os 36 meses. Leia atentamente este manual e siga cada passo para assegurar uma experiência enriquecedora e a melhor protecção para o seu filho.

# IMPORTANTE! GUARDE ESTE MANUAL PARA CONSULTA FUTURA!

Visite-nos em [joiebaby.com](http://joiebaby.com) para descarregar manuais e ver mais produtos entusiasmantes da Joie!

Para informações de garantia, visite nosso website em [joiebaby.com](http://joiebaby.com)

## Contéudo

Imagens AVISOS	1-6 41
<b>Montagem da cadeira para refeição de encosto alto</b>	<b>42</b>
Quadro fechado	42
Assembléia cadeira	42
Montagem do tecido do assento	42
<b>Funcionamento da cadeira para refeição de encosto alto</b>	<b>42</b>
Regulagem do suporte para perna	42
Regulagem do apoio para os pés	42
Utilização da fivela	42
Regulagem da altura para cintos de ombro	43
Regulagem do comprimento para os cintos	43
Utilização da bandeja	43
Utilização da tampa da bandeja	44
Regulagem da altura para o assento	44
Regulagem da inclinação	44
<b>O dobrar da cadeira para refeição de encosto alto</b>	<b>44</b>
<b>Destacamento do acolchoamento para o assento</b>	<b>45</b>
Cuidado e Manutenção	45

## Emergência

Em caso de emergência ou acidente, o mais importante é fornecer primeiros socorros e prestar assistência médica ao seu filho imediatamente.

## Informações produto

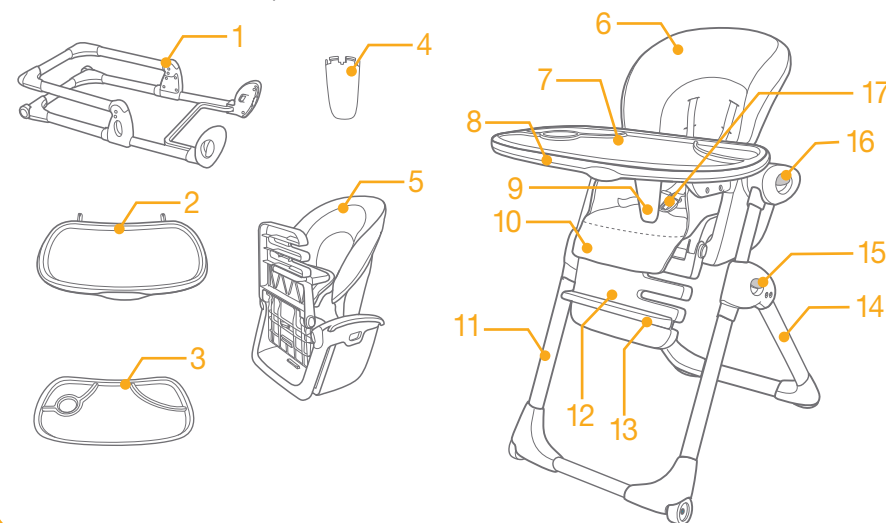
Leia todas as instruções contidas neste manual antes de usar este produto. Se tiver outras questões, contacte o seu distribuidor local.

Produto	Cadeira para refeição de encosto alto Mimzy, Cadeira para refeição de encosto alto Mimzy 2in1
Apropriado para	Crianças com peso inferior a 15 kg (6-36 meses)
Materiais	Plástico, metal, tecido
No. patente	Patente pendente
Fabricado na	China
Nome da marca	Joie
Site web	<a href="http://www.joiebaby.com">www.joiebaby.com</a>
Produtor	Allison GmbH

## Lista de peças

Antes da montagem certifique-se que todas as peças estão disponíveis. Se qualquer peça estiver faltando, entre em contato com o seu distribuidor local. Para a montagem não são necessárias ferramentas.

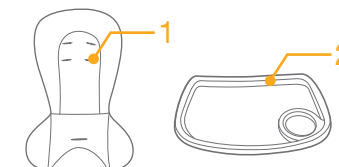
1 Quadro	6 Encosto	11 Pé frontal	16 Botão de ajuste de altura
2 Bandeja	7 Cubra a bandeja	12 Apoio para os pés	17 Fivela com preensão em 5 pontos
3 Cubra a bandeja	8 Bandeja	13 Apoio para os pés	
4 Buzina bandeja	9 Buzina bandeja	14 Pé posterior	
5 Cadeiras	10 Acolchoamento para o assento	15 Botão dobrável	



## Acessórios

(Incluído apenas no Mimzy 2 em 1)

- 1 Almofada do assento (em determinados modelos)
- 2 Inserção bandeja (em determinados modelos)



## AVISOS

- ! Leia todas as instruções contidas neste manual antes de montar e usar este produto.
- ! O produto pode ser montado somente por adultos.
- ! Guarde o manual de instruções para referência futura.
- ! Este produto é adequado para crianças com idade entre 6 e 36 meses (sob 15 kg).
- ! Falta de respeito destas advertências e instruções de montagem pode provocar ferimentos graves ou morte.
- ! NÃO faça modificações nesta cadeira para refeição de encosto alto ou não use-o com as peças de outros fabricantes.
- ! NÃO utilize a cadeira para refeição de encosto alto se as peças estiverem danificadas, quebradas ou faltando.
- ! NÃO utilize a cadeira para refeição de encosto alto, a menos que todos os componentes estão instalados e ajustados corretamente.
- ! ADVERTÊNCIA Nunca deixe sua criança sozinha. Supervisione as crianças constantemente.
- ! Assegure sempre as crianças nos cintos de segurança para evitar ferimentos graves ou morte que possam ocorrer de cair ou escorregar.
- ! Siga estas instruções cuidadosamente para certificar-se que os cintos são montados corretamente.
- ! A qualquer momento assegurar as crianças nos cintos fornecidos, tanto na posição vertical e inclinada. A bandeja é projetada para manter a criança no produto.
- ! NÃO utilize a cadeira para refeição com encosto alto até que a criança fica sentada sem ajuda.
- ! Recomendamos o uso do produto em posição vertical apenas por crianças capazes de se sentar sem ajuda.
- ! NÃO permita que sua criança sente sob a cadeira para refeição de encosto alto.
- ! NÃO leve e carregue a cadeira para refeição com encosto alto se estiver ocupado.
- ! NÃO permita que as crianças brinquem com ou em torno da cadeira para refeição de encosto alto que está ocupado.
- ! NÃO permita que as crianças inclinem-se sobre a borda da cadeira para refeição com encosto alto. Ele pode desequilibrar a cadeira.
- ! NÃO coloque bolsas, pacotes ou outras coisas pesadas na cadeira de encosto alto. Isto pode causar a inclinação da cadeira.
- ! Use sempre em um soalho raso e plano.
- ! Cuidado com o risco de chamas e outras fontes de calor tais como incêndios de gás, bares elétricas, etc. na proximidade da cadeira de encosto alto.
- ! Para evitar o risco de estrangulamento, NÃO coloque o produto num local onde são os cabos, tais como cabos de persianas, cortinas, de telefone etc.
- ! Antes de usar o produto, todos os acessórios de montagem devem ser abertos completamente, apertados e fechados corretamente.
- ! Por razões de segurança, verifique as fechaduras e os acessórios.
- ! Inspeccionar o produto regularmente por danos das peças de metal, as ligações soltas, peças faltando ou as arestas/bordas afiadas.
- ! Afaste o bebê antes de dobrar o produto ou antes de ajustar o assento de encosto alto.
- ! Certifique-se que o produto foi dobrado ou aberto totalmente antes de deixar a criança aproximar-se de isso.
- ! Consulte o seu concessionário local sobre os problemas de manutenção, reparação e substituição das peças.
- ! Para evitar as queimaduras, NÃO coloque alimentos quentes na bandeja.
- ! AVISO Certifique-se o cinto de segurança está corretamente instalado.
- ! AVISO Nunca deixe sua criança desatendida
- ! Para evitar ferimentos graves ou morte por queda ou deslizamento, sempre use o sistema de retenção e garanta que ele está corretamente instalado.
- ! Perigo de queda: Impeça que seu filho suba na cadeira alta.
- ! Esteja consciente do risco de incêndio e outras fontes de calor forte, nas proximidades da cadeira alta.
- ! Mantenha as crianças longe quando desdobrando e dobrando o produto para evitar ferimentos.
- ! Esteja ciente do risco de inclinação quando a criança puder empurrar seus pés contra uma mesa ou qualquer outra estrutura
- ! Utilize sempre o sistema de retenção.

## O montagem da cadeira para refeição de encosto alto

Leia todas as instruções contidas neste manual antes de montar e usar este produto.

### Quadro aberto

1. Gire atrás o pé posterior até ouvir um clique. ❶

### O montagem da cadeira para refeição

1. Abra a cadeira. ❷
2. Ajustar o assento no quadro ❸. Quando se ouve um clique, significa que é fixado ao quadro. ❹
  - ! Levante o assento para certificar-se de que ele está firmemente fixado.

### Montagem do tecido do assento

Monte o tecido do assento seguindo os passos abaixo:

1. Abra ao assento.
2. Coloque as duas tiras nas aberturas do encosto. ❺
  - ! Por favor, tenha atenção de que estas tiras estejam devidamente presas no encosto para impedir que a almofada do assento escorregue.
3. Puxe as tiras do cinto de segurança através da almofada do encosto e assento. ❻
4. Dobre a almofada do assento na parte superior do assento.

## Funcionamento da cadeira para refeição de encosto alto

### Regulagem do apoio para perna

1. O apoio para perna tem dois ajustes de posição.
2. Pressione os botões de controle em ambos os lados do assento ❶ - 1 e gire o apoio para as pernas para cima ou para baixo. ❶ - 2

### Regulagem do apoio para pés

1. O apoio para pés pode ser ajustado em 3 posições.
2. Para ajustar o apoio para pés, afaste o apoio para pés do suporte para as pernas de apoio ❷, escolha a posição desejada e recoloque o apoio para pés no suporte para pernas. ❸

### Utilização da fivela

#### Nota

1. Assegure sempre a criança nos cintos para evitar o ferimento grave ou morte que possam ocorrer de cair ou escorregar.
2. Certifique-se que o cinto de segurança é montado corretamente e o espaço entre o cinto e a criança que uma largura de mão adulta.
3. NÃO cruze os cintos para os ombros. Isso fará pressão sobre o pescoço da criança.

Fivela de bloqueio

Ajuste a fivela da cintura com a fivela para o ombro e arrastá-los juntos **10** - 1. Digite as fivelas na fivela central **10** - 2. A fivela é completamente bloqueada se ouvir um clique **10** - 3. Repita o procedimento para o outro lado.

Liberção de fivela

Pressione o botão central para abrir as fivelas. **11**

## Regulagem da altura para os cintos de ombros

### Nota

1. Os cintos de ombros devem entrar na fenda que é ao nível ou um pouco acima dos ombros.
2. Para proteger a criança de cair, depois de colocá-lo no assento, verifique se os cintos de ombros são à altura adequada.
3. Para crianças mais altas utilizar as fendas de ombro superiores. Para crianças mais pequenas utilizar as fendas de ombro inferiores.

1. Escolha o par adequado de fendas para ombro. Insira os cintos de ombro nas fendas do acolchoamento e detrás do assento. **12** **13**

! Ao mudar as fendas para os cintos de ombro, certifique-se que os cintos de ombro passam pelas mesmas fendas no acolchoamento para o assento e detrás o assento.

## Regulagem do comprimento para os cintos de segurança

1. Use o dispositivo de regulagem do escorregamento para modificar o comprimento dos cintos de segurança. **14** - 1
2. Puxe os cintos para a cintura para apertá-los ao comprimento apropriado **14** - 2. Pressione o botão para desapertar o cinto da cintura. **14** - 3

## Utilização da bandeja

Montagem da bandeja

1. Coloque a contenção na virilha e bandeja de montagem na bandeja, empurrando para dentro da abertura na parte inferior da bandeja até ouvir um "clique" **15** **16**.  
! Tanto a contenção da virilha e a bandeja de montagem só podem ser montadas em uma direção. As ranhuras na contenção da virilha e montagem da bandeja devem estar alinhadas com as costelas na abertura da parte inferior da bandeja.
2. Insira as guias da bandeja em buracos no assento e deslize para a frente até ouvir um clique. **17** Para remover a bandeja, pressione o botão sob a bandeja e deslize. **18**  
! Antes do uso, a buzina deve ser colocada na bandeja. Uma vez que a buzina é introduzida, não tente removê-la.  
! Tenha cuidado quando você ajustar a bandeja, porque pode ser removida completamente da cadeira.

Regulagem da bandeja

1. Bandeja tem 3 posições. A distância entre a criança ea bandeja pode ser ajustada conforme a necessidade.
2. Pressione o botão sob a bandeja e movê-la para a posição desejada e solte o botão. Se a bandeja

não se bloqueia automaticamente pelos buracos, movê-la até ouvir um clique. **19**

! Certifique-se de que ambos os lados da bandeja estão nas posições adequadas.

! Puxe a bandeja em sua direção para garantir que ambos os guias são seguras.

Armazenamento da bandeja

1. Quando não está em uso, a bandeja pode ser armazenada nos pés traseiros.
2. Coloque a bandeja nos pés traseiros e punha suas guias em seu lugar. **20**
3. O armazenamento da bandeja é apresentado em **20**.

## Utilizar a capa do tabuleiro

### Nota

1. A capa do tabuleiro pode ser utilizada em conjunto com o tabuleiro. Pode também permanecer encaixada quando o tabuleiro for guardado.
2. Quando colocada na mesa de jantar, a capa do tabuleiro pode ser utilizada como bandeja.

1. Para encaixar a capa do tabuleiro, coloque-a sobre o tabuleiro e pressione até que a patilha encaixe. **21**

2. Para retirar a capa do tabuleiro, segure na patilha próximo da área do assento e levante a capa do tabuleiro. **22**

## Regulagem da altura do assento

1. Há 7 posições de altura. A cadeira para refeição pode ser ajustada para a altura adequada de acordo com a sua mesa, assim que sua criança pode comer com a família de uma maneira confortável.  
! NÃO ajustar a altura do assento, se a criança está na cadeira.
2. Para ajustar a altura, pressione os botões de ajuste de altura em ambos os lados do assento **23** - 1, e levante ou baixe a cadeira na posição desejada. **23** - 2

## Regulagem da altura do assento

! NÃO ajustar a inclinação da cadeira para refeição, se a criança está no assento.

1. Há 3 posições de inclinação.
2. Pressione o botão de trás da cadeira **24** - 1 e pressione ou arraste **24** - 2 para ajustar o encosto para a inclinação desejada.



## O dobrar da cadeira de encosto alto

! NÃO dobre o assento se a criança está na cadeira.

Dobre a cadeira de encosto alto seguindo esses passos:

1. Retire a bandeja antes de dobrar a cadeira de encosto alto.
2. Para o armazenamento mais compacto, coloque o assento na posição mais baixa e ajuste o apoio para as pernas para a posição horizontal ou plana. **25**
3. Dobre o assento. **26**
4. Dobre o quadro. **27**
5. Armazene a bandeja sobre os pés traseiros. **28**

## Destacamento do acolchoamento para o assento

1. Desdobre a fivela de aperto de cinco pontos.
2. Puxe o cinto na parte traseira do acolchoamento para o assento. 
3. Remova as duas tiras de volta e remova o acolchoamento para o assento. 

## Accessories

Os acessórios podem ser vendidos separadamente e podem não estar disponíveis, dependendo da região.

### Montagem do redutor

Caso seja necessário utilizar o redutor, efetue a montagem como ilustrado na figura  31.

### Inserção do tabuleiro

A inserção do tabuleiro pode ser utilizada em conjunto com o tabuleiro. Pode também permanecer encaixada quando o tabuleiro for guardado.

Quando colocada na mesa de jantar, a inserção do tabuleiro pode ser utilizada como bandeja.

Para encaixar a inserção do tabuleiro, coloque-a sobre o tabuleiro e pressione até que a patilha encaixe.

 32

## Cuidado e manutenção

- ! A tampa e a inserção da bandeja podem ser lavadas em máquina de lavar louça.
- ! O tecido pode ser limpo com uma esponja e água com sabão. NÃO use alvejante.
- ! Escorra bem a almofada do assento lavada em uma área sombreada. NÃO utilizar secadora.
- ! Para limpar o quadro, limpe-o com um pano úmido e detergente delicado e depois remova a umidade do quadro com um pano seco.
- ! NÃO use detergente neutro não-diluído, gasolina ou outros solventes para lavar o assento. Pode causar danos ao assento.
- ! Verifique periodicamente o assento para o desgaste das peças, dos materiais quebrados ou pesponto. Se necessário, substitua as peças.
- ! Se a cadeira para refeição não é usada por um longo tempo, guarde-a fora do acesso das crianças.

# Notes



## PL Szanowni Państwo!™

Gratulujemy zakupu i dołączenia do szczęśliwych posiadaczy produktów Joie! Bardzo się cieszymy, mogąc zaoferować Państwu i Państwa najmłodszemu nasz wyrób. Krzeselko Joie MIMZY™ to wysokiej jakości produkt, posiadający certyfikat jakości i spełniający wymogi europejskiej normy bezpieczeństwa EN 14988:2017+A1:2020. Krzeselko jest przeznaczone dla dzieci w wieku 6 do 36 miesięcy. Aby zapewnić swojemu dziecku wygodę korzystania z krzeselka oraz pełne bezpieczeństwo, proszę dokładnie zapoznać się z niniejszą instrukcją i wykonywać opisane czynności.

# WAŻNE! ZACHOWAĆ NINIEJSZĄ INSTRUKCJĘ OBSŁUGI NA WYPADEK KONIECZNOŚCI UŻYCIA JEJ W PRZYSZŁOŚCI.

Aby pobrać instrukcje montażu krzesełek i zobaczyć inne ciekawe wyroby Joie, proszę wejść na stronę joiebaby.com.

W celu uzyskania informacji o gwarancji odwiedź naszą stronę internetową joiebaby.com

## Zawartość

Rysunki	1-6
OSTRZEŻENIA	49
<b>Montaż krzeselka</b>	<b>50</b>
Rozkładanie stelażu	50
Montowanie siedziska	50
<b>Montaż krzeselka</b>	<b>50</b>
Regulacja podparcia tydek	50
Regulacja podnóżka	50
Używanie kłamry	50
Regulacja wysokości pasów naramiennych	51
Regulacja długości pasów	51
Używanie tacy	51
Używanie pokrywy	52
Regulacja wysokości siedziska	52
Regulacja pozycji oparcia	52
<b>Składanie krzeselka</b>	<b>52</b>
<b>Odłączanie siedziska</b>	<b>53</b>
Czyszczenie i konserwacja	53

## Sytuacja nadzwyczajna

W razie wypadku lub sytuacji zagrożenia zdrowia pierwszej pomocy należy udzielić przede wszystkim dziecku, zapewniając mu natychmiast niezbędną opiekę medyczną.

## Informacje o produkcie

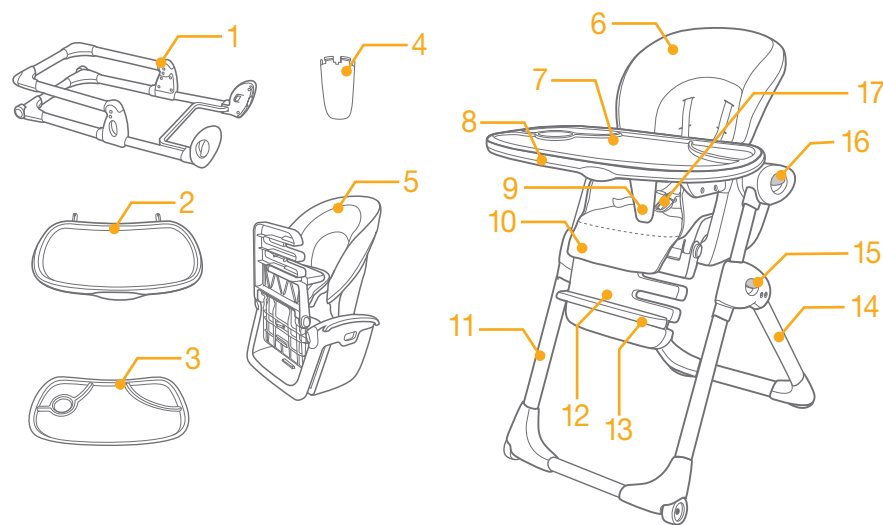
Przed użyciem produktu przeczytaj wszystkie wskazówki zawarte w niniejszej instrukcji. Jeśli masz dodatkowe pytania, skontaktuj się z lokalnym dystrybutorem.

<b>Produkt</b>	Mimzy Highchair, Mimzy 2in1 Highchair
<b>Odpowiedni dla</b>	Dzieci ważących poniżej 15 kg (6 - 36 miesięcy)
<b>Materiały</b>	Plastik, metal, tekstylia
<b>Nr patentu</b>	Patent
<b>Wyprodukowano w</b>	Chinach
<b>Nazwa produktu</b>	Joie
<b>Strona internetowa</b>	www.joiebaby.com
<b>Producent</b>	Allison GmbH

## Lista części

Przed montażem sprawdź, czy są wszystkie części. Jeśli brakuje jakiegokolwiek części, skontaktuj się z lokalnym dystrybutorem. Do montażu nie są potrzebne żadne narzędzia.

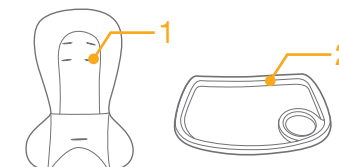
1 Stelaż	6 Oparcie	10 Siedzisko	15 Przycisk składania
2 Taca	7 Nakładka na tacę	11 Przednia noga	16 Przycisk regulacji wysokości
3 Nakładka na tacę	8 Taca	12 Podparcie tydek	17 5-punktowa kłamra
4 Trzpień zabezpieczający	9 Trzpień zabezpieczający	13 Podnóżek	
5 Siedzisko		14 Tylne nogi	



## Akcesoria

(Dołączone wyłącznie do Mimzy 2 in 1)

- 1 Mała wkładka (w wybranych modelach)
- 2 Podkładka na tacę (w wybranych modelach)



## OSTRZEŻENIA

- ! Przed użyciem i montażem produktu przeczytaj wszystkie wskazówki zawarte w niniejszej instrukcji.
- ! Wymaga montażu przez osobę dorosłą
- ! Zachowaj niniejszą instrukcję na przyszłość.
- ! Produkt ten jest odpowiedni dla dzieci pomiędzy 6 a 36 miesiącem życia (poniżej 15 kg).
- ! Niezastosowanie się do niniejszych ostrzeżeń i instrukcji montażu może spowodować poważne obrażenia lub śmierć.
- ! NIE wolno dokonywać żadnych modyfikacji tego krzeselka lub używać go wraz z częściami pochodzącymi od innych producentów.
- ! NIE używaj krzeselka, jeśli brakuje jakichkolwiek części lub części są uszkodzone albo podarte.
- ! NIE używaj krzeselka do momentu aż wszystkie części zostaną prawidłowo zmontowane i wyregulowane.
- ! OSTRZEŻENIE! Nigdy nie zostawiaj dziecka bez opieki. Zawsze miej dziecko w zasięgu wzroku.
- ! Aby uniknąć poważnych obrażeń lub śmierci w przypadku upadku lub poślizgnięcia się, zawsze asekuruj dziecko w krzeselku.
- ! Postępuj zgodnie z instrukcjami, aby upewnić się, że uprząż urządzenia została prawidłowo zamontowana.
- ! Asekuruj swoje dziecko przez cały czas używając uprząży pasów bezpieczeństwa w obu pozycjach: leżącej i siedzącej. Taca nie jest przeznaczona do przytrzymywania dziecka w krzeselku.
- ! NIE używaj krzeselka aż do momentu, kiedy dziecko potrafi samodzielnie siedzieć.
- ! Zaleca się używanie produktu w pozycji pionowej tylko przez dzieci, które są w stanie samodzielnie siedzieć.
- ! NIE pozwalaj dziecku stać w lub na krzeselku.
- ! NIE podnoś i nie przenoś krzeselka, kiedy siedzi w nim dziecko.
- ! Nie pozwalaj dzieciom bawić się krzeselkiem lub koło krzeselka, gdy siedzi w nim dziecko.
- ! Nie pozwalaj dzieciom przechylać się na boki krzeselka. Krzeselko może stracić równowagę i przewrócić się.
- ! Nie należy umieszczać żadnych ciężkich toreb, paczek ani innych przedmiotów na tacy krzeselka. Może to spowodować, że krzeselko się przewróci.
- ! Zawsze stawiaj na płaskiej i równej podłodze.
- ! Bądź świadom ryzyka, jakie stanowi otwarty ogień oraz inne silne źródła ciepła, takie jak promienniki elektryczne lub gazowe itp. umieszczone w pobliżu krzeselka.
- ! Aby uniknąć niebezpieczeństwa uduszenia, nie należy umieszczać krzeselka w miejscu, w którym znajdują się przewody, takie jak sznurki zasłon okiennych, zasłony, przewody telefoniczne itp.
- ! Przed użyciem krzeselka wszystkie elementy montażowe należy całkowicie rozłożyć, skrócić i prawidłowo zamocować.
- ! Dla bezpieczeństwa regularnie sprawdzaj zamki i zmontowanie.
- ! Regularnie sprawdzaj, czy krzeselko nie ma uszkodzonych części, obluzowanych elementów, brakujących części lub ostrych krawędzi.
- ! Wyjmij dziecko z krzeselka przed złożeniem lub regulacją krzeselka.
- ! Upewnij się, że produkt został całkowicie złożony lub rozłożony przed tym jak pozwolisz dziecku użyć krzeselka.
- ! W kwestiach dotyczących konserwacji, napraw i wymiany części skontaktuj się z lokalnym dystrybutorem.
- ! W celu uniknięcia oparzeń, nie należy stawiać gorących posiłków na tacy.
- ! OSTRZEŻENIE Należy upewnić się, że szelki są prawidłowo dopasowane.
- ! OSTRZEŻENIE Nigdy nie pozostawiaj dziecka bez opieki.
- ! Aby uniknąć poważnych obrażeń lub śmierci w wyniku upadku lub zsunięcia, zawsze używaj systemu zabezpieczającego i upewnij się, że jest on prawidłowo dopasowany.
- ! Ryzyko upadku: Nie pozwól na wchodzenie dziecka na wysokie krzeselko.
- ! Pamiętaj o ryzyku związanym z otwartym ogniem i innymi źródłami silnego ciepła w pobliżu wysokiego krzeselka.
- ! Aby uniknąć obrażeń, trzymaj dzieci z dala od produktu podczas jego rozkładania i składania.
- ! Pamiętaj o ryzyku przechylenia w momencie, gdy dziecko może odepchnąć się stopami o stół lub inną konstrukcję.
- ! Zawsze należy stosować system zabezpieczający dziecko.

## Montaż krzeselka

Przed użyciem i montażem produktu przeczytaj wszystkie wskazówki zawarte w niniejszej instrukcji.

### Otwieranie stelaża

1. Obróć tylną nogę do tyłu, aż usłyszysz wyraźne "kliknięcie". ①

### Montowanie siedziska

1. Otwórz siedzisko. ②
  2. Dopasuj siedzisko do stelażu ③. Kiedy usłyszysz kliknięcie oznacza to, że siedzisko jest przymocowane do stelażu. ④
- ! Podnieś siedzisko, aby upewnić się, że jest zablokowane w odpowiednim miejscu.

### Assemble Seat Pad

Assemble the seat pad by following these steps:

1. Open the seat.
  2. Insert the two straps through openings in seat back. ⑤
- ! Please make sure the straps are secured to the seat back to prevent the seat pad from slipping.
3. Pull all the harnesses through the slots in seat pad. ⑥
  4. Wrap the seat pad over the top of seat back.

## Działanie siedziska

### Regulacja podparcia łydek

1. Podparcie łydek można ustawić w dwóch pozycjach.
2. Naciśnij przyciski regulacji po obu stronach siedziska ⑦ - 1 i obróć podparcie łydek w dół lub w górę. ⑦ - 2

### Regulacja podnóżka

1. Podnóżek można ustawić w 3 pozycjach.
2. Aby wyregulować podnóżek, usuń podnóżek z podparcia łydek ⑧, wybierz pożądaną pozycję i z powrotem wsuń podnóżek w podparcie łydek. ⑨

### Używanie klamry

#### Uwaga

1. Aby uniknąć poważnych obrażeń lub śmierci w przypadku upadku lub poślizgnięcia się, zawsze asekuruj dziecko w krzeselku.
2. Upewnij się, że pasy bezpieczeństwa krzeselka są prawidłowo zamontowane i przestrzeń między pasami bezpieczeństwa i dzieckiem nie przekracza grubości ręki dorosłego.
3. NIE krzyżuj pasów naramiennych. Powoduje to nacisk na szyję dziecka.

#### Zatraskiwanie klamry

Dopasuj klamrę pasa biodrowego do klamry pasa naramiennego i połącz je razem ⑩ - 1. Wetknij klamry to środkowej klamry ⑩ - 2. Kliknięcie oznacza, że klamra została całkowicie zamknięta ⑩ - 3. Powtórz tę czynność dla drugiej strony.



#### Zwalnianie klamrę

Naciśnij środkowy przycisk, aby zwolnić klamry. ⑪




## Regulacja wysokości pasa naramiennego

### Uwaga

1. Pasy naramienne powinny przechodzić przez otwory w oparciu położone możliwie najbliżej nad ramionami dziecka
2. Aby uchronić dziecko przed wypadnięciem po tym jak dziecko zostało posadzone na siedzisku, sprawdź, czy pasy naramienne są na odpowiedniej wysokości.
3. W przypadku większych dzieci używaj górnego otworu na pasy naramienne. W przypadku mniejszych dzieci korzystaj z niższych otworów na pasy naramienne.





1. Wybierz parę właściwych otworów na pasy naramienne. Włóż pasy naramienne do otworów w siedzisku i oparciu siedzenia.  
- ! Przy zmianie otworów pasów naramiennych, upewnij się, że pasy naramienne przechodzą przez te same otwory w siedzisku i oparciu siedzenia.

## Regulacja długość pasów


1. Użyj przesuwne regulatora, aby zmienić długość pasów.  - 1
2. Wyciągnij pas biodrowy aż do naciągnięcia do odpowiedniej długości  - 2. Naciśnij przycisk, aby poluznić pas biodrowy.  - 3

## Używanie tacy



### Montaż tacki

1. Załóż uprząż na krocze i mocowanie tacki na tackę wciskając je w otwór na spodzie tacki do usłyszenia kliknięcia  .  
! Zarówno uprząż na krocze jak i mocowanie tacki można zamontować tylko w jednym kierunku. Szczeliny na uprząż na krocze oraz element mocowania tacki powinny zostać wyrównane z żebrami w otworze spodu tacki.
2. Wprowadź prowadnice tacy do otworów w siedzisku, przesuń do przodu, aż usłyszysz kliknięcie. .  
Aby usunąć tacę, naciśnij przycisk pod tacą i ją wysuń. .  
! Przed użyciem trzpień zabezpieczający musi zostać wetknięty w tacę. Po wetknięciu trzpienia zabezpieczającego, nie próbuj go usuwać.  
! Zachowaj ostrożność podczas regulacji tacy, ponieważ istnieje możliwość zdjęcia tacy z siedziska.

### Regulacja tacy



1. Taca ma 3 pozycje. Można dowolnie regulować odległość dziecka od tacy.
2. Naciśnij przycisk pod tacą i rusz tacę, aż osiągnie pożądaną pozycję, a następnie zwolnij przycisk. Jeśli taca nie zablokowała się automatycznie w otworach, przesuń tacę aż usłyszysz kliknięcie. .  
! Upewnij się, że obie strony tacy są we właściwych pozycjach.  
! Pociągnij tacę do siebie, aby upewnić się, że prowadnice są we właściwych miejscach.

### Przechowywanie tacy



1. Kiedy nie używasz tacy, możesz ją schować w tylnych nogach krzeselka.
2. Umieść tacę w tylnych nogach i zatrzaśnij prowadnice tacy w odpowiednim miejscu. 
3. Przechowywanie tacy jest pokazane na .

## Używanie nakładki na tacę



### Uwaga

1. Nakładka na tacę może być używana razem z tacą. Może również pozostać podłączona, gdy taca jest przechowywana.
2. Po umieszczeniu na stole obiadowym nakładkę tacy można wykorzystać jako tacę do serwowania.  
  1. Aby przymocować nakładkę do tacy, umieść ją na tacy i dociśnij, aż zatrzaśk zaskoczy na swoje miejsce. 
  2. Aby zdjąć nakładkę na tacę, chwyć za zaczep w pobliżu miejsca siedzącego i pociągnij w górę, a następnie podnieś pokrywę tacy w górę. 

## Regulacja wysokości siedziska

1. Jest 7 pozycji ustawienia wysokości. Siedzisko może być dostosowane do odpowiedniej wysokości w zależności od wysokości posiadanego stołu, co czyni go bardziej wygodnym dla Twojego dziecka podczas jedzenia posiłków razem z rodziną.  
! **NIE reguluj wysokości siedziska z dzieckiem siedzącym w środku.**
2. Aby wyregulować wysokość, wciśnij przyciski regulacji wysokości po obu stronach krzeselka  - 1, i niż lub podnieś siedzisko do pożądanego poziomu.  - 2





## Regulacja oparcia

- ! **NIE reguluj oparcia siedziska z dzieckiem siedzącym w środku.**
  1. Są 3 pozycje ustawienia oparcia.
  2. Wciśnij przycisk znajdujący się z tyłu siedziska  - 1 i pociągnij w dół lub w górę  - 2 aby wyregulować tył siedziska do pożądanego położenia.



## Składanie krzeselka

- ! **NIE składaj krzeselka z dzieckiem siedzącym w środku.**

Złóż krzeselko, wykonując następujące kroki:

1. Usuń tacę przed złożeniem krzeselka.
2. Aby krzeselko zajmowało jak najmniej miejsca, niż siedzisko do najniższej pozycji i ustaw podparcie tydek w pozycji pionowej lub płaskiej. 
3. Złóż siedzisko. 
4. Złóż stelaż. 
5. Schowaj tacę w tylnych nogach. 

## Zdejmowanie siedziska

1. Zwolnij 5-punktową klamrę.
2. Przeciągnij pasy przez tył siedziska. 
3. Usuń dwa paski z tyłu siedziska, aby usunąć siedzisko. 

## Akcesoria

Akcesoria mogą być sprzedawane osobno lub mogą nie być dostępne w zależności od regionu sprzedaży.

### Montaż małej wkładki

Jeżeli chcesz użyć małej wkładki, zamontuj ją jak na rys .

### Podkładka na tacę

Podkładka na tacę może być używana razem z tacą. Może również pozostać podłączony, gdy taca jest przechowywana.

Po umieszczeniu na stole obiadowym podkładka może służyć jako taca do serwowania.

Aby przymocować podkładkę do tacy, umieść ją na tacy i pchnij, aż zatrzask zaskoczy na swoje miejsce.



## Czyszczenie i konserwacja

- ! Pokrywą i wkładkę tacy można myć w zmywarce.
- ! Plamy na foteliku można oczyścić gąbką i wodą z dodatkiem mydła. NIE stosuj wybielacza.
- ! Powieś umyte siedzisko do wyschnięcia w zacienionym miejscu. NIE wsadzaj do suszarki.
- ! Aby wyczyścić stelaż, przetrzyj go wilgotną szmatką i łagodnym detergentem, a następnie wytrzyj wszelkie ślady wilgoci na stelażu suchą szmatką.
- ! NIE stosuj nierozcieńczonego neutralnego detergentu, benzyny lub innych organicznych rozpuszczalników do mycia krzeselka do karmienia. Może to spowodować uszkodzenie krzeselka.
- ! Od czasu do czasu sprawdź krzeselko pod względem zużycia części, rozdartego materiału lub szwów. W razie potrzeby wymień części.
- ! Jeśli krzeselko nie jest używane przez dłuższy czas, należy je umieścić tam, gdzie Twoje dziecko nie będzie miało do niego dostępu.

# Notes

## IT Benvenuti nel mondo Joie™

Congratulazioni, siete entrati a far parte della famiglia Joie! Siamo molto lieti di potervi accompagnare nella vostra vita insieme al vostro bambino. Con Joie MIMZY™, siete sicuri di utilizzare un seggiolino di alta qualità, totalmente certificato, approvato in base alle normative di sicurezza europee EN 14988:2017+A1:2020. Questo prodotto è adatto all'uso con bambini di età compresa tra 6 e 36 mesi. Leggete attentamente il presente manuale e seguite ciascun passaggio: otterrete così piacevoli esperienze e la migliore protezione per il vostro bambino.

# IMPORTANTE! CONSERVATE QUESTE ISTRUZIONI PER FUTURI RIFERIMENTI!

Visitate il nostro sito [joiebaby.com](http://joiebaby.com) per scaricare i manuali e conoscere altri eccezionali prodotti Joie!

Per informazioni sulla garanzia, visitare il nostro sito internet all'indirizzo [joiebaby.com](http://joiebaby.com)

## Contenuto

Le immagini AVVERTENZE	1-6 57
<b>L'assemblaggio del seggiolone con lo schienale rialzato</b>	<b>58</b>
La struttura aperta	58
L'assemblaggio della sedia	58
Montaggio del cuscino della sedia	58
<b>Funzionamento del seggiolone con lo schienale rialzato</b>	<b>58</b>
Regolazione del supporto per la gamba	58
Regolazione del supporto per i piedi	58
Utilizzo della fibbia	58
Regolazione dell'altezza per le cinture dell'omero	59
Regolazione della lunghezza per le cinture	59
Utilizzo della tavolozza	59
Utilizzo del vassoio della tavolozza	60
Regolazione dell'altezza per il seggiolone	60
Regolazione dell'inclinazione dello schienale	60
<b>La chiusura del seggiolone con lo schienale rialzato</b>	<b>60</b>
<b>Estrazione del cucino dal seggiolone</b>	<b>61</b>
Cura e manutenzione	61

## Emergenza

In caso di emergenza o incidente, è di fondamentale importanza che il bambino venga sottoposto immediatamente a un intervento di primo soccorso e a cure mediche.

## Informazioni sul prodotto

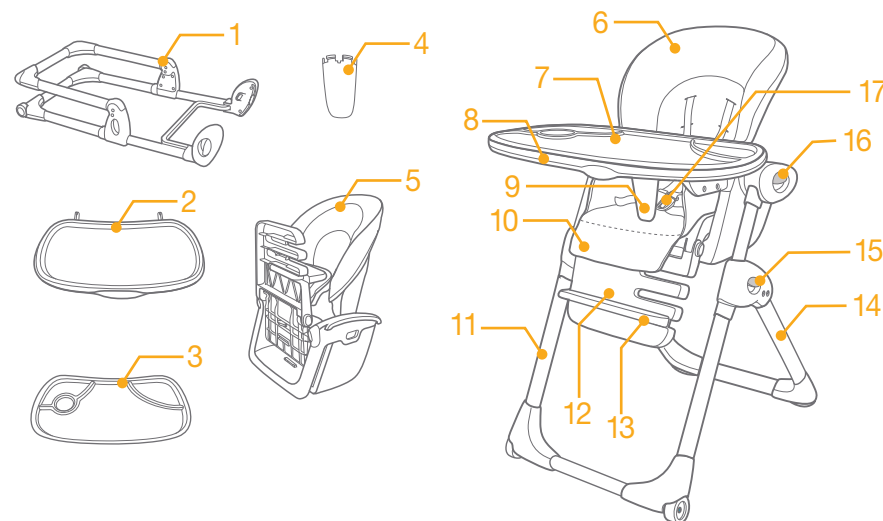
Leggete tutte le istruzioni di questo libretto prima di utilizzare questo prodotto. Nel caso avete altre domande, contattare il vostro fornitore locale.

Prodotto	Seggiolone con lo schienale rialzato Mimzy, Seggiolone con lo schienale rialzato Mimzy 2in1
Adatto per	Bambini con peso sotto i 15 kg (6 - 36 mesi)
Materiale	Plastica, metallo, materiale tessile
N. brevetto	Patents pending
Prodotto in	Cina
Denominazione marchio	Joie
Sito web	<a href="http://www.joiebaby.com">www.joiebaby.com</a>
Produttore	Allison GmbH

## Elenco dei pezzi

Prima dell'assemblaggio verificate che tutti i pezzi siano disponibili. Nel caso in cui mancasse qualsiasi pezzo, contattare il vostro fornitore locale. Per l'assemblaggio non occorrono degli attrezzi.

- |                     |                                     |                                      |
|---------------------|-------------------------------------|--------------------------------------|
| 1 Quadro            | 8 Vassoio                           | 14 Dispositivo anteriore di sostegno |
| 2 Tavolozza         | 9 Claxon vassoio                    | 15 Pulsante per chiudere             |
| 3 Vassoio tavolozza | 10 Cucino per sedia                 | 16 Pulsante per regolare l'altezza   |
| 4 Claxon tavolozza  | 11 Dispositivo frontale di sostegno | 17 Fibbia con aggancio in 5 punti    |
| 5 Sedia             | 12 Supporto per la gamba            |                                      |
| 6 Schienale         | 13 Supporto per il piede            |                                      |



## Accessori

(Incluso solo in Mimzy 2 in 1)

- |   |  |
|---|--|
| 1 Cuscine della sedia (su alcuni modelli)   |  |
| 2 Inserimento tavolozza (su alcuni modelli) |  |

## AVVERTENZE

- ! Leggete tutte le istruzioni di questo libretto prima di assemblare e di utilizzare questo prodotto.
- ! Il prodotto può essere assemblato soltanto dagli adulti.
- ! Conservate il libretto per informazioni future.
- ! Questo prodotto è adatto per i bambini con l'età tra i 6 e 36 mesi (sotto a 15 kg).
- ! La mancata osservazione delle medesime avvertenze e istruzioni di assemblaggio, può portare a gravi lesioni oppure al decesso.
- ! NON apportate le modifiche a questo seggiolone con lo schienale rialzato e non utilizzarlo con altri pezzi componenti da altri produttori.
- ! NON utilizzare il seggiolone con lo schienale rialzato nel caso in cui le componenti sono guaste, rotte o mancano.
- ! NON utilizzare il seggiolone con lo schienale rialzato se non ha tutte le componenti assemblate e messe a punta in maniera corretta.
- ! AVVERTENZA Non lasciare mai il bambino incustodito. Sorvegliate i bambini in permanenza.
- ! Dovete sempre assicurare il bambino con le cinture di sicurezza per prevenire da gravi lesioni oppure dal decesso, situazioni che potrebbero accadere in seguito alla caduta o allo scivolamento.
- ! Seguite con attenzione queste istruzioni per verificare il fatto che le cinture di sicurezza sono state correttamente montate.
- ! In qualsiasi momento assicurare il bambino con le cinture di sicurezza che sono in dotazione, sia per la posizione verticale sia per quella di traverso. La tavolozza non è un prodotto progettato per reggere il bambino.
- ! NON utilizzare il seggiolone con lo schienale rialzato fin quando il bambino non sta seduto senza sostegno.
- ! L'utilizzo in posizione verticale di questo prodotto viene consigliato soltanto per i bambini che riescono stare seduti senza nessun sostegno.
- ! NON permettete al bambino di stare in piedi nel seggiolone oppure sulla tavolozza del seggiolone con lo schienale rialzato.
- ! NON alzare o spostare il seggiolone con lo schienale rialzato nel caso sia occupato.
- ! NON permettete ai bambini di giocare intorno al seggiolone con lo schienale rialzato nel caso esso sia occupato.
- ! NON permettete ai bambini di sporgersi sui confini del seggiolone con lo schienale rialzato. Possono perdere l'equilibrio e ribaltarsi.
- ! NON posare borse, pacchetti oppure altri elementi pesanti sulla tavolozza del seggiolone con lo schienale rialzato. Questi potrebbero causare la pendenza del seggiolone.
- ! Utilizzate sempre su un pavimento piano e liscio.
- ! Avete cura al rischio prodotto dalla fiamma aperta e altre fonti di calore, come sarebbe la fiamma del gas, i conduttori elettrici ecc. che si trovano nella vicinanza del seggiolone con lo schienale rialzato.
- ! Per evitare il pericolo di strangolamento, NON posizionare il prodotto in un ambiente dove sono presenti cavi, come sarebbero le cinture delle persiane, delle tende, cavi di telefono ecc.
- ! Prima di utilizzare il prodotto, tutti gli accessori di montaggio devono essere completamente sfilati, avvitati e chiusi in maniera conforme.
- ! Per motivi di sicurezza, verificare regolarmente tutte le chiusure e gli accessori.
- ! Ispezionare regolarmente il prodotto per verificare danneggiamenti delle parti metalliche, chiusure aperte, pezzi mancanti oppure gli spigoli vivi.
- ! Prima della chiusura oppure della regolazione del seggiolone con lo schienale rialzato, allontanate il bambino.
- ! Assicurarvi che il prodotto è stato completamente chiuso o aperto, prima di lasciare che il bambino si avvicini ad esso.
- ! AVVERTENZA Assicurarvi che l'imbrigliatura di sicurezza sia montata correttamente.
- ! ATTENZIONE Non lasciare mai il bambino incustodito.
- ! Per prevenire lesioni gravi o il decesso per caduta o scivolamento, utilizzare sempre il sistema di ritenuta e controllare che sia correttamente fissato.
- ! Rischio di caduta: Evitare che il bambino si arrampichi sul seggiolone.
- ! Fare attenzione al rischio rappresentato dalla presenza nelle vicinanze di una fiamma libera o di altre fonti di calore elevato che si trovano in prossimità del prodotto.
- ! Per evitare lesioni, tenere il bambino lontano quando si spiega e piega il prodotto.
- ! Fare attenzione al possibile rischio di ribaltamento quando il bambino spinge i piedi contro un tavolo o un'altra struttura.
- ! Utilizzare sempre il sistema di ritenuta.

- ! Consultare il vostro fornitore locale per problemi relativi alla manutenzione, riparazione e sostituzione dei pezzi.
- ! Per evitare le ustioni, NON appoggiare del cibo bollente sul vassoio della tavolozza.

## L'assemblaggio del seggiolone con lo schienale rialzato

Leggete tutte le istruzioni di questo libretto prima di assemblare e di utilizzare questo prodotto.

### La struttura aperta

1. Girare indietro il piede posteriore della struttura fin quando sentite un clic. **1**

### L'assemblaggio della sedia

1. Aprire la sedia. **2**
  2. Fissare la sedia sulla struttura **3**. Quando si sente un clic significa che la sedia sia stata fissata sulla struttura. **4**
- ! Alzare la sedia per assicurarvi che sia stata ben fissata.

### Montaggio del cuscino della sedia

Montare il cuscino della sedia assennandosi alle seguenti procedure:

1. Aprire la sedia.
  2. Inserire le due cinghie attraverso le aperture nella parte posteriore della sedia. **5**
- ! Assicurarvi che le cinghie siano fissate alla parte posteriore della sedia per evitare che il cuscino della sedia scivoli.
3. Tirare tutte le cinture attraverso le fessure del cuscino della sedia. **6**
  4. Avvolgere il cuscino della sedia sopra la parte posteriore della sedia.

## Funzionamento del seggiolone con lo schienale rialzato

### Regolazione del supporto per la gamba

1. Il supporto per la gamba può essere regolato in due posizioni.
2. Premere i pulsanti di regolazione su ambedue parti del seggiolone **7** - 1 girare su e giù il supporto per le gambe. **7** - 2

### Regolazione del supporto per i piedi

1. Il supporto per i piedi può essere regolato in 3 posizioni.
2. Per regolare il supporto per i piedi, togliere il supporto per i piedi dal supporto per le gambe **8**, scegliere la posizione desiderata e poi reintrodurre il supporto per i piedi nel supporto per le gambe. **9**

### Utilizzo della fibbia

#### Nota

1. Dovete sempre assicurare il bambino con le cinture di sicurezza per prevenire da gravi lesioni oppure dal decesso, situazioni che potrebbero accadere in seguito alla caduta o allo scivolamento.
2. Verificare che la cintura di sicurezza sia stata correttamente montata e lo spazio tra la cintura e il bambino non supera lo spessore della mano di un adulto.
3. NON incrociare le cinture sull'omero. Questo fatto causerà la pressione sul collo del bambino.

### Fibbia di bloccaggio

Fissare la fibbia della cintura per vite con la fibbia della cintura per omero e infilarle assieme **10** - 1. Introdurre le fibbie nella fibbia centrale **10** - 2. La fibbia è completamente bloccata quando si sente un clic **10** - 3. Procedere ugualmente anche per l'altra parte.

### Rilascio della fibbia

Premere il pulsante centrale per aprire le fibbie. **11**

## Regolazione dell'altezza per le cinture dell'omero

### Nota

1. La cintura dell'omero deve entrare nella scanalatura che si trova a livello dell'omero o poco sopra tale livello.
2. Per proteggere il bambino dalla caduta, dopo averlo posato nella sedia, verificare che le cinture per l'omero siano all'altezza conforme.
3. Per i bambini più grandi utilizzare le scanalature superiori per l'omero. Per i bambini più piccoli utilizzare le scanalature inferiori per l'omero.

1. Scegliere la coppia adatta di scanalature per omero. Introdurre la cintura per l'omero nelle scanalature nel cucino per sedia e in quelle posteriori alla sedia. **12** **15**

! Al cambiamento delle scanalature per le cinture dell'omero, verificare che le cinture per l'omero passano nelle stesse scanalature nel cucino per sedia e in quelle posteriori alla sedia.

## Regolazione della lunghezza per le cinture

1. Utilizzare il dispositivo di regolazione dello scivolo per modificare la lunghezza delle cinture. **14** - 1
2. Tirare le cinture per vite per portare alla lunghezza desiderata **14** - 2. Premere il pulsante per rallentare la cintura per vite. **14** - 3

## Utilizzo della tavolozza

### Montaggio del vano

1. Montare il sistema di ritenuta inguinale e il supporto sul vano spingendo nell'apertura sul fondo del vano finché non si avverte uno "scatto" **15** **16**.

! Il sistema di ritenuta inguinale e il supporto del vano possono essere montati in una sola direzione. Le fessure presenti sul sistema di ritenuta inguinale e sull'attacco del supporto del vano devono essere allineate con l'apertura del fondo del vano.

2. Introdurre le guide della tavolozza nelle scanalature della sedia e fatte scivolare in avanti fin quando sentite un clic. **17** Per rimuovere la tavolozza premere il pulsante posto sotto la tavolozza e fatte scivolare. **18**

! Prima dell'utilizzo, il claxon deve essere introdotto nella tavolozza. Dal momento che il claxon è stato introdotto, NON provare a rimuoverlo.

! State attenti quando regolate la tavolozza, perché essa può essere rimossa completamente dalla sedia.

### Regolazione della tavolozza

1. La tavolozza ha 3 posizioni. La distanza tra il bambino e la tavolozza può essere regolata in base alle necessità.

2. Premere il pulsante posizionato sotto la tavolozza e spostarla nella posizione desiderata, poi rilasciare il pulsante. Nel caso essa NON si blocca in modo automatico sugli orifici, spostarla fin quando sentite un clic. **19**

! Verificare che ambedue le parti della tavolozza siano nelle posizioni adatte.

! Tirare la tavolozza verso di voi, per verificare che ambedue le guide sono in condizioni di sicurezza.

### La conservazione della tavolozza

1. Quando non viene utilizzata, la tavolozza può essere conservata sui piedi posteriori della struttura.
2. Collocare la tavolozza sui piedi posteriori della struttura e mettere le guide della medesima nell'apposita posizione. **20**
3. La tavolozza conservata viene presentata nella **20**.

## Uso del vassoio tavolozza

### Nota

1. Il vassoio tavolozza può essere utilizzato come tavolozza. Può anche rimanere fissato quando si conserva la tavolozza.
2. Se posizionato a tavola, il vassoio tavolozza può essere utilizzato come vassoio da portata.

1. Per fissare il vassoio tavolozza, collocarlo sulla tavolozza e spingere finché la linguetta non scatta in posizione. **21**
2. Per rimuovere il vassoio tavolozza, afferrare la linguetta vicino all'area di appoggio e sollevare, quindi sollevare il vassoio tavolozza verso l'alto. **22**

## Regolazione dell'altezza per il seggiolone

1. Ci sono 7 posizioni di altezza. Il seggiolone può essere regolato all'altezza conforme all'altezza della vostra tavola, in modo tale che il vostro bambino può mangiare insieme alla famiglia in una maniera confortevole.

! **NON regolare l'altezza del seggiolone nel caso in cui il bambino sia nella sedia.**

2. Per la regolazione dell'altezza, premere i pulsanti per regolare l'altezza su ambedue le parti del seggiolone **23** - 1, ed alzare oppure scendere la sedia nella posizione desiderata. **23** - 2

## Regolazione dell'inclinazione dello schienale





! **NON regolare l'inclinazione dello schienale nel caso in cui il bambino sia nella sedia.**

1. Ci sono 3 posizioni di inclinazione.
2. Premere il pulsante posizionato nella parte anteriore della sedia **24** - 1 e premere oppure tirare **24** - 2 per la regolazione dello schienale nella pendenza desiderata.



## La chiusura del seggiolone con lo schienale rialzato

! **NON chiudere il seggiolone nel caso in cui il bambino sia dentro di esso.**

Chiudere il seggiolone con lo schienale rialzato seguendo i prossimi passi:

1. Rimuovere la tavolozza prima di chiudere il seggiolone con lo schienale rialzato.
2. Per una conservazione più compatta, mettere il seggiolone nella posizione più bassa e regolare il sopporto per le gambe nella posizione orizzontale oppure in piano. 
3. Chiudere il seggiolone. 
4. Chiudere la struttura. 
5. Conservate la tavolozza sui piedi posteriori della struttura. 

## Estrazione del cucino dal seggiolone

1. Rilasciare la fibbia con aggancio in 5 punti.
2. Tirare le cinture verso la parte anteriore del cucino per la sedia. 
3. Rimuovere le due cinture posizionate nella parte anteriore e estrarre il cucino dal seggiolone. 

## Accessori

Gli accessori potrebbero essere venduti separatamente o non essere disponibili a seconda della regione.


### Montaggio del piccolo inserto

Se è necessario utilizzare il piccolo inserto, montarlo come .

### Inserzione della tavolozza

L'inserzione della tavolozza può essere utilizzata con la tavolozza. Può anche rimanere fissato quando si conserva la tavolozza.

Se posizionato a tavola, l'inserzione tavolozza può essere utilizzata come vassoio da portata.

Per fissare l'inserzione tavolozza, collocarla sulla tavolozza e spingere finché la linguetta non scatta in posizione. 

## Cura e manutenzione

- ! Il vassoio e l'inserzione della tavolozza possono essere lavate nella lavastoviglie.
- ! L'imbottitura può essere pulita con una spugna e una soluzione di acqua e sapone. NON utilizzare candeggina.
- ! Asciugare il cuscino del seggiolone al riparo dai raggi solari. NON asciugare nell'asciugatrice.
- ! Per la pulizia della struttura, pulirlo con un panno umido e detergente delicato, poi per rimuovere l'umidità dalla struttura usate un panno asciutto.
- ! NON utilizzare detergente neutro non diluito, benzina o altri solventi organici per lavare il seggiolone. Possono causare il danneggiamento del seggiolone.
- ! Periodicamente, verificate al seggiolone l'usura dei pezzi, materiali rotti o per le cuciture. In caso di necessità sostituire i pezzi usati.
- ! Nel caso in cui il seggiolone non viene utilizzato per un lungo periodo, conservarlo fuori dalla portata dei bambini.



## NL Welkom bij Joie™

Gefeliciteerd dat u nu lid bent van de Joie-familie! Het doet ons veel genoegen om deel uit te kunnen maken van uw leven met uw kleintje. Bij het gebruik van de Joie MIMZY™, gebruikt u een hoogwaardige, volledig gecertificeerde kinderstoel, goedgekeurd volgens de Europese veiligheidsnormen EN 14988:2017+A1:2020. Dit product is geschikt voor kinderen van 6 tot 36 maanden. Lees deze handleiding zorgvuldig en volg elke stap om voor een prettige ervaring en de beste bescherming van uw kind te zorgen.

# BELANGRIJK! ZORGVULDIG LEZEN EN BEWAREN VOOR RAADPLEGING IN DE TOEKOMST

Bezoek ons op [joiebaby.com](http://joiebaby.com) om handleidingen te downloaden en nog meer interessante producten van Joie te zien.

Bezoek voor informatie over de garantie onze website op [joiebaby.com](http://joiebaby.com)

## Inhoud

Afbeeldingen	1-6
WAARSCHUWINGEN	65
<b>Montage kinderstoel</b>	<b>66</b>
Open frame	66
Montage zitting	66
Zitkussen monteren	66
<b>Gebruik kinderstoel</b>	<b>66</b>
Kuitsteun instellen	66
Voetsteun instellen	66
Riem gebruiken	66
Hoogte voor schouderriemen instellen	67
Lengte van riemen instellen	67
Blad gebruiken	67
Gebruik van extra eetblad	68
Hoogte voor stoel afstellen	68
Helling instellen	68
<b>Kinderstoel opvouwen</b>	<b>68</b>
<b>Zitkussen losmaken</b>	<b>68</b>
<b>Accessoires</b>	<b>69</b>
<b>Verzorging en onderhoud</b>	<b>69</b>

## Noodgeval

Bij een noodsituatie of een ongeluk is het heel belangrijk om uw kind direct te laten verzorgen met eerste hulp en medische behandeling.

## Productinformatie

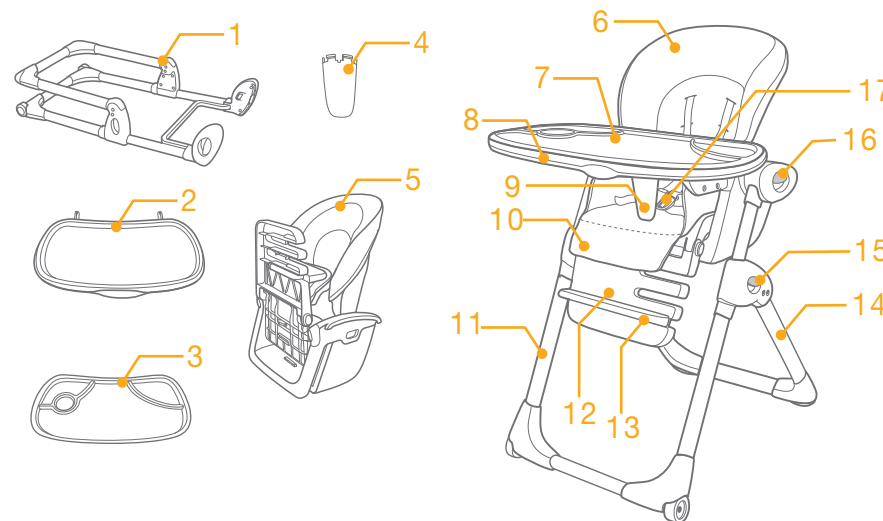
Lees alle aanwijzingen in deze handleiding voordat u het product gebruikt. Neem bij meer vragen contact op met uw leverancier.

Product	Mimzy-kinderstoel, Mimzy 2in1 -kinderstoel
Geschikt voor	Kind met een maximaal gewicht van 15 kg (6 - 36 maanden)
Materiaal	Kunststoffen, metaal, geweven stoffen
Patent nr.	Patent aangevraagd
Gemaakt in	China
Merknaam	Joie
Website	<a href="http://www.joiebaby.com">www.joiebaby.com</a>
Fabrikant	Allison GmbH

## Onderdelenlijst

Zorg dat alle onderdelen voor het opslaan droog zijn. Als items ontbreken of beschadigd zijn, kunt u contact opnemen met uw leverancier. Voor de montage is geen gereedschap nodig.

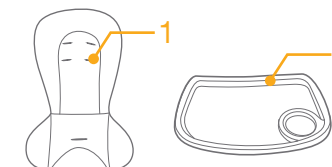
1 Frame	6 Rugsteun	11 Voorpoot	16 Knop voor
2 Blad	7 Bladafdekking	12 Kuitsteun	hoogte-instelling
3 Bladafdekking	8 Blad	13 Voetsteun	17 5-punts riem
4 Bladhoorn	9 Bladhoorn	14 Achterpoot	
5 Zitting	10 Zitkussen	15 Opvouwknop	



## Accessoires

(Alleen inclusief bij Mimzy 2 in 1)

- 1 Klein inzetstuk (bij bepaalde modellen)
- 2 Bladinzetstuk (bij bepaalde modellen)



## WAARSCHUWINGEN

- ! Montage door volwassene vereist.
- ! Lees alle aanwijzingen in deze handleiding voordat u het product opzet en gebruikt.
- ! Bewaar de handleiding voor later gebruik.
- ! Dit product is geschikt voor kinderen van 6-36 maanden (gewicht onder 15kg).
- ! Niet-naleving van deze waarschuwingen en de montage-instructies kan ernstig letsel of de dood veroorzaken.
- ! Breng GEEN veranderingen aan deze kinderstoel aan en gebruik deze niet in combinatie met onderdelen van andere fabrikanten.
- ! Deze kinderstoel NIET gebruiken bij gebroken, gescheurde of ontbrekende onderdelen.
- ! Gebruik het product ALLEEN als alle onderdelen goed vast zitten en ingesteld zijn.
- ! WAARSCHUWING! Laat uw kind nooit zonder toezicht achter. Houd uw kind altijd in het oog.
- ! Om ernstig letsel of de dood te voorkomen doordat uw kind uit de stoel valt of glijdt, moet u het altijd in de riemen vastzetten.
- ! Volg deze instructies aandachtig om ervoor te zorgen dat de gordels juist zijn geïnstalleerd.
- ! Zet uw kind altijd vast met de meegeleverde gordels, zowel in de stand achterover als rechtop. Het blad is niet bedoeld om uw kind in de stoel te houden.
- ! Gebruik de kinderstoel pas als het kind zonder hulp kan zitten.
- ! Aangeraden wordt om de stoel alleen in de stand rechtop te gebruiken voor kinderen die zonder hulp rechtop kunnen zitten.
- ! Laat uw kind NIET in of op de stoel staan.
- ! Til en verplaats de stoel NIET als uw kind daar in zit.
- ! Laat kinderen NIET met of in de buurt van de kinderstoel spelen als deze bezet is.
- ! Laat kinderen NIET over de zijkanalen van de kinderstoel leunen. Daardoor kan deze uit evenwicht raken en omvallen.
- ! Plaats GEEN zware tassen, pakken of andere items op het blad van de stoel. Hierdoor kan de stoel omvallen.
- ! Altijd op een vlakke en horizontale vloer gebruiken.
- ! Houd rekening met het gevaar van open vuur en andere bronnen van grote warmte in de buurt van het product
- ! Om het gevaar van wurg te voorkomen, de stoel NIET neerzetten in de buurt van touwen e.d., zoals voor zonwering, gordijnen, telefoonsnoeren enz.
- ! Alle aansluitingen moeten volledig worden uitgevouwen, goed zijn aangedraaid en vergrendeld voordat u de stoel gebruikt.
- ! Controleer de sloten en aansluitingen regelmatig op veiligheid.
- ! Controleer de stoel regelmatig op beschadigingen, losse aansluitingen, ontbrekende onderdelen of scherpe randen.
- ! Haal uw kind uit de stoel voordat u deze opvouwt of anders instelt.
- ! Zorg er voor dat de stoel volledig is in- of uitgevouwen voordat u uw kind bij de stoel laat komen.
- ! Neem contact op met de distributeur over onderhoud, reparaties en vervangen van onderdelen.
- ! Plaats om brandwonden te vermijden GEEN warm voedsel op de lade.
- ! WAARSCHUWING Zorg er voor dat de veiligheidsgordels op de juiste manier zijn bevestigd.
- ! Om ernstig letsel of de dood te voorkomen door uit de stoel vallen of glijden, moet u altijd de veiligheidsriemen gebruiken en er voor zorgen dat het goed geplaatst wordt.
- ! Gevaar voor vallen: Voorkom dat uw kinderen op de kinderstoel klimmen.
- ! Houd kinderen weg bij het in- of uitvouwen van het product om letsel te vermijden.
- ! Wees u bewust van het risico van kantelen wanneer uw kind zijn/haar voeten tegen een tafel of andere constructie kan duwen.
- ! Gebruik altijd het beveiligingssysteem.

## Montage kinderstoel

Lees alle aanwijzingen in deze handleiding voordat u het product opzet en gebruikt.

### Open frame

1. Draai de achterpoot terug totdat u een "klik" hoort. ❶

### Zitting monteren

1. Open de zitting. ❷
  2. Plaats de zitting in het frame ❸. Een hoorbare klik betekent dat de zitting vast zit in het frame. ❹
- ! Til de zitting op om te controleren of hij op zijn plaats zit.

### Zitkussen monteren

Monteer het zitkussen als volgt:

1. Open de zitting.
  2. Steek de twee riemen door openingen in de rugleuning. ❺
- ! Controleer of de riemen goed vast zitten aan de rug om te voorkomen dat het kussen wegglijdt.
3. Trek alle riemen door de gleuven in het zitkussen. ❻
  4. Wikkel het zitkussen over de bovenkant van de rug van de stoel.

## Gebruik kinderstoel

### Kuitsteun aanpassen

1. De kuitsteun heeft twee standen:
2. Druk op de instelknoppen aan weerskanten van de zitting ❷ - 1 en draai de kuitsteun omlaag of omhoog. ❷ - 2

### Voetsteun instellen

1. De voetsteun is in drie standen instelbaar.
2. Voor het instellen van de voetsteun verwijdert u de voetsteun van de kuitsteun ❸. Kies een gewenste positie en plaats vervolgens de voetsteun opnieuw in de kuitsteun. ❹

### Riem gebruiken

#### Opmerking

1. Om ernstig letsel of de dood te voorkomen doordat uw kind uit de stoel valt of glijdt, moet u het altijd in de riemen vastzetten.
2. Zorg er voor dat de riemen goed bevestigd zijn en dat de ruimte tussen riemen en kind niet groter is dan de dikte van een hand van een volwassene.
3. De schouderriemen NIET kruisen. Dat veroorzaakt druk op de nek van het kind.

Riem vastmaken

Verbind de gesp van de middelriem met de schouderriem ❶ - 1. Steek de gespen in de middengespen ❶ - 2. Een klikkend geluid betekent dat de gesp geheel vergrendeld is ❶ - 3. Herhaal dit aan de andere kant.

Maak de gesp los

Druk op de knop in het midden om de gespen los te maken. **11**

## Hoogte voor schouderriemen instellen

### Opmerking

1. De schouderriemen gaan in de sleuf die op dezelfde hoogte of iets hoger zit dan de schouders.
2. Om te voorkomen dat uw kind uit de stoel valt, moet u controleren of de schouderriemen op de juiste hoogte zitten.
3. Gebruik voor een groter kind de bovenste schouderleuven. Gebruik voor een kleiner kind de onderste schouderleuven.

1. Kies een paar geschikte schouderleuven. Steek de schouderriemen in de sleuven in het kussen en de rugleuning van het zitje. **12 13**

! Zorg er bij het verwisselen van de schouderriemgleuf voor dat de riemen door dezelfde gleuf gaan in het zitkussen en de stoelrug.

## Lengte van riemen instellen

1. Gebruik de schuifregelaar om de lengte van de riemen in te stellen. **14 - 1**
2. Trek aan de taillieriem om deze op de juiste lengte aan te trekken **14 - 2**. Druk op de knop om de taillieriem los te maken. **14 - 3**

## Blad gebruiken

Blad monteren

1. Monteer de kruisriem en de bladhouder op het blad door in de opening onderop het blad te drukken totdat u een klikkend geluid hoort. **15 16**  
! Zowel de kruisriem als de bladhouder kunnen slechts in één richting worden gemonteerd. De sleuven op de bevestiging voor de kruisriem en bladhouder moeten worden uitgelijnd met de ribben in de opening van de onderkant van het blad.
2. Plaats de bladgeleiders in de openingen in de zitting en schuif vooruit totdat u een klikkend geluid hoort. **17** Om het blad te verwijderen, knijpt u in de knop onder het blad en schuift u het eraf. **18**  
! De bladhoorn moet voorafgaand aan gebruik worden geplaatst in het blad. Wanneer de bladhoorn is geplaatst, moet u niet proberen het te verwijderen.  
! Wees voorzichtig bij het afstellen van het blad omdat het blad volledig kan worden verwijderd van de zitting.

Bladinstelling

1. Het blad heeft 3 standen. De afstand tussen uw kind en het blad kan als nodig worden aangepast.
2. Knijp in de knop onder het blad en verplaats het blad totdat een gewenste positie wordt bereikt, en laat de knop vervolgens los. Als het blad niet automatisch wordt vergrendeld in de openingen, verplaatst u het blad totdat u een klikkend geluid hoort. **19**  
! Zorg ervoor dat de beide zijden van het blad even ver zijn uitgetrokken.  
! Trek het blad naar u toe om te controleren of beide geleiders vast zitten.

Opslag blad

1. Als het blad niet gebruikt wordt, kunt u het op de achterste poten opbergen.
2. Plaats het blad over de achterste poten en klik de bladgeleiders op hun plaats. **20**
3. Het opgeborgen blad is afgebeeld in **20**.

## Gebruik van extra eetblad

### Opmerking

1. Het extra eetblad kan samen met het speelblad gebruikt worden. Het kan er ook op blijven als het speelblad wordt opgeborgen.
2. Indien op de eettafel geplaatst kan het extra eetblad als dienblad worden gebruikt.

1. Om het extra eetblad te bevestigen plaatst u het over het speelblad totdat het vastklikt. **21**
2. Om het extra eetblad te verwijderen, trekt u de rand bij het buikdeel omhoog. **22**

## Hoogte voor stoel afstellen

1. De hoogte is in 7 standen instelbaar. U kunt de stoel op de juiste hoogte afstellen overeenkomstig de hoogte van uw eettafel, waardoor het gemakkelijker wordt voor uw kind om met het gezin mee te eten.

! **Stel de hoogte van de stoel NIET af terwijl uw kind er in zit.**

2. Voor het instellen van de hoogte, knijpt u in de knoppen voor hoogte-instelling aan beide zijden van de stoel **23 - 1**, en brengt u de zitting omhoog of omlaag naar de gewenste stand. **23 - 2**

## Leuning aanpassen

! **Stel de helling van de stoel NIET af terwijl uw kind er in zit.**

1. De leuning is in drie standen instelbaar.
2. Knijp de knop op de achterkant van de zitting **24 - 1** en druk omlaag of trek omhoog **24 - 2** om de rugleuning in de gewenste stand te plaatsen.



## Kinderstoel opvouwen

! **Vouw de stoel NIET in terwijl uw kind er in zit.**

Vouw de kinderstoel als volgt op:

1. Verwijder het blad voordat u de stoel opvouwt.
2. Voor de meest compacte opslag brengt u de zitting omlaag naar de laagste stand en stelt u de kuitsteun af op een horizontale of vlakke stand. **25**
3. Vouw de zitting op. **26**
4. Vouw het frame op. **27**
5. Plaats het blad op de achterste poten. **28**

## Zitkussen losmaken

1. Maak de 5-punts gesp los.
2. Trek de riemen door de achterkant van het zitkussen. 
3. Verwijder de twee banden van de rugleuning om het zitkussen los te maken. 

## Accessoires

Afhankelijk van de regio worden accessoires soms los verkocht en soms niet.

### Gebruik van stoelverkleiner

Indien nodig, gebruik de stoelverkleiner dan als afgebeeld op 

### Eetblad inzetdeel

Het eetblad inzetdeel kan samen met het speelblad gebruikt worden. Het kan er ook op blijven als het speelblad wordt opgeborgen.

Indien op de eettafel geplaatst kan het eetblad inzetdeel als dienblad worden gebruikt.

Om het eetblad inzetdeel te bevestigen plaatst u het over het speelblad totdat het vastklikt .

## Verzorging en onderhoud

- ! De bladafdekking en het inzetstuk van het blad zijn geschikt voor de afwasmachine.
- ! U kunt vlekken van het kussen verwijderen met een spons en zeepwater. GEEN bleekmiddel gebruiken.
- ! Laat het gewassen kussen uitlekken. NIET in de droogtrommel leggen.
- ! Maak het frame schoon met een vochtige doek en zacht wasmiddel, en veeg vervolgens alle sporen van vocht met een droge doek van het frame.
- ! Gebruik GEEN onverdund neutraal schoonmaakmiddel, benzine of andere organische materialen om de stoel te wassen. Dat kan de kinderstoel beschadigen.
- ! Controleer de kinderstoel af en toe op slijtage, scheuren en beschadigde naden. Vervang de onderdelen als dat nodig is.
- ! Als de stoel gedurende langere tijd niet wordt gebruikt, moet u hem ergens opbergen waar uw kind er niet bij kan.

# Opmerkingen

## RU Поздравляем!

Поздравляем — вы стали частью семьи Joie! Мы рады быть полезны вам и вашему малышу. Mimzy™ — это высококачественный стульчик для кормления, сертифицированный по европейским стандартам безопасности EN 14988:2017+A1:2020. Данное изделие подходит для детей в возрасте 6–36 месяца. Внимательно прочтите настоящее руководство и выполняйте все рекомендации, чтобы обеспечить удобство и максимальную безопасность ребенка.

# ПОЖАЛУЙСТА, ХРАНИТЕ РУКОВОДСТВО ПО ЭКСПЛУАТАЦИИ ДЛЯ ДАЛЬНЕЙШЕГО ИСПОЛЬЗОВАНИЯ.

Посетите сайт [joiebaby.com](http://joiebaby.com), чтобы скачать инструкцию или увидеть больше интересных товаров Joie. Для получения информации по гарантии, пожалуйста, посетите наш сайт [joiebaby.com](http://joiebaby.com)

## Содержание

Изображения ПРЕДОСТЕРЕЖЕНИЯ	1-6 73
<b>Сборка стульчика</b>	<b>74</b>
Открытие рамы	74
Сборка сиденья	74
<b>Использование стульчика</b>	<b>74</b>
Регулировка верхней подножки	74
Регулировка нижней подножки	74
Использование пряжки	74
Регулировка высоты ремней безопасности	75
Регулировка длины ремней безопасности	75
Использование подноса	75
Использование крышки подноса	76
Регулировка высоты сиденья	76
Регулировка наклона спинки	76
<b>Складывание стульчика</b>	<b>76</b>
Снятие чехла сиденья	77
Обслуживание и уход	77

## Непредвиденный случай

В случае чрезвычайной ситуации или аварии, самое главное, чтобы вашему ребенку была оказана своевременная медицинская помощь.

## Информация о стульчике

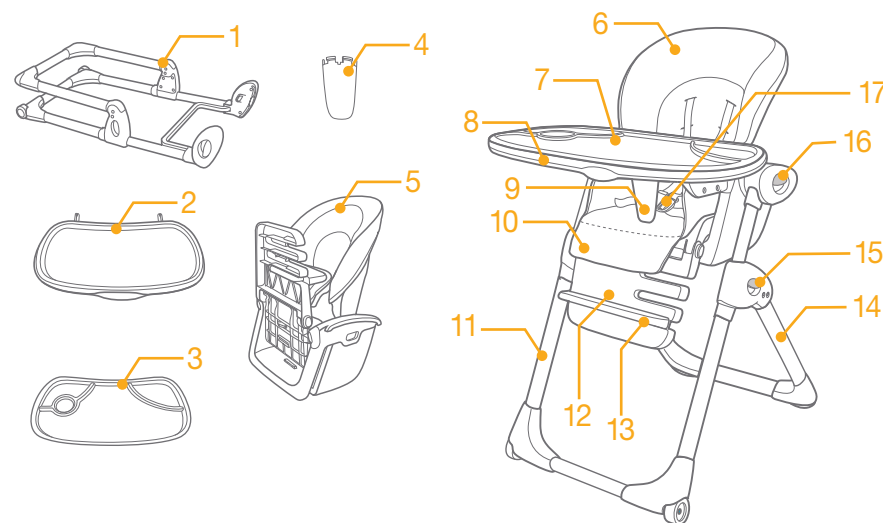
Перед началом использования обязательно прочтите все инструкции в этом руководстве. Если у вас возникли дополнительные вопросы, обращайтесь к продавцу.

<b>Наименование</b>	Стульчик для кормления Mimzy, Стульчик для кормления Mimzy 2in1
<b>Пригодно для</b>	Ребёнка до 15кг (6 - 36 месяцев)
<b>Материал</b>	Пластик, металл, текстиль
<b>Патент №</b>	В ожидании патента
<b>Сделано в</b>	Китае
<b>Бренд</b>	Joie
<b>Веб-сайт</b>	<a href="http://www.joiebaby.com">www.joiebaby.com</a>
<b>Производитель</b>	Allison GmbH

## Схема

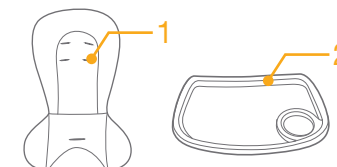
Пожалуйста, перед сборкой убедитесь, что все составляющие в комплекте и обратитесь к продавцу, в случае отсутствия какой-либо части комплектации. Для сборки не нужны инструменты.

1 Рама	6 Спинки	11 Передняя ножка	складывания
2 Поднос	7 Крышка подноса	12 Верхней подножка	16 Кнопка настройки
3 Крышка подноса	8 Поднос	13 Нижняя подножка	высоты
4 Разделитель ног	9 Разделитель ног	14 Задняя ножка	17 Пряжка
5 Сиденье	10 Чехол сиденья	15 Кнопка	



## Дополнительные аксессуары (Только в комплекте Mimzy 2 in 1)

- 1 Маленький чехол сиденья (у некоторых моделей)
- 2 Вставка подноса (у некоторых моделей)



## ПРЕДОСТЕРЕЖЕНИЯ

- ! Сборкой должен заниматься взрослый.
- ! Прочитайте все инструкции в руководстве, прежде чем собирать его или использовать..
- ! Пожалуйста, храните руководство по эксплуатации для дальнейшего использования.
- ! Использование стульчика для ребенка весом более 15 кг может привести к повреждению изделия.
- ! Игнорирование предостережений и инструкций может привести к травме ребёнка.
- ! Не вносите самостоятельно какие-либо модификации в конструкцию автокресла, а также не используйте его вместе с компонентами других производителей.
- ! Прекратите использовать стульчик, если он поврежден или сломан.
- ! Не используйте стульчик, если он собран или настроен не правильно.
- ! **ВНИМАНИЕ!** Никогда не оставляйте Вашего ребенка без присмотра. Всегда держите ребенка в поле зрения.
- ! Всегда используйте ремни безопасности, чтобы ваш ребёнок не выпал из стульчика.
- ! Следуйте инструкциям, чтобы правильно настроить ремни безопасности.
- ! Всегда пристёгивайте вашего ребёнка при помощи поясного и плечевого ремня безопасности. Поднос не рассчитан на то, что ваш ребёнок будет сидеть на нём.
- ! Не используйте стульчик до тех пор, пока ваш ребёнок сможет сидеть самостоятельно.
- ! Используйте спинку по сидячем положении только, если ваш ребёнок может сидеть самостоятельно.
- ! Не разрешайте ребёнку стоять на стульчике.
- ! Не поднимайте стульчик вместе с ребёнком в нём.
- ! Не разрешайте детям играть рядом со стульчик, если в нём кто-то есть.
- ! Не разрешайте вашему ребёнку переваливаться через края стульчика, он может перевернуться.
- ! Не кладите тяжёлых пакетов, сумок на поднос стульчика. Стульчик может перевернуться.
- ! Всегда используйте стульчик на ровной поверхности.
- ! Во избежание удущья ребёнка, не ставьте стульчик рядом с проводами.
- ! Перед использованием, убедитесь, что стульчик полностью разложен, все крепления затянуты и всё настроено правильно.
- ! Регулярно проверяйте стульчик на предмет поломок, острых углов, потерянных запчастей и ослабленных креплений для безопасности вашего ребёнка.
- ! Вытаскивайте вашего ребёнка из стульчика, если вам надо сложить его или настроить.
- ! Убедитесь, что стульчик полностью разложен или сложен, прежде чем подпускать к нему ребёнка.
- ! Обратитесь к продавцу по вопросам ремонта и обслуживания.
- ! Во избежание ожогов, не ставьте горячую еду на поднос.
- ! **ПРЕДУПРЕЖДЕНИЕ.** Убедитесь, что привязной ремень безопасности правильно установлен.
- ! **ВНИМАНИЕ!** Категорически запрещается оставлять ребенка без присмотра.
- ! Во избежание причинения тяжкого вреда здоровью или смерти ребенка в результате падения или выскальзывания обязательно используйте удерживающую систему и удостоверьтесь в ее правильной фиксации.
- ! Опасность падения: не разрешайте ребенку карабкаться по стульчику для кормления.
- ! Помните об опасности, которую представляют открытое пламя и другие источники интенсивного тепла, если они находятся вблизи стульчика для кормления.
- ! Во избежание причинения вреда здоровью ребенка, не складывайте и не раскладываете стульчик для кормления вблизи ребенка.
- ! Существует риск опрокидывания, если ребенок может оттолкнуться ногами от стола или других предметов.
- ! Всегда используйте систему фиксации.

## Сборка стульчика

Перед сборкой и использованием стульчика, пожалуйста, прочтите руководство полностью.

### Открытие рамы

1. Раздвиньте ножки до щелчка. **1**

### Сборка сиденья

1. Раскройте сиденье. **2**
2. Установите сиденье на раму **3**. Щелчок будет означать, что оно закреплено. **4**  
! Убедитесь что сиденье закреплено.

### Сборка чехла сиденья

Чтобы собрать чехол сиденья, выполните следующие действия:

1. Раскройте сиденье.
2. Проденьте 2 ремня через спинку сиденья. **5**  
! Убедитесь, что ремни хорошо зафиксированы.
3. Проденьте все ремни безопасности через чехол. **6**
4. Наденьте чехол сиденья на спинку сиденья.

## Использование стульчика

### Регулировка верхней подножки

1. У верхней подножки есть 2 уровня наклона.
2. Чтобы отрегулировать подножку, нажмите на кнопки по обе стороны подножки **7 - 1**, а затем поднимите её или опустите. **7 - 2**

### Регулировка нижней подножки

1. У верхней подножки есть 3 уровня.
2. Чтобы отрегулировать подножку, вытащите её **8**, и вставьте в нужный слот. **9**

### Использование пряжки

#### Важно!

1. Чтобы избежать серьезных травм от падения, обязательно закрепляйте вашего ребенка ремнями.
2. Убедитесь, что ваш ребёнок хорошо закреплён и пространство между ребенком и ремнём примерно равно толщине одной руки.
3. Не перекрещивайте ремни безопасности, они могут давить на шею ребёнка.

### Застегнуть пряжку

Соедините поясную и плечевую пряжку **10 - 1**. Ти защёлкните с центральной пряжкой. **10 - 2**. Щелчок означает, что пряжка полностью собрана. **10 - 3**

### Расстегнуть пряжку

Нажмите центральную кнопку, чтобы расстегнуть пряжку. **11**

## Регулировка высоты ремней безопасности

### Важно!

1. Ремни должны быть установлены на одной высоте с плечами или чуть выше.
2. Во избежание падения вашего ребёнка, пристегните его и убедитесь что ремни на правильной высоте.
3. Для крупного ребенка, используйте самый высокий слот, а для маленького ребенка, используйте самый низкий слот.

1. Выберите подходящие слоты в спинке сиденья и проденьте ремни безопасности через них. **12** **13**

! Когда настраиваете высоту ремней, убедитесь, что ремни проходят через одинаковый слоты по высоте.

## Регулировка длины ремней безопасности

1. Используйте регулятор, чтобы настроить высоту ремней. **14** - 1
2. Тяните ремень, чтобы настроить длину **14** - 2. Нажмите на кнопку, чтобы отсоединить ремень. **14** - 3

## Использование подноса

### Сборка подноса

1. Прикрепите разделитель ног к подносу **15**. Щелчок будет означать, что он закреплён **16**.
2. Вставьте поднос до щелчка. **17** Чтобы убрать поднос, зажмите рычаг и вытащите его. **18**  
! Прикрепите разделитель ног до того, как устанавливать поднос.

### Настройка подноса

1. У подноса есть 3 позиции.
2. Зажмите рычаг и двигайте поднос. Отпустите рычаг, когда поднос достигнет нужной позиции. Если поднос не зафиксировался, двиньте его немного до щелчка. **19**

### Хранение подноса

1. Если поднос не используется, то его можно хранить на задних ножках.
2. Повесьте поднос на штырьках на задних ножках. **20**
3. Место для хранения показано на рис. **20**

## Использование крышки подноса

### Важно!

1. Крышку можно прикрепить к подносу. Также ее можно хранить вместе с подносом на задних ножках.
2. Крышку можно использовать как поднос для еды на обеденном столе.

1. Чтобы прикрепить крышку, поместите ее на поднос и надавите до щелчка. **21**
2. Чтобы снять крышку, потяните за петлю и поднимите крышку. **22**

## Регулировка высоты сиденья

1. У сиденья есть 7 позиции. Сиденье можно подстроить по уровень обеденного стола, чтобы ваш ребёнок мог кушать в кругу семьи.  
! Не настраивайте уровень сиденья с ребёнком в нём.
2. Чтобы настроить высоту сиденья, зажмите кнопки с обеих сторон сиденья **23** - 1, а затем поднимите или опустите его. **23** - 2

## Регулировка наклона спинки

! Не настраивайте наклон спинки с ребёнком в сиденье.

1. У спинки есть 3 позиции.
2. Зажмите рычаг на спинке **24** - 1, а затем поднимите или опустите спинку. **24** - 2

## Складывание стульчика

! Не складывайте стул, если ребёнок сидит в нём.

Чтобы сложить стульчик, выполните следующие действия.

1. Уберите поднос.
2. Для более компактного складывания, опустите сиденье и подножку. **25**
3. Сложите сиденье. **26**
4. Сложите раму. **27**
5. Повесьте поднос на задние ножки. **28**

## Снятие чехла сиденья

1. Расстегните ремень безопасности.
2. Вытащите ремни безопасности из чехла. <sup>29</sup>
3. Вытащите 2 ремня из спинки, чтобы снять чехол. <sup>30</sup>

## Аксессуары

Аксессуары могут продаваться отдельно и не быть доступными для продажи в зависимости от региона.

### Маленький чехол сиденья

При необходимости использования маленького чехла, осуществите сборку как указано на рис <sup>31</sup>.

### Установка вкладыша

Вкладыш можно прикрепить к подносу. Также его можно хранить вместе с подносом на задних ножках.

Вкладыш можно использовать как поднос для еды на обеденном столе.

Чтобы прикрепить вкладыш, поместите его на поднос и надавите до щелчка. <sup>32</sup>

## Обслуживание и уход

- ! Вкладыш и крышку подноса можно мыть в посудомойке.
- ! Сиденье можно почистить губкой и мыльной водой. Не используйте отбеливатель.
- ! Не отжимайте. Сушите в тени. Не сушите в сушилке.
- ! Чтобы очистить раму, используйте мыло и тёплую воду. Не используйте отбеливатель или моющее средство.
- ! Время от времени, проверяйте коляску на предмет раскрутившихся болтов, изношенных деталей, порванного текстиля или разошедшихся швов. Поменяйте или отремонтируйте непригодные части.
- ! Если стул не используется, уберите его в место, где его не достанет его ребёнок.

# Для записей



## TR Joie™ Hoş geldiniz

Joie ailesinin bir parçası olduğunuz için sizi tebrik ederiz! Hayatınızın küçük bir parçası olmaktan çok mutluyuz. Joie MIMZY'yi kullanırken, yüksek kaliteli, sertifika onaylı ve Avrupa EN 14988:2017+A1:2020, güvenlik standartları kabul edilmiş bir sandalye kullanıyor olacaksınız. Bu ürün 6 – 36 aylık çocuklarda kullanıma uygundur. Lütfen kılavuzu dikkatlice okuyunuz ve çocuğunuz için keyifli bir deneyim ve güvenli bir kullanım sağlayabilmek için kılavuzdaki her adımı özenle takip ediniz.

# ÖNEMLİ! DAHA FAZLA BİLGİ İÇİN BİZİ TAKİP EDİNİZ!

Kılavuzları internet ortamında sağlamak için joiebaby.com sitesini ziyaret ediniz ve diğer Joie ürünlerini inceleyiniz! Garanti bilgisi için lütfen joiebaby.com adresindeki web sitemizi ziyaret edin

## İçerik

Şekiller	1-6
UYARILAR	81
<b>Mama Sandalyesi Montaj</b>	<b>82</b>
Açık Çerçeve	82
Sandalyenin Montajı	82
Oturma Padi Montajı	82
<b>Mama Sandalyesi Kullanım</b>	<b>82</b>
Diz Desteğinin Ayarlanması	82
Ayak Dayanan Yerin Ayarlanması	82
Kemerin Kullanımı	82
Omuz Yüksekliğinin Ayarlanması	83
Kemer Uzunluğunun Ayarlanması	83
Tablanın Kullanımı	83
Tepsi Kılıfının Kullanımı	84
Sandalye Yüksekliğinin Ayarlanması	84
Sandalye Sirtının Ayarlanması	84
<b>Sandalyenin Katlanması</b>	<b>84</b>
<b>Sandalye Pedinin Takılması</b>	<b>85</b>
Aksesuarlar	85
Bakım ve Saklama	85

## Acil Durum

Acil durumlarda ya da bir kaza anında, çocuğunuza ilk yardım uygulamanız ve anında medikal tedavi uygulamanız çok önemlidir.

## Ürün Bilgisi

Ürünü kullanmadan önce kılavuzdaki tüm talimatları okuyunuz. Eğer daha fazla bilgi almak isterseniz lütfen yerel dağıtıcınızla iletişime geçiniz.

### Ürün

Uygunluk

Patent No.

Üretildiği yer

Ürün ismi

Web site

Üretici

Mimzy Mama sandalyesi, Mimzy 2in1 Mama sandalyesi

15 kilogramın altındaki çocuklar (6-36 ay) Materyal Plastik, metal, kumaş

Patent bekliyor

Çin

Joie

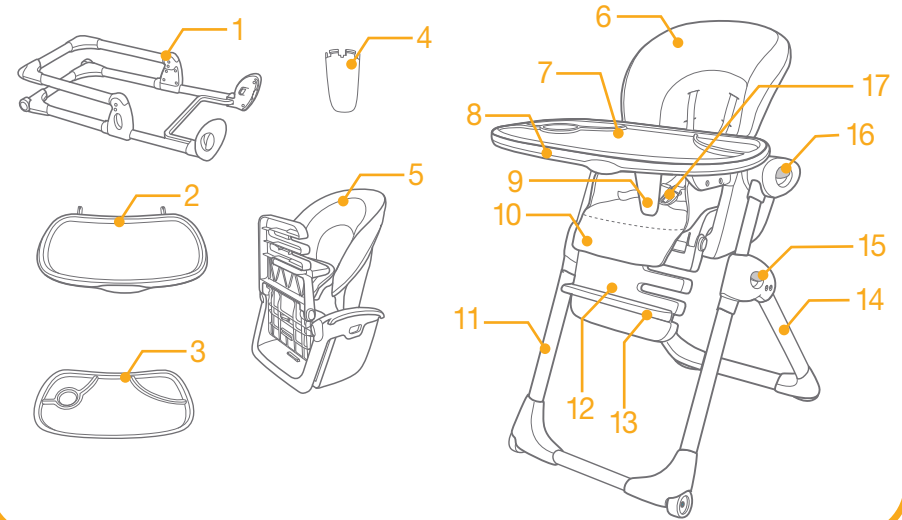
www.joiebaby.com

Allison GmbH

## Parça Listesi

Montajdan önce tüm parçalara sahip olduğunuzdan emin olunuz. Eğer parçalardan biri eksikse lütfen yerel dağıtıcınızla iletişime geçiniz. Montaj için hiçbir alete gereksinim yoktur.

1 Çerçeve	6 Arka Minder	11 Ön ayak	16 Yükseklik Ayar Tuşu
2 Tepsi	7 Tepsi Kılıfı	12 Diz Desteği	17 5-noktalı kemer
3 Tepsi Kılıfı	8 Tepsi	13 Ayak dayama	
4 Tepsi Borusu	9 Tepsi Borusu	14 Arka bacak	
5 Sandalye	10 Koltuk Minderi	15 Katlama Tuşu	

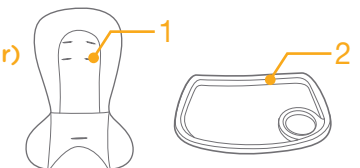


## Aksesuarlar

(Sadece Mimzy 2'si 1 aradaya dahil edilmiştir)

1 Oturma Padi (bazı modellerde)

2 Tepsi Yuvası (bazı modellerde)



## UYARILAR

- ! Yetişkin bir bireyin montaj yapması gerekmektedir.
- ! Montajdan ve ürünü kullanmadan önce lütfen buradaki tüm talimatları okuyunuz.
- ! Lütfen ileride başvurmak için kılavuzu saklayınız.
- ! Bu ürün 6 ile 36 aylık çocuklar için uygundur. (15 kg'ın altında)
- ! Buradaki uyarıları ve talimatlarını dikkate almazsanız ciddi yaralanmalar, ölümcül sonuçlarla karşılaşabilirsiniz.
- ! Sandalyenin montajında değişiklik yapmayınız ve diğer satıcılardan aldığınız farklı parçaları KULLANMAYINIZ.
- ! Sandalyenin parçalarından biri kırık, bozuk ya da eksikse ürünü KULLANMAYINIZ.
- ! Sandalyenin tüm parçaları yer yerine oturmadan ve ayarlanmadan ürünü KULLANMAYINIZ.
- ! UYARI! Çocuğunuzu asla gözetimsiz bırakmayınız. Her zaman göz kulak olunuz.
- ! Çocuğunuzun kayıp düşerek ciddi yaralar almasını ve ölümcül sonuçları engellemek için kemerini çıkartmayınız.
- ! Kemer tokasının düzgünce takıldığından emin olmak için bu talimatları dikkatlice okuyunuz.
- ! Çocuğunuz her pozisyondayken kemer tokasının düzgünce yerine oturduğundan emin olunuz.
- ! Tepsi çocuğunuzun kaldırılabileceği şekilde tasarlanmamıştır.
- ! Çocuğunuz yardım almadan oturmaya başlamadan sandalyeyi KULLANMAYINIZ.
- ! Ürünün sadece çocuklar yardım almadan oturmaya başladığında kullanılmaya başlanması önerilmektedir.
- ! Çocuğunuzun sandalyede ayağa kalkmasına İZİN VERMEYİNİZ.
- ! Çocuğunuz sandalyede iken sandalyenin yerini değiştirmeyiniz.
- ! Çocuğunuz sandalyede iken diğer çocukların sandalye etrafında olmasına İZİN VERMEYİNİZ.
- ! Çocuğunuzun sandalyeden sarkmasına izin vermeyiniz. Sandalyede dengesini kaybedip düşebilir.
- ! Sandalye üzerine ağır çanta, paket ya da diğer eşyaları koymayınız. Sandalyenin bozulmasına neden olabilir bu durum.
- ! Sandalyeyi her zaman düz bir zeminde kullanınız.
- ! Sandalyenin güçlü ateşe dayanıklı olmadığını unutmayınız ve sandalyeyi elektrik sobası, soba ya da kalorifer gibi ısıtıcıların çok fazla yanına koymayınız.
- ! Sandalyenin düşme ihtimaline karşılık sandalyeyi telefon gibi kablolu cihazların olduğu yerlere koymaktan kaçınınız.
- ! Ürün kullanılmadan önce tüm parçaların düzgünce yerine oturmuş olması gerekmektedir.
- ! Güvenlik için sık sık sandalyenin kilitlerini kontrol ediniz.
- ! Sandalyenin zarar gören bir parçası olup olmadığını anlamak için sık sık kontrol ediniz.
- ! Sandalyeyi katlamadan ve ayar yapmadan önce çocuğunuzu mutlaka sandalyeden alınız.
- ! Çocuğunuz sandalyeye ulaşmadan önce ürün mutlaka tamamen açık ya da kapalı olmalıdır.
- ! Bakım, onarım ve parça değişimi ile ilgili bilgi almak için yerel dağıtıcınızla iletişime geçiniz.
- ! Yanmalardan kaçınmak için sandalye tepsisine çok sıcak yemekler koymayınız.
- ! UYARI Emniyet kemerinin doğru biçimde takıldığından emin olun.
- ! Çocuğunuzu asla gözetimsiz bırakmayınız.
- ! Kayarak veya düşerek yaralanmaları engellemek için her zaman kemeri doğru bir şekilde bağladığınızdan emin olunuz.
- ! Düşme tehlikesi : Çocuğunuzun sandalyeye tırmanmasına izin vermeyiniz.
- ! Mama sandalyesini açık ateş ve diğer güçlü ısı kaynaklarından uzağa koyunuz.
- ! Yaralanmaları engellemek için mama sandalyesini açarken ve kapatırken çocuğunuzu uzak tutunuz.
- ! Çocuğunuz ayağını bir masa veya başka bir yapıya dayayıp ittiğinde sandalyenin devrilebileceğini göz önünde bulundurunuz.
- ! Daima emniyet sistemini kullanın.

## Sandalye Montajı

Montaj ve ürünün kullanımından önce lütfen kullanım kılavuzundaki talimatlarını okuyunuz.

### Açık Çerçeve

1. "Click" sesini duyuna kadar arka bacağı çekin 1

### Sandalyenin Montajı

1. Sandalyeyi açın 2
  2. Koltuğu çerçeveye oturtun 3. "Click" sesi koltuğun oturduğunu gösterir. 4
- ! Koltuk kilitlenceye kadar yukarı kaldırın.

### Koltuk Pedinin Montajı

Aşağıdaki adımları izleyerek koltuk pedinin montajını yapabilirsiniz:

1. Koltuğu açın.
  2. Koltuğun arkasındaki kayışları yerine yerleştiriniz. 5
- ! Kayışların yerine yerleştiğinden ve koltuğun kaymadığından emin olunuz.
3. Koltuk pedindeki tokaları takınız. 6
  4. Koltuğu yerine sıkıca yerleştiriniz.

## Sandalyenin Kullanımı

### Diz Desteğinin Ayarlanması

1. Diz desteği iki pozisyon ayarlıdır.
2. Sandalyenin iki yanındaki ayar tuşlarına basınız 7 - 1 , ve diz desteğini aşağı ya da yukarı oynatınız. 7 - 2

### Ayak Desteğinin Ayarlanması

1. Ayak desteği üç farklı pozisyon ayarına sahiptir.
2. Desteğini ayarlamak için destek kısmını diz desteğinden ayırınız 8 ,istediğiniz pozisyonu seçiniz ve desteği tekrar diz desteği ile birleştiriniz. 9

### Kemerin Kullanımı

#### Not

1. Çocuğunuzun koltuktan kayıp düşmesi sonucu ciddi yaralanmaları ve ölümcül sonuçları engellemek için her zaman kemeri takınız.
2. Kemerin içinden kayıp düşmesini engellemek için kemerin her zaman onun büyüklüğüne uygun olarak bağlandığından emin olunuz.
3. Omuz kemerini çapraz bağlamayınız. Bu şekilde çocuğunuzun boynunu sıkabilirsiniz .

### Kemerin Kilitlenmesi

Bel kemerini omuz kemeri ile paralel olacak şekilde bağlayınız 10 - 1.İki kemeri de merkeze takın.10 - 2."Click" sesi kilitlemeye işaret eder . Diğer kısım için de işlemi tamamlayınız. 10 - 3

### Kemer Açın

Kemerleri açmak için ortadaki tuşa basın. 11

## Omuz Yüksekliğinin Ayarlanması

### Not

1. Omuz yüksekliği çocuğun omuzlarından birazcık üstte olacak şekilde ayarlanmalıdır.
2. Çocuğunuzun düşmesini engellemek için onu sandalyeye oturtuktan sonra omuz yüksekliğini doğru ayarladığınızdan emin olun.
3. Daha büyük çocuklar için üst delikleri kullanınız. Daha küçük çocuklar için alt delikleri kullanınız.

1. Doğru yükseklik deliklerini seçiniz. Kemerleri koltuğun ön ve arka kısımlarındaki doğru yerlerine yerleş-tirin. **12** **13**  
! Kemer tokalarındaki yerleri değiştirmek istediğinizde koltuğun ön ve arka kısımlarındaki kemerlerin paralel olduğundan emin olunuz.

## Kemer Uzunluklarının Ayarlanması

1. Uzunluk ayarı için ayarlayıcıyı kaydırınız. **14** - 1
2. Sıklık ayarı için ortadaki kemeri sıkınız **14** - 2. Kemeri açmak için tuşa basınız. **14** - 3

## Tepsinin Kullanımı

### Tepsi Montajı

1. Alt kısımdaki kemeri yerine yerleştirip tepsiyi tepsi koymanız gereken yere bastırıp "Click" sesini bekleyiniz **15**.  
Hem alt kısımdaki kemer hem de tepsi bir yöne doğru yerleştirilebilir. Alt kemerin delikleri ile tepsinin takılacağı tırnaklar birbirlerine uygun gelecek şekilde montaj yapılacaktır **16**.
2. Tepsinin tırnaklarını sandalyenin deliklerine yerleştiriniz ve "Click" sesini bekleyiniz. **17** TTepsiyi çıkartmak için tepsinin altındaki tuşa basıp ittiniz. **18**  
! Tepsinin tablası kullanımdan önce tepsiye monte edilmelidir. Tepsi tablasını monte ettikten sonra onu çıkartmaya çalışmayınız.  
! Tepsiyi ayarlarken tepsinin sandalyeden tamamen çıktığından emin olunuz

### Tepsi Ayarı

1. Tepsinin 3 pozisyonu vardır. Çocuğunuz ile tepsi arasındaki uzaklık istendiği gibi ayarlanabilir.
2. Tepsinin altındaki butona basınız ve tepsiyi istediğiniz pozisyona getirinceye kadar tepsiyi ittiniz. Daha sonra butona basmayı bırakınız. Eğer tepsiyi kilitleyecekseniz mutlaka "Click" sesini duymanız gerekir. **19**  
! Tepsinin her iki kısmının da düzgün olduğundan emin olunuz  
! Tepsiyi çekerek kilitletiğinizden emin olunuz

### Tepsinin Saklanması

1. Tepsiyi kullanmadığınız zamanlarda mutlaka arka bacakların üzerine oturtunuz.
2. Tepsiyi arka bacakların üzerine oturtup tepsiyi yerleştiriniz. **20**
3. Ekstra bilgi için şekle bakınız **20**

## Tepsi Kapağı Kullanımı

### Not

1. Tepsi kapağı tepsiyle birlikte kullanılabilir. Tepsi saklandığında da üzerinde kalabilir.
2. Yemek masasına yerleştirirken, tepsi kapağı servis tepsi olarak kullanılabilir.

1. Tepsi kapağını takmak için, kapağı tepsinin üzerine yerleştirin ve tırnak yerine oturuncaya kadar aşağı doğru bastırın. **21**
2. Tepsi kapağını çıkarmak için, tırnağı oturma alanına yakın tutun ve yukarı çekin, ardından tepsi kapağını yukarı kaldırın. **22**

## Koltuk Yüksekliğinin Ayarlanması

1. 7 yükseklik pozisyonu vardır. Koltuk yemek masanıza göre çocuğunuzun ailecek yediğiniz yemeye adapte olması için farklı ayarlara sahiptir.  
! **Çocuğunuz mama sandalyesinde iken ayar yapmayınız.**
2. Yükseklik ayarı için koltuğun iki yanındaki butonlara basınız **23** - 1, ve istediğiniz yüksekliği seçiniz. **23** - 2

## Arkalığın Ayarlanması

! **Çocuğunuz mama sandalyesinde iken ayar yapmayınız.**

1. Arkalık için 3 farklı ayar mevcuttur.
2. Koltuğun arkasındaki butona basınız **24** - 1, ve aşağı yukarı ittiniz **24** - 2 koltuğu istediğiniz pozisyona getirip ayar tuşunu bırakınız.

## Mama Sandalyesinin Katlanması



! **Çocuğunuz mama sandalyesinde iken sandalyeyi katlamayınız.**

Aşağıdaki adımları izleyerek sandalyenizi katlayabilirsiniz.

1. Katlamadan önce tepsiyi çıkartınız.
2. En iyi şekilde sandalyenin saklanabilmesi için diz destek birimlerini yatay ya da dikey getirecek şekilde ayarlayınız **25**
3. Sandalyeyi katlayınız. **26**
4. Çerçeveyi katlayınız. **27**
5. Tepsiyi arka bacaklara oturtun. **28**

# Notlar

## Koltuk Pedinin Çıkartılması

1. 5 delikli kemeri çıkartın.
2. Kemer arka kısma doğru çekiniz. 
3. Padi çıkartmak için koltuğun üzerindeki tırnakları sökünüz. 

## Aksesuarlar

Aksesuarlar, bölgeye bağlı olarak ayrı satılabilir veya mevcut olmayabilir.


### Küçük Eklenti Takımı

Küçük eklenti kullanmak gerekirse lütfen  ile gösterildiği gibi monte edin .

### Tepsi Parçası

Tepsi parçası tepsiyle birlikte kullanılabilir. Tepsi saklandığında da üzerinde kalabilir.

Yemek masasına yerleştirirken, tepsi parçası servis tepsi olarak kullanılabilir.

Tepsi parçasını takmak için, kapağı tepsinin üzerine yerleştirin ve tırnak yerine oturuncaya kadar aşağı doğru bastırın. 

## Bakım ve Saklama

- ! Tepsi kılıfı ve tepsi tablası bulaşık makinesinde yıkanabilir.
- ! Koltuk pedi sünger ve sabunlu su ile temizlenebilir. Çamaşır suyu KULLANMAYINIZ.
- ! Yıkanan koltuk pedi iyice kurutulmalıdır. Kurutucu KULLANMAYINIZ.
- ! Çerçeveyi temizlemek için yumuşak bir deterjan ile nemli bir bez kullanabilirsiniz.
- ! Gaz yağı, kir çözücü ya da yumuşatıcı deterjan vb. maddeler mama sandalyesinin temizliğinde kullanılmamalıdır. Sandalye zarar görebilir.
- ! Zaman zaman mama sandalyenizi bozuk, kırık bir parçası var mı diye kontrol ediniz. Gerekirse o parçaları değiştiriniz.
- ! Eğer mama sandalyesini uzunca bir süre kullanmayacaksanız çocuğunuzun erişemeyeceği bir yerde saklayınız.

## EL Καλωσήρθατε στη Joie™

Συγχαρητήρια που γίνετε μέλος της οικογένειας Joie! Είμαστε πολύ ενθουσιασμένοι που γίνετε μέρος της ζωής σας και του παιδιού σας. Χρησιμοποιώντας το κάθισμα φαγητού Mimzy, χρησιμοποιήστε ένα κάθισμα υψηλής ποιότητας, πιστοποιημένο με τα Ευρωπαϊκά ΠΡΟΤΥΠΑ EN 14988:2017+A1:2020. Το προϊόν είναι κατάλληλο για χρήση 6-36 μηνών. Παρακαλώ διαβάστε προσεκτικά τις οδηγίες και ακολουθήστε όλα τα βήματα για να έχετε μία ευχάριστη εμπειρία και τη καλύτερη προστασία για το παιδί σας.

## ΣΗΜΑΝΤΙΚΟ! ΚΡΑΤΗΣΤΕ ΤΙΣ ΟΔΗΓΙΕΣ ΓΙΑ ΤΟ ΜΕΛΛΟΝ

Επισκεφτείτε την ιστοσελίδα [www.joiebaby.com](http://www.joiebaby.com) για να κατεβάσετε τις οδηγίες αλλά και για να δείτε άλλα ενδιαφέροντα Joie προϊόντα

Για πληροφορίες εγγύησης, παρακαλώ επισκεφθείτε τον ιστότοπό μας [joiebaby.com](http://joiebaby.com)

### Περιεχόμενα

Στοιχεία ΠΡΟΕΙΔΟΠΟΙΗΣΕΙΣ	1-6 89
<b>Συναρμολόγηση καθίσματος</b>	<b>90</b>
Άνοιγμα Σκελετού	90
Συναρμολόγηση καθίσματος	90
<b>Λειτουργία Καθίσματος</b>	<b>90</b>
Ανάκλιση υποποδίου	90
Ρύθμιση Υποποδίου	90
Χρήση Ζωνών	90
Ρύθμιση Ύψους ιμάντες ώμου	91
Ρύθμιση Μήκος ιμάντων	91
Χρήση Δίσκου	91
Χρήση κάλυμμα δίσκου	92
Ρύθμιση ύψους καθίσματος	92
Ρύθμιση Ανάκλισης	92
<b>Κλείσιμο καθίσματος</b>	<b>92</b>
<b>Αφαίρεση Μαξιλαράκι καθίσματος</b>	<b>93</b>
Φροντίδα και Συντήρηση	93

### ΕΠΕΙΓΟΝ

Σε περίπτωση ατυχήματος το πιο σημαντικό είναι να διθούν γρήγορα και σωστά οι πρώτες βοήθειες στο παιδί σας άμεσα.

## Πληροφορίες Προϊόντος

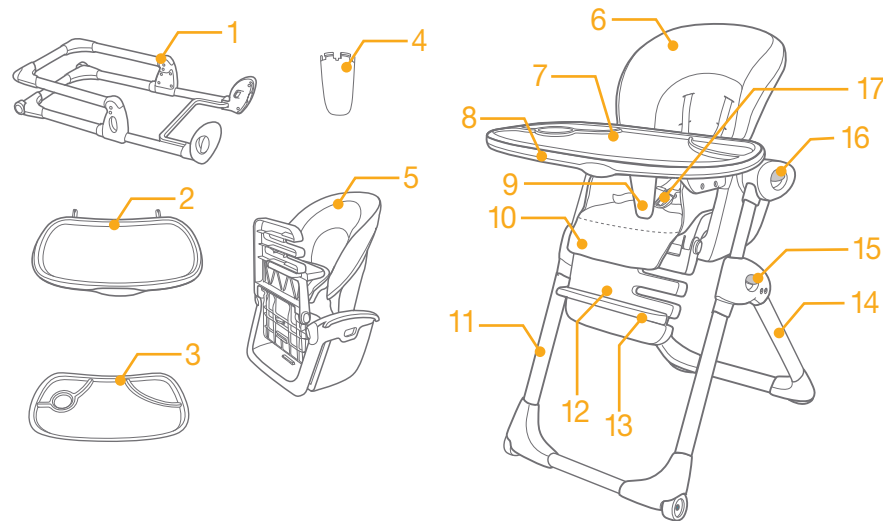
Διαβάστε όλες τις οδηγίες του εγχειριδίου πριν τη χρήση του. Αν έχετε περαιτέρω ερωτήσεις παρακαλώ απευθυνθείτε στο τοπικό σας αντιπρόσωπο.

<b>Προϊόν</b>	Mimzy Κάθισμα Φαγητού, Mimzy 2in1 Κάθισμα Φαγητού
<b>Κατάλληλο</b>	Παιδιά κάτω των 15kg (6-36μηνών)
<b>Υλικά</b>	Πλαστικά, Μεταλλικά, υφάσματα
<b>Πιστοποίηση πατέντας</b>	Εκρεμμεί
<b>Κατασκευασμένο</b>	Κίνα
<b>Εταιρεία</b>	Joie
<b>Ιστότοπος</b>	<a href="http://www.joiebaby.com">www.joiebaby.com</a>
<b>Κατασκευαστής</b>	Allison GmbH

### Κατάλογος Ανταλλακτικών

Σιγουρευτείτε ότι όλα τα κομμάτια υπάρχουν. Αν λείπει κάτι παρακαλώ επικοινωνήστε με τον αντιπρόσωπο. Δεν απαιτούνται εργαλεία για τη συναρμολόγηση.

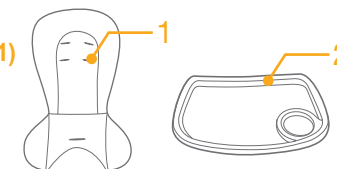
1 Σκελετός	6 Πλάτη	10 Μαξιλαράκι Καθίσματος	14 Πίσω πόδι
2 Δίσκος	7 Κάλυμμα Δίσκου	11 Μπροστινό πόδι	15 Κουμπί κλεισίματος
3 Κάλυμμα Δίσκου	8 Δίσκος	12 Ανάκλιση Υποποδίου	16 Κουμπί ρύθμισης ύψους
4 Πλαστικό Συγκράτησης	9 Πλαστικό Συγκράτησης	13 Υποπόδιο	17 Ζώνη 5-σημείων
5 Κάθισμα			



### Αξεσουάρ

(συμπεριλαμβάνονται μόνο στην MIMZY 2 σε 1)

- 1 Μαξιλάρι καθίσματος (σε ορισμένα μοντέλα)
- 2 Ενθετός Δίσκος (σε ορισμένα μοντέλα)



## ΠΡΟΕΙΔΟΠΟΙΗΣΕΙΣ

- ! Απαιτείται η παρουσία Ενήλικα για τη συναρμολόγηση.
- ! Παρακαλώ διαβάστε όλες τις οδηγίες πριν τη συναρμολόγηση και τη χρήση.
- ! Παρακαλώ κρατήστε τις οδηγίες και για το μέλλον.
- ! Το προϊόν είναι κατάλληλο για παιδιά μεταξύ 6-36μηνών (κάτω των 15kg).
- ! Αγνοώντας τις προειδοποιήσεις και τις οδηγίες συναρμολόγησης μπορεί να προκληθούν ατυχήματα .
- ! Μην κάνετε καμία τροποποίηση σε αυτό κάθισμα ή μην χρησιμοποιήσετε ανταλλακτικά από άλλους κατασκευαστές.
- ! Μην χρησιμοποιήσετε το κάθισμα σε περίπτωση που κάποιο κομμάτι έχει σπάσει ή λείπει.
- ! Μην χρησιμοποιήσετε το κάθισμα αν δεν έχουν τοποθετηθεί σωστά όλα τα εξαρτήματα .
- ! ΠΡΟΕΙΔΟΠΟΙΗΣΗ! Μην αφήνετε ποτέ το παιδί σας χωρίς επίτηρηση, πάντα να το βλέπεται.
- ! Προς αποφυγή ατυχημάτων πέφτοντας ή γλιστρώντας πάντα να δένεται το παιδί με τη ζώνη.
- ! Ακολουθείστε σωστά τις οδηγίες και σιγουρευτείτε ότι η ζώνη εφάπτεται σωστά .
- ! Σιγουρευτείτε ότι το παιδί είναι δεμένο και στην όρθια αλλά και στη ανακλινόμενη θέση .Ο δίσκος δεν είναι σχεδιασμένος για να κρατάει το παιδί .
- ! Μην χρησιμοποιείτε το κάθισμα μέχρι το παιδί σας να στέκεται όρθιο χωρίς βοήθεια.
- ! Συνιστάται το προϊόν να χρησιμοποιηθεί σε όρθια θέση μόνο από παιδιά ικανά να κάθονται σε όρθια θέση χωρίς βοήθεια.
- ! Μην αφήνετε το παιδί σας να στέκεται όρθιο στο κάθισμα.
- ! Μην σηκώνετε ή μεταφέρεται το κάθισμα όταν είναι μέσα το παιδί .
- ! Μην αφήνετε το παιδί να παίζει με το κάθισμα όταν είναι μέσα άλλο παιδί .
- ! Μην αφήνετε το παιδί να στηρίζεται στις πλευρές του καθίσματος, καθώς έτσι μπορεί να γίνει ασταθές και να ανατραπεί.
- ! Μην τοποθετείτε βαριά αντικείμενα,σακούλες στο δίσκο του καθίσματος.Αυτό μπορεί να προκαλέσει ανατροπή.
- ! Πάντα να το χρησιμοποιείτε στο πάτωμα .
- ! Να προσέχετε τους κινδύνους φωτιάς από τζάκι και άλλες πηγές ισχυρής θερμότητας όπως πυρκαγιές κ.λ.π κοντά στο κάθισμα.
- ! Προς αποφυγή κινδύνου στραγγαλισμού μην τοποθετείτε το προϊόν σε οποιαδήποτε θέση όπου υπάρχουν καλώδια, όπως καλώδια ηλεκτρικών κουρτινών, καλώδια τηλεφώνου κ.λ.π.
- ! Όλα τα εξαρτήματα συναρμολόγησης πρέπει ξετυλιγόνται πλήρως, σφικτά και ασφαλισμένα σωστά πριν τη χρήση του προϊόντος.
- ! Να ελέγχεται τακτικά τις κλειδαριές και τα εξαρτήματα .
- ! Να ελέγχεται τακτικά το προϊόν για κατεστραμμένο υλικό, χαλαρές αρθρώσεις, κομμάτια που μπορεί να λείπουν ή αιχμηρές γωνίες.
- ! Να μετακινήσετε το παιδί πριν θελήσετε να το κλείσετε ή να ρυθμίσετε το κάθισμα.
- ! Επιβεβαιώστε ότι το κάθισμα είναι κλειστό καλά ή ανοιχτό σωστά πριν αφήσετε το παιδί σας να το πλησιάσει
- ! Συμβουλευτείτε τον αντιπρόσωπο σας για θέματα συντήρησης και επισκευής.
- ! Προς αποφυγή καψίματος , μην τοποθετείτε καυτό φαγητό στο δίσκο.
- ! ΠΡΟΣΟΧΗ Σιγουρευτείτε ότι ο ιμάντας ασφαλείας έχει τοποθετηθεί σωστά.
- ! ΠΡΟΕΙΔΟΠΟΙΗΣΗ Μην αφήνετε ποτέ το παιδί σας χωρίς επίτηρηση
- ! Για να αποφύγετε σοβαρό τραυματισμό ή θάνατο από πτώση ή από ολίσθηση, να χρησιμοποιήτε πάντα το σύστημα ασφάλειας και βεβαιωθείτε ότι έχει τοποθετηθεί σωστά.
- ! Μείωση κινδύνου: Αποτρέψτε το παιδί σας να σκαρφαλώνει στην καρέκλα
- ! Να έχετε υπόψιν σας τον κίνδυνο πυρκαγιάς ή άλλες πηγές ισχυρής θερμότητας κοντά στην καρέκλα
- ! Κρατήστε τα παιδιά μακριά όταν ανοιγοκλείνετε το προϊόν για να αποφύγετε τραυματισμούς.
- ! Να έχετε υπόψιν σας τον κίνδυνο κλίσης, όταν το παιδί σας μπορεί να σπρώξει τα πόδια του από ένα τραπέζι ή οποιαδήποτε άλλη επιφάνεια
- ! Χρησιμοποιείτε πάντα το σύστημα συγκράτησης.

## Συναρμολόγηση Καθίσματος

Παρακαλώ διαβάστε όλες τις οδηγίες πριν συναρμολογήσετε το κάθισμα σας .

### Άνοιγμα Σκελετού

1. Περιστρέψτε το πίσω πόδι πίσω μέχρι να ακουστεί ένα «κλικ» ❶

### Συναρμολόγηση Καθίσματος

1. Ανοίξτε το κάθισμα. ❷
  2. Τοποθετήστε το κάθισμα μέσα στο σκελετό ❸, όταν ακουστεί ένας ήχος «κλικ» σημαίνει ότι το κάθισμα εφάπτεται σωστά στο σκελετό. ❹
- ! Σηκώστε το κάθισμα μέχρι να βεβαιωθείτε ότι είναι κλειδωμένο στη θέση του.

### Συναρμολόγηση μαξιλαριού

Συναρμολογήστε το μαξιλάρι ακολουθώντας τα παρακάτω βήματα:

1. Ανοίξτε το κάθισμα.
  2. Περάστε τους δύο ιμάντες μέσα από τις υποδοχές στην πλάτη του καθίσματος ❺
- ! Παρακαλώ σιγουρευτείτε ότι οι ιμάντες ασφαλίζουν στο κάθισμα πίσω προς αποφυγή του μαξιλαριού από ολίσθηση.
3. Τραβήξτε όλους τους ιμάντες μέσα από τις υποδοχές στο μαξιλάρι του καθίσματος. ❻
  4. Τυλίξτε το μαξιλάρι του καθίσματος από την κορυφή της πλάτης του καθίσματος.

## Λειτουργία Καθίσματος

### Άνοιγμα Σκελετού

1. Η ανάκλιση υποποδίου έχει 2 θέσεις ανάκλισης .
2. Πατήστε το κουμπί ρύθμισης και στις δύο πλευρές του καθίσματος ❷ - 1 και περιστρέψτε την ανάκλιση υποποδίου προς τα κάτω ή προς τα πάνω. ❷ - 2

### Ρύθμιση Υποποδίου

1. Το υποπόδιο έχει 3 θέσεις ρύθμισης .
2. Για να ρυθμίσετε το υποπόδιο αφαιρέστε το υποπόδιο από την ανάκλιση ❸, διαλέξτε μία επιθυμητή θέση και επανατοποθετήστε το υποπόδιο στην ανάκλιση υποποδίου . ❹

### Χρήση Ζώνης

#### Σημείωση

1. Προς αποφυγή σοβαρών ατυχημάτων ή θανάτου σε περίπτωση γλιστρήματος ή πείσματος σιγουρευτείτε ότι έχετε δεμένο καλά το παιδί σας.
2. Σιγουρευτείτε ότι οι ιμάντες εφάπτονται σωστά στο παιδί σας και το κενό μεταξύ παιδιού και ζώνης δεν πρέπει να υπερβαίνει το πταχος από μία παλάμη ενήλικα.
3. Μην σταυρώνεται τους ιμάντες των ώμων .Αυτό μπορεί να προκαλέσει πίεση στο λαιμό του παιδιού .

### Ασφάλιση Πόρπης

Αντιστοιχίστε τη ζώνη της μέσης με τους ιμάντες ώμων και σύρετε μαζί **10 - 1**. Τοποθετήστε τις ασφάλειες μέσα στην κεντρική ασφάλεια **10 - 2**. Ένας ήχος «κλικ» σημαίνει ότι έχει ασφαλίσει σωστά **10 - 3**. επαναλάβετε από την άλλη πλευρά.

### Αφαίρεση Πόρπης

Πατήστε το κουμπί στη κεντρική ασφάλεια και απελευθερώστε **11**.

## Ρύθμιση Ύψους για τους ιμάντες Ώμου

### Σημείωση

1. Ο ιμάντα ώμου πρέπει να πάει στην υποδοχή ή ελαφρώς πάνω στους ώμους.
2. Για να προστατέψετε το παιδί σας από πέσιμο μόλις καθήσει στο κάθισμα ελέγξτε τους ιμάντες ώμου ότι είναι ρυθμισμένοι στο σωστό ύψος.
3. Για χρήση σε μεγαλύτερο παιδί χρησιμοποιήστε τις άνω υποδοχές, για χρήση μικρότερου παιδιού χρησιμοποιείστε τις κάτω υποδοχές.

1. Επιλέξτε ένα ζευγάρι κατάλληλων υποδοχών ώμου. Περάστε τους ιμάντες ώμων στη θέση και στο κάθισμα. **12 13**

! Όταν αλλάζετε ιμάντες ώμου βεβαιωθείτε ότι οι ιμάντες εισχωρούν στις ίδιες υποδοχές και στη θέση και πίσω στο κάθισμα.

## Προσαρμογή των ιμάντων κατά μήκος

1. Χρησιμοποιείστε το ρυθμιστή ιμάντων για να ρυθμίσετε το μήκος. **14 - 1**
2. Τραβήξτε τον ιμάντα της μέσης για να σφίξετε στο κατάλληλο μήκος **14 - 2**. Πιέστε το κουμπί απελευθέρωσης για να χαλαρώσετε την ζώνη της μέσης. **14 - 3**

## Χρήση Δίσκου

### Προσαρμογή Δίσκου

1. Ευθυγραμμίστε τις υποδοχές στο κάτω μέρος του δίσκου **15**. Πιέστε μέχρι να ακουστεί ένας ήχος «κλικ» και το πλαστικό συγκράτησης έχει ασφαλίσει στο δίσκο **16**.
  2. Τοποθετήστε τους οδηγούς του δίσκου μέσα στις τρύπες του καθίσματος, σύρετε προς τα μπροστά μέχρι να ακουστεί ένας ήχος «κλικ». **17** Για να αφαιρέσετε το δίσκο πιέστε το κουμπί κάτω από το δίσκο και αποσύρετε. **18**
- ! Το Πλαστικό συγκράτησης πρέπει να μπει στο δίσκο πριν τη χρήση, όταν έχει μπει μην επιχειρήσετε να το αφαιρέσετε.
- ! Να είστε προσεκτικοί κατά τη ρύθμιση του δίσκου γιατί ο δίσκος μπορεί να αφαιρεθεί εντελώς από το κάθισμα.

### Ρύθμιση Δίσκου

1. Ο Δίσκος έχει 3 θέσεις. Η Απόσταση μεταξύ δίσκου και παιδιού πρέπει να είναι όσο χρειάζεται.
  2. Πατήστε το κουμπί κάτω από το δίσκο και μετακινήστε το δίσκο στην επιθυμητή θέση. Αν ο Δίσκος δεν κλειδώσει αυτόματα μέσα στις τρύπες μετακινήστε το δίσκο μέχρι να ακουστεί ένας ήχος «κλικ». **19**
- ! Εξασφαλίστε ότι και οι δύο πλευρές του δίσκου είναι σε Αντιστοιχες θέσεις.
- ! Τραβήξτε το δίσκο προς το μέρος σας για να εξασφαλίσετε ότι και οι δύο πλευρές είναι ασφαλείς.

### Αποθήκευση Δίσκου

1. Όταν ο δίσκος δεν είναι σε χρήση μπορεί να αποθηκευτεί στο πίσω πόδι.
2. Τοποθετήστε το δίσκο πάνω από το πίσω πόδι και πιάστε τους οδηγούς του δίσκου στη θέση του. **20**
3. Ο αποθηκευμένος δίσκος φαίνεται στη **20**.

## Χρησιμοποιήστε το κάλυμμα του δίσκου

### Σημείωση

1. Το κάλυμμα του δίσκου μπορεί να χρησιμοποιηθεί μαζί με το δίσκο. Μπορεί επίσης να παραμείνει συνδεδεμένος όταν αποθηκεύεται ο δίσκος.
2. Όταν τοποθετηθεί στο τραπέζι, το κάλυμμα του δίσκου μπορεί να χρησιμοποιηθεί ως δίσκος σερβιρίσματος.

1. Για να τοποθετήσετε το κάλυμμα του δίσκου, τοποθετήστε το πάνω από το δίσκο και σπρώξτε προς τα κάτω μέχρι να ασφαλίσει στη γλωττίδα στη θέση του. **21**

2. Για να αφαιρέσετε το κάλυμμα του δίσκου, πιάστε την προεξοχή κοντά στην περιοχή καθίσματος και τραβήξτε προς τα επάνω, έπειτα σηκώστε το κάλυμμα του δίσκου. **22**

## Ρύθμιση Ύψους για το κάθισμα

1. Υπάρχουν 7 θέσεις ρύθμισης ύψους, το κάθισμα μπορεί να προσαρμοστεί στο επιθυμητό ύψος ανάλογα το ύψος του τραπέζιού σας κάνοντας να αισθάνεται πιο άνετα το παιδί σας και τρώγοντας όλη η οικογένεια μαζί.

! Μην ρυθμίζετε το ύψος όταν κάθεται το παιδί.

2. Για να ρυθμίσετε το ύψος πιέστε το κουμπί ρύθμισης και στις δύο πλευρές του καθίσματος **23 - 1**, για να χαμηλώσετε ή να ψηλώσετε έτσι ώστε να φτάσετε στην επιθυμητή θέση. **23 - 2**

## Ρύθμιση Ανάκλισης

! Μην ρυθμίζετε την ανάκλιση του καθίσματος όταν είναι το παιδί μέσα.

1. Υπάρχουν 3 θέσεις ανάκλισης.
2. Πιέστε το κουμπί από πίσω στο κάθισμα **24 - 1** τραβήξτε προς τα επάνω ή σπρώξτε προς τα κάτω **24 - 2** στην επιθυμητή θέση.

## Κλείσιμο καθίσματος

! Μην κλείνετε το κάθισμα όταν είναι μέσα το παιδί.

Κλείστε το κάθισμα ακολουθώντας τα παρακάτω βήματα :

1. Αφαιρέστε το δίσκο πριν κλείσετε το κάθισμα.
2. Για ποιο συμπαγές κλείσιμο κατεβάστε το κάθισμα στο πιο χαμηλό επίπεδο και ρυθμίστε το πλαστικό συγκράτησης οριζόντια σε επίπεδη θέση. **25**
3. Κλείστε το κάθισμα. **26**
4. Κλείστε το σκελετό. **27**
5. Αποθηκεύστε το δίσκο στο πίσω πόδι. **28**

## Αφαίρεση μαξιλάρι καθίσματος

1. Αφαιρέστε τη ζώνη 5 σημείων.
2. Τραβήξτε τους ιμάντες από πίσω από το μαξιλάρι. <sup>29</sup>
3. Μετακινήστε τους δύο ιμάντες πλάτης του καθίσματος για να αφαιρέσετε το μαξιλάρι του καθίσματος. <sup>30</sup>

## Αξεσουαρ

Τα αξεσουάρ ενδεχομένως να πωλούνται χωριστά ή να μην συμπεριλαμβάνονται στην συσκευασία, ανάλογα την περιοχή.

## Προσαρμογή μειωτήρα

Αν χρειάζεται να τοποθετήσετε τον μειωτήρα, ακολουθήστε τις οδηγίες όπως στην εικ <sup>31</sup>.

## Εισαγωγή δίσκου

Το ένθετο του δίσκου μπορεί να χρησιμοποιηθεί μαζί με το δίσκο. Μπορεί επίσης να παραμείνει συνδεδεμένος όταν αποθηκεύεται ο δίσκος.

Όταν τοποθετείται στο τραπέζι, το ένθετο του δίσκου μπορεί να χρησιμοποιηθεί ως δίσκος σερβιρίσματος.

Για να τοποθετήσετε το ένθετο του δίσκου, τοποθετήστε το επάνω στο δίσκο και στρώστε προς τα κάτω μέχρι να ασφαλίσει στη γλωττίδα. <sup>32</sup>

## ΦΡΟΝΤΙΔΑ ΚΑΙ ΣΥΝΤΗΡΗΣΗ

- ! Το κάλυμμα και το ένθετο του δίσκου είναι πλενόμενα.
- ! Το μαξιλάρι του καθίσματος μπορεί να πλυθεί με σφουγγάρι και ένα ήπιο απορρυπαντικό. Μην χρησιμοποιείτε χλωρίνη.
- ! Στεγνώστε το μαξιλάρι σε σκιερό μέρος. Μην το βάζετε σε στεγνωτήριο, για να μην ξεθωριάσει το χρώμα.
- ! Για να καθαρίσετε το σκελετό σκουπίστε με ένα υγρό πανί και ήπιο απορρυπαντικό, στη συνέχεια σκουπίστε τυχόν ίχνη υγρασίας στο σκελετό με ένα στεγνό πανί.
- ! Μην χρησιμοποιείτε αδιάλυτο ουδέτερο απορρυπαντικό, βενζίνη ή άλλο οργανικό διαλύτη για να πλύνετε το κάθισμα. Μπορεί να προκαλέσει ζημιά στο κάθισμα.
- ! Εν καιρώ παρακαλώ ελεγξτε για τυχόν φθαρμένα εξαρτήματα .Αντικαταστήστε τα εξαρτήματα που χρειάζονται.
- ! Όταν το κάθισμα δεν είναι σε χρήση για πολύ καιρό παρακαλώ αποθηκεύστε το κάπου που δεν έχει πρόσβαση το παιδί σας .

# Σημειώσεις



# KR 는 Joie™ 에 오신 님을 것을 환영합니다

Joie 가족이 되신 것을 환영합니다! 우리는 자녀를 둔 귀하의 생활의 한 부분이 되어 몹시 기쁩니다. 귀하께서 사용하시는 Joie MIMZY™ 고 품질의, 완전히 인증 받은 높은 의자로서, 유럽 안전 표준 EN 14988:2017+A1:2020 의 승인을 받았습니다. 이 의자는 6-36 개월 된 아기에게 알맞습니다. 즐거운 사용과 아기 보호를 위해 이 매뉴얼을 잘 읽고 각 과정을 그대로 따라 하시기 바랍니다.

## 중요! 나중에 쉽게 참조할 수 있도록 설명서를 잘 보관해 두십시오!

매뉴얼을 다운로드 및 더 많은 좋은 Joie 제품을 보시려면 joiebaby.com 을 방문 하십시오. 워런티 관련 사항은 joiebaby.com 에서 확인 바랍니다.

### 목차

수치	1-6
경고	97
유아용 식탁의자 조립	98
프레임 열기	98
시트 조립	98
유아용 식탁의자 운용	98
종아리 보호대 조절	98
발판 조절	98
버클 사용	98
어깨안전벨트높이조절	99
안전벨트길이조절	99
트레이사용	99
트레이커버 사용	100
시트높이조절	100
기울기조절	100
유아용 식탁의자 접기	100
시트 패드 분리	101
관리 및 정비	101

### 비상 시

비상 시 또는 사고 시 아기에게 응급조치를 하고 즉시 치료를 받도록 하는 것이 가장 중요합니다.

### 상품 정보

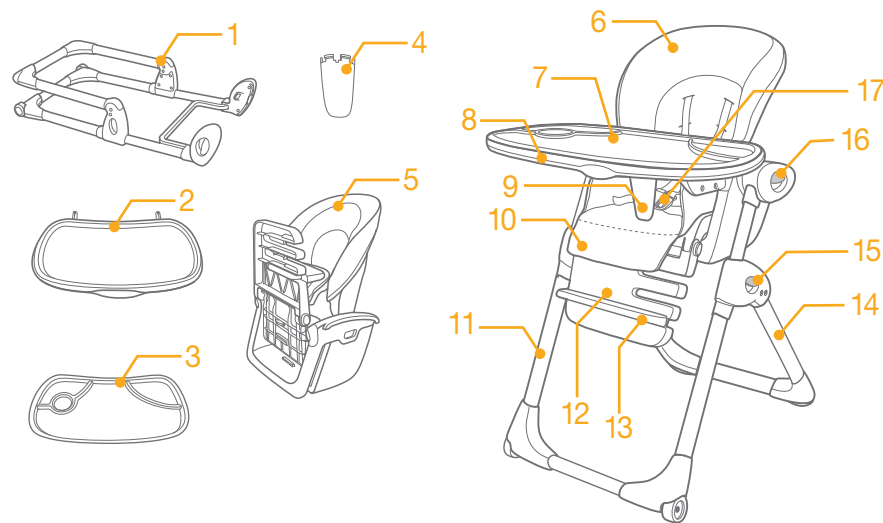
상품 사용 전에 본 매뉴얼의 안내사항을 모두 읽으십시오.의문사항이 있으시면 해당 지역유통업자와 상담하시기 바랍니다.

상품	Mimzy유아용식탁의자, Mimzy 2in1유아용식탁의자
대상	체중 15kg 미만의 유아 (생후6--36개월)
소재	플라스틱, 금속, 직물
특허번호	특허 출원 중
에서 만든	중국
브랜드명	조이(Joie)
홈페이지	www.joiebaby.com
제조업체	Allison GmbH

### 부품 목록

조립 전에 모든 부품이 사용 가능한 상태인지 확인하십시오. 분실된 부품이 있으면 해당 지역 유통업자에게 연락 주시기 바랍니다. 조립에는 도구가 필요하지 않습니다.

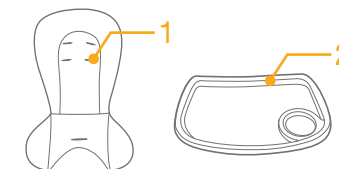
- |         |         |           |           |
|---------|---------|-----------|-----------|
| 1 프레임   | 6 등받이   | 11 앞다리    | 16 높이조절버튼 |
| 2 트레이   | 7 트레이커버 | 12 종아리보호대 | 17 5단계버클  |
| 3 트레이커버 | 8 트레이   | 13 발판     |           |
| 4 트레이흔  | 9 트레이흔  | 14 뒷다리    |           |
| 5 시트    | 10 시트패드 | 15 접기버튼   |           |



### 액세서리

(Mimzy 2 in 1에만 포함됨)

- 1 추가 작은 시트 패드 (일부 품목 해당)
- 2 트레이인서트 (일부 품목 해당)



## 경고

- ! 본 상품을 조립 및 사용하기 전에 본 매뉴얼의 안내사항을 모두 읽으시기 바랍니다.
- ! 성인이 조립해야 합니다.
- ! 나중에 참고할 수 있도록 사용 매뉴얼을 보관해 주십시오.
- ! 본 상품은 생후 6개월에서 36개월까지(체중 15kg 미만)의 유아에게 맞는 제품입니다.
- ! 본 경고 및 조립 안내를 따르지 않으면 심각한 부상 또는 사망을 초래할 수 있습니다.
- ! 본 유아용 식탁의자에 변경을 가하거나 다른 제조업체의 부품을 사용하지 마십시오.
- ! 부품이 하나라도 고장, 손상 또는 분실 시에는 본 유아용 식탁의자를 사용하지 마십시오.
- ! 모든 구성요소가 정확히 들어맞고 조절되어 있지 않다면, 사용하지 마십시오.
- ! 유아를 혼자 두지 마십시오. 언제나 유아를 눈에 보이는 곳에 두십시오.
- ! 떨어지거나 미끄러져서 심각한 부상 또는 사망에 이르는 일을 막기 위해, 언제나 안전장치에 고정시키십시오.
- ! 안전벨트가 정확히 맞는지 확인하기 위해 본 안내사항을 주의 깊게 따르십시오.
- ! 의자를 뒤로 넘겼을 때와 똑바로 세웠을 때에 모두 언제나 안전벨트를 사용하여 유아를 고정시키십시오. 트레이는 유아를 고정시키는 용도로 설계된 것이 아닙니다.
- ! 유아가 혼자 힘으로 앉을 수 있을 때 본 유아용 식탁의자를 사용하십시오.
- ! 혼자 힘으로 똑바로 앉을 수 있는 유아의 경우에만 본 상품을 똑바른 자세로 사용하는 것이 권장됩니다.
- ! 본 유아용 식탁의자 위에 유아가 서 있지 못하게 하십시오.
- ! 유아가 앉아 있는 채로 본 유아용 식탁의자를 들어올리거나 운반하지 마십시오.
- ! 본 유아용 식탁의자에 유아가 앉아있을 때 다른 아이들이 주변에서 놀지 못하게 하십시오.
- ! 아이들이 본 의자의 옆에 기대지 못하게 하십시오. 의자가 균형을 잃고 넘어질 수 있습니다.
- ! 본 유아용 식탁의자 트레이에 무거운 가방, 짐 또는 다른 물건을 올려놓지 마십시오. 의자가 넘어질 수 있습니다.
- ! 언제나 평평하고 평탄한 바닥에서 사용하십시오.
- ! 본 유아용 식탁의자 주변에서는 덮개가 없는 난로 불과 전극불, 가스 불과 같은 강한 열원은 위험하니 주의하십시오.
- ! 질식의 위험을 피하기 위해, 본 상품을 창문 블라인드 줄, 커튼, 전화선 등과 같이 줄이 있는 곳에 두지 마십시오.
- ! 상품 사용 전에 모든 조립 부품을 완전히 펼치고 적절히 조이고 잠가야 합니다.
- ! 안전을 위해 정기적으로 잠금 장치와 부속품을 점검하십시오.
- ! 하드웨어 손상, 느슨한 조인트, 부품 분실 또는 날카로운 모서리가 없는지 정기적으로 상품을 검사하십시오.
- ! 본 유아용 식탁의자를 접거나 조절하기 전에 유아를 의자에서 내려두십시오.
- ! 유아가 접근하기 전에 본 상품이 완전히 접혀 있거나 펼쳐져 있는지 확인하십시오.
- ! 정비, 수리 및 부품 교체는 해당 지역 유통업자와 상담하십시오.
- ! 화상을 예방하기 위해 뜨거운 음식을 트레이에 두지 마십시오.
- ! 경고: 안전 벨트가 제대로 고정됐는지 확인하십시오.
- ! 경고! 결코 아이를 보호자 없이 혼자 두지 마십시오.
- ! 심각한 부상이나 사망에 이르는 것을 피하기 위해서는 항상 안전벨트를 알맞게 조절하여 사용하십시오.
- ! 낙하 위험: 의자에 기어올라가는 것을 금합니다.
- ! 강한 열원(전기나 가스 히터/불...)이나 난로가 있는 곳에서의 의자 사용을 삼가해 주십시오!
- ! 제품을 접거나 펼 때 아이가 다치지 않도록 멀리 떨어져 있도록 하십시오.
- ! 아이가 테이블, 또는 테이블의 지지 구조물을 발로 밀게 되면 넘어질 수 있으니 주의하여 주십시오.

## 유아용 식탁의자 조립

본 상품을 조립 및 사용하기 전에 본 매뉴얼의 안내사항을 모두 읽으시기 바랍니다.

### 프레임 열기

1. "딸깍"하는소리가날때까지뒷다리를뒤로회전시키십시오. ❶

### 시트 조립

1. 시트를 여십시오. ❷
2. 시트를 프레임에 맞추십시오 ❸. "딸깍"하는소리가나면시트가프레임에고정된것입니다. ❹  
! 시트가 자리에 고정되었는지 확인하려면 시트를 들어올려 보십시오.

### 시트 쿠션 조립

시트 쿠션을 아래의 순서대로 조립하여 주시기 바랍니다:

1. 의자를 열어주십시오.
2. 의자 등판 부분의 구멍으로 두 끈을 통과시켜 주십시오. ❺  
! 끈이 의자 등판 부분에서 빠져 나가지 않도록 잘 고정되었는지 확인하여 주시기 바랍니다.
3. 시트 쿠션의 구멍으로 끈을 통과시켜 당겨주십시오. ❻
4. 시트 쿠션으로 의자 등판 위 부분을 잘 감싸 주십시오.

## 유아용 식탁의자 운용

### 종아리 보호대 조절

1. 종아리 보호대는 2단계 조절이 가능합니다.
2. 시트 양쪽의 조절 버튼을 누르고 ❶ - 1 종아리 보호대를 아래로 또는 위로 회전시키십시오. ❶ - 2

### 발판 조절

1. 발판은 3단계 조절이 가능합니다.
2. 발판을 조절하려면 ❷, 먼저 종아리 보호대에서 발판을 분리하고 원하는 위치를 선택 후 종아리 보호대에 발판을 다시 넣으십시오. ❸

### 버클 사용

#### 주의

1. 떨어지거나 미끄러져서 심각한 부상 또는 사망에 이르는 일을 막기 위해, 언제나 안전장치에 유아를고정시키십시오.
2. 안전벨트가 정확히 맞고 안전벨트와 유아 사이의 공간이성인 손 두께를 넘지 않도록 하십시오.
3. 어깨 벨트를 교차시키지 마십시오. 유아의 목에 압박을 가할 수 있습니다.

#### 버클 잠그기

허리 벨트 버클을 어깨 버클과 맞추어서 ❹ - 1. 함께 중앙 버클에 넣으십시오 ❹ - 2. "딸깍"하는 소리가 나면 버클이 완전히 잠긴 것입니다 ❹ - 3. 다른 쪽도 똑같이 반복하십시오.


#### 버클 풀기

중앙 버튼을 눌러서 버클을 푸십시오. ❺

## 어깨 안전벨트 높이 조절




### 주의

- 어깨 안전벨트는 어깨높이와 같거나 약간 더 높은 구멍에 들어가야 합니다.
- 유아가 시트에 앉은 후 떨어지는 것을 막기 위해서 어깨 안전벨트 높이가 적절한지 확인하십시오.
- 몸이 큰 유아의 경우, 위쪽 어깨 구멍을 사용하십시오. 몸이 작은 유아의 경우는, 아래쪽 어깨 구멍을 사용하십시오.

- 적절한 어깨 구멍 한 쌍을 선택하십시오. 어깨 안전벨트를 시트 패드와 시트 등받이의 구멍에 넣으십시오. 





! 어깨 안전벨트 구멍을 바꿀 시, 어깨 안전벨트가 시트 패드와 시트 등받이의 같은 구멍을 통과하는지 확인하십시오.

## 안전벨트 길이 조절


- 안전벨트 길이를 조절하려면 슬라이드 조절기를 사용하십시오.  - 1
- 허리 안전벨트를 당겨서 적절한 길이로 조이십시오  - 2. 허리 안전벨트를 느슨하게 하려면 버튼을 누르십시오.  - 3

## 트레이 사용



### 트레이 조립

- 트레이 혼의 침쇠 줄을 트레이 바닥의 구멍과 맞추어 정렬하십시오 . "딸깍"하는 소리가 날 때까지 꼭 누르면 트레이 혼이 트레이에 안전하게 고정됩니다. 
  - 트레이 가이드를 시트의 구멍으로 넣고, "딸깍"하는 소리가 날 때까지 앞으로 미십시오.  트레이를 분리하려면, 트레이 아래 버튼을 비틀고 밀어서 떼어내십시오. 
- ! 트레이 혼은 사용 전에 트레이에 놓아야 합니다. 트레이 혼을 일단 넣으면, 분리하려고 하지 마십시오.
- ! 트레이 조절 시 트레이가 시트에서 완전히 분리될 수 있으니 주의하십시오.

### 트레이 조절

- 트레이는 3단계 위치가 있습니다. 유아와 트레이 간 거리는 필요 시 조절할 수 있습니다.
  - 트레이 아래 버튼을 비틀고 트레이가 원하는 위치에 올 때까지 움직인 다음 버튼을 놓으십시오. 만약 트레이가 구멍에 자동으로 잠기지 않으면, "딸깍"하는 소리가 날 때까지 트레이를 움직이십시오. 
- ! 트레이 양쪽 측면이 모두 맞는 위치에 가게 하십시오.
- ! 양 가이드가 확실히 고정되게 하려면 트레이를 몸 쪽으로 당기십시오.



### 트레이 보관

- 트레이를 사용하지 않을 시, 뒷다리에 보관할 수 있습니다.
- 트레이를 뒷다리 위에 놓고 트레이 가이드를 제자리에 맞추십시오. 
- 트레이가 보관된 모습은 이렇습니다 .



## 트레이 덮개 사용

### 주의

- 트레이 덮개를 트레이와 함께 사용할 수 있습니다. 트레이 보관 시 부착한 상태로 둘 수 있습니다.
- 저녁 식탁에 둘 때 트레이 덮개를 서빙 트레이로 사용할 수 있습니다.

- 트레이 덮개를 부착하려면 트레이 위에 두고 탭이 제자리에 들어갈 때까지 아래로 누릅니다. 
- 트레이 덮개를 분리하려면 앉는 부위 근처의 탭을 잡고 위로 당긴 후 트레이 덮개를 위로 들어올립니다. 

## 시트 높이 조절

- 7단계 높이 위치가 있습니다. 시트는 식탁 높이에 따라 적절히 높이 조절이 가능하며 유아와 가족의 식사를 편하게 해 줍니다.
- ! 유아가 앉은 채로 높이 조절을 하지 마십시오.
- 높이를 조절하려면 의자 양쪽 측면의 높이 조절 버튼을 비틀고  - 1, 원하는 위치까지 시트를 낮추거나 높이십시오.  - 2

## 기울기 조절





! 유아가 앉은 채로 시트 기울기를 조절하지 마십시오.

- 3단계 기울기 위치가 있습니다.
- 시트 등받이를 원하는 기울기로 조절하려면,  - 1 시트 등받이 버튼을 비틀고  - 2 누르거나 위로 당기십시오.

## 유아용 식탁의자 접기

! 유아를 앉힌 채로 유아용 식탁의자를 접지 마십시오.

다음 단계를 밟아 접으십시오:

- 유아용 식탁의자를 접기 전에 트레이를 치우십시오.
- 가장 간단하게 보관하려면, 시트를 가장 낮은 위치로 낮추고 종아리 보호대를 수평 위치로 조절하십시오. 
- 시트를 접으십시오. 
- 프레임을 접으십시오. 
- 트레이를 뒷다리에 보관하십시오. 

## 시트 패드 분리

1. 5단계버클을푸십시오.
2. 안전벨트를 시트 패드 뒤로 당기십시오. 29
3. 시트 패드를 분리하려면 시트 등받이 줄 두 개를 분리하십시오. 30

## 액세서리

액세서리는 별도로 판매되거나 지역에 따라 제공되지 않을 수 있습니다.

## 소형 인서트 조립

소형 인서트를 사용해야 할 경우 31에서처럼 조립하십시오. 31

## 트레이 인서트

트레이 인서트를 트레이와 함께 사용할 수 있습니다. 트레이 보관 시 부착한 상태로 둘 수 있습니다.

저녁 식탁에 둘 때 트레이 인서트를 서빙 트레이로 사용할 수 있습니다.

트레이 인서트를 부착하려면 트레이 위에 두고 탭이 제자리에 들어갈 때까지 아래로 누릅니다. 32

## 관리 및 정비

- ! 트레이 커버와 트레이 인서트는 식기 세척기에 넣을 수 있습니다.
- ! 좌석패드의 오염물질은 비눗물로 적신 스폰지로 닦을 수 있습니다. 표백제를 사용하지 마십시오.
- ! 세탁한 시트패드를 짜지 말고 그늘에서 말리십시오. 건조기에 넣지마십시오.
- ! 프레임 세척하려면, 젖은 천과 순한 세제로 닦고 마른 천으로 남아있는 물기를 닦아내십시오.
- ! 본 유아용 식탁의자 세척 시 중성세제 원액, 가솔린 또는 기타 유기용제를 사용하지 마십시오.본유아용 식탁의자에 손상을 줄 수 있습니다.
- ! 가끔씩 낡은 부품이나 망가진 소재 또는 바느질이 없는지 확인하십시오.필요 시 부품을교체하십시오.
- ! 장기간 본 유아용 식탁의자를 사용하지 않을 시, 유아가손 닿지 않는 곳에 두시기 바랍니다.

Gratulujeme, právě jste se stali součástí rodiny Joie! Jsme nadšeni, že jsme se stali částí vašeho života. Při používání produktu Joie Mimzy si vaše dítě užívá vysoce kvalitní, plně certifikované židličky, schválené dle standardů ČSN EN 14988:2017+A1:2020. Tento produkt je vhodný pro děti od 6-36 měsíců. Přečtěte si pečlivě tento manuál a postupujte přesně dle zde uvedených kroků, pro zajištění komfortu a perfektního bezpečí pro vaše dítě.

# DŮLEŽITÉ! UCHOVEJTE PRO BUDOUCÍ POUŽITÍ!

Pro informace o záruce navštivte naše internetové stránky na [www.joiebaby.com](http://www.joiebaby.com)

## OBSAH

Obrázky VAROVÁNÍ	1-6 105
<b>Sestavení židličky</b>	<b>106</b>
Rozložení konstrukce	106
Montáž sezení	106
Montáž polstrovaní	106
<b>Obsluha židličky</b>	<b>106</b>
Nastavení opěrky nohou	106
Nastavení opěrky chodidel	106
Použití spony	106
Nastavení výšky ramenních pásů	107
Nastavení délky ramenních pásů	107
Použití pultíku	107
Použití vrchního pultíku	108
Nastavení výšky sezení	108
Nastavení sklonu	108
<b>Skládání židličky</b>	<b>108</b>
<b>Sejmutí potahu židličky</b>	<b>109</b>
Doplňky	109
Péče a údržba	109

## Stav nouze

V případě ohrožení, nebo úrazu, je nejdůležitější poskytnout vašemu dítěti okamžitě ošetření a následnou lékařskou pomoc.

## Informace o produktu

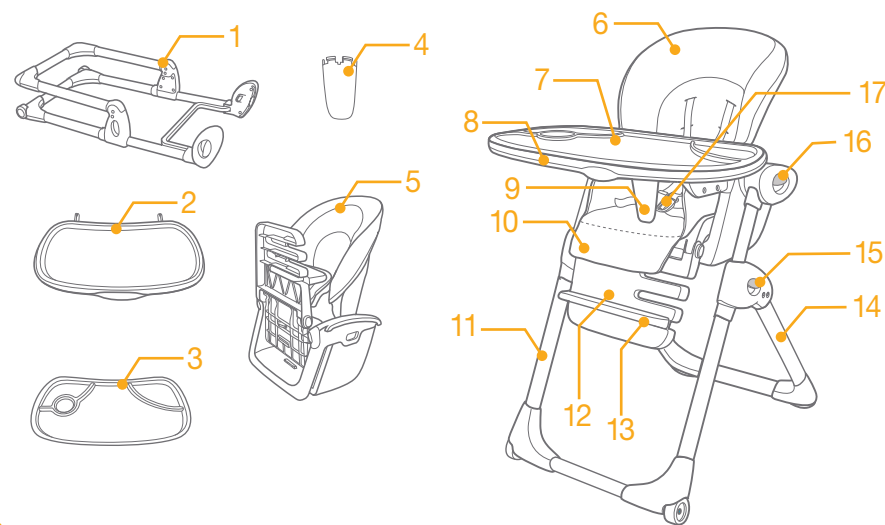
Před zahájením používání tohoto produktu si prosím nejprve pečlivě prostudujte tento manuál. Máte-li nějaké doplňující dotazy, konzultujte je s prodejcem.

<b>Výrobek:</b>	<b>Jídelní židlička Mimzy, Jídelní židlička Mimzy 2in1</b>
<b>Vhodná pro:</b>	<b>Výrobek používejte pouze pro děti do hmotnosti 15kg (6-36měsíců)</b>
<b>Materiály:</b>	<b>kov, plasty, látky</b>
<b>Patent number:</b>	<b>Patentováno</b>
<b>Vyrobeno:</b>	<b>v Číně</b>
<b>Značka:</b>	<b>Joie</b>
<b>Stránky:</b>	<b><a href="http://www.joiebaby.com">www.joiebaby.com</a></b>
<b>Výrobce:</b>	<b>Allison GmbH</b>

## Seznam dílů

Před zahájením používání tohoto produktu si prosím nejprve pečlivě prostudujte tento manuál a ujistěte se, že všechny součásti výrobku jsou dostupné. Máte-li nějaké doplňující dotazy, konzultujte je s prodejcem. Pro montáž není požadované žádné nářadí.

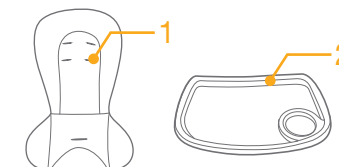
1 Konstrukce	6 Zádová opěrka	11 Přední noha	16 Tlačítko výškového nastavení
2 Pultík	7 Vrchní pultík	12 Opěrka nohou	17 Přezka pětibodového pásu
3 Vrchní pultík	8 Pultík	13 Opěrka chodidel	
4 Mezinožní zábrana	9 Mezinožní zábrana	14 Zadní noha	
5 Sezení	10 Polstrovaní sezení	15 Skládací tlačítko	



## Doplňky

(Součástí pouze u Mimzy 2 in 1)

- 1 Vložka (u některých modelů)
- 2 Malý pultík (u některých modelů)



## VAROVÁNÍ

- ! Odstraňte plastový obal, v němž byla židlička zabalena, z dosahu dětí, hrozí nebezpečí udušení.
- ! Jídelní židli je možno používat pouze v interiérovém prostředí při běžné pokojové teplotě.
- ! Dítě vždy musí být řádně zajištěno v bezpečnostních popruzích. Pultík není navržen tak, aby držel vaše dítě v židliče.
- ! Vždy se před použitím přesvědčte, zda je postroj správně připevněný a že jsou všechna zajišťovací zařízení funkční.
- ! Nepoužívejte židli, dokud nejsou všechny součásti správně připevněné a seřizené.
- ! Pamatujte, že dítě v židli má mít vždy zapnuté a správně nastavené bezpečnostní pásy.
- ! Jídelní židle není hračka pro vaše dítě, a proto nenechávejte dítě samostatně vylézat ze židle.
- ! Následné převrácení židle by mohlo způsobit dítěti úraz.
- ! Jídelní židli může skládat a rozkládat pouze dospělá osoba.
- ! Židle je určena dětem od 6 měsíců do 3 let /maximálně 15 kg/, které se již umí samostatně posadit.
- ! Nikdy nepoužívejte židli v blízkosti otevřeného ohně a dalších tepelných zdrojů (elektrických topných těles, plynového topení), schodů, bazénu.
- ! Židli používejte pouze shodně s návodem k obsluze.
- ! V případě jakéhokoliv poškození židle kontaktujte prodejce.
- ! Židlička splňuje normu EN 14988:2017+A1:2020.
- ! Pokud nebudete postupovat dle návodu může dojít k poranění dítěte.
- ! Používejte pouze originální příslušenství schválené výrobcem.
- ! Přestaňte používat židličku, pokud je některá z jejích částí poškozená, nebo chybí.
- ! Nenechte dítě stát v židliče.
- ! Nezvedejte židličku, pokud je v ní dítě.
- ! Židlička není hračka pro Vaše dítě, a proto ho nenechte s židličkou hrát.
- ! Nenechte dítě opírat se o strany židličky, může dojít k překlopení!
- ! Neumisťujte žádné těžké předměty na pultík židličky, může dojít k překlopení!
- ! Vždy používejte židličku na rovné (vodorovné) ploše.
- ! Abyste zabránili uškrcení, nepoužívejte židličku v blízkosti předmětů, které mají šňůrky, jako například závěsy, žaluzie apod.
- ! Pravidelně kontrolujte židličku.
- ! Před skládáním židličky, nebo jejím nastavováním z ní vyndejte dítě.
- ! Abyste se vyhnuli popáleninám, nedávejte na pultík horké jídlo.
- ! VAROVÁNÍ Zkontrolujte, zda jsou bezpečnostní popruhy správně nasazeny.
- ! VAROVÁNÍ Nikdy nenechávejte dítě bez dozoru
- ! Pro zabránění rizika zranění, nebo úmrtí dítěte v důsledku pádu, nebo vyklouznutí z židličky, vždy používejte správně nastavený postroj.
- ! Nebezpečí pádu: Zabraňte dítěti v houpání se v jídelní židliče.
- ! Nikdy nevystavujte jídelní židličku působení otevřeného ohně, nebo jiných zdrojů tepla.
- ! Ujistěte se, že při skládání a rozkládání židličky není dítě v dosahu.
- ! Zabraňte dítěti v židliče v pokusu o odrážení nohama od stolu, nebo jiné pevné konstrukce (nábytku), hrozí riziko překlopení židličky.

## Sestavení židličky

Před sestavením a zahájením používání tohoto produktu si prosím nejprve pečlivě prostudujte tento manuál.

### Rozložení konstrukce

1. Otočte zadní nohu směrem dozadu, dokud neuslyšíte charakteristické kliknutí **1**

### Montáž sezení

1. Otevřete sezení. **2**
2. Nasadte sezení na konstrukci **3**. Jakmile je sezení správně nasazeno, ozve se charakteristické kliknutí. **4**

! Zdvihněte sezení vzhůru, abyste se přesvědčili, že správně drží na konstrukci.

### Montáž polstrování sezení

Namontujte polstrování dle následujících kroků.

1. Otevřete sezení.
2. Vsuňte 2 popruhy skrz otvory na zadní straně sedáku. **5**  
! Ujistěte se, že jsou popruhy bezpečně nasazeny, abyste zabránili vypadnutí polstrování ze sedáku.
3. Protáhněte zbytek postroje skrz příslušné otvory. **6**
4. Přetáhněte polstrovaný potah přes sezení.

## Obsluha židličky

### Nastavení opěrky nohou

1. Opěrka nohou má 2 pozice.
2. Stiskněte tlačítka sklonu na obou stranách sedáku **7 - 1**, a otočte opěrku nohou nahoru, nebo dolů. **7 - 2**

### Nastavení opěrky chodidel

1. Opěrka chodidel může být nastavena ve třech pozicích.
2. Pro nastavení výšky opěrky odejměte opěrku chodidel z opěrky nohou **8**, zvolte vhodnou pozici a znovu nasadte opěrku chodidel do opěrky nohou. **9**

### Použití spony

#### UPOZORNĚNÍ

1. K zabránění vážného zranění nebo smrti po pádu nebo vyklouznutí, vždy zajistěte své dítě pomocí postroje.
2. Ujistěte se, že postroj je správně nastaven a že prostor mezi dítětem a postrojem není větší než šířka ruky dospělého člověka.
3. Nepřekrucujte pásy, může to způsobit tlak na krk dítěte!

### Zapnutí spony

Spojte sponu ramenního pásu se sponou bočního pásu **10 - 1**. a zacvakněte je do centrální spony **10 - 2**. Pokud je spona správně zapnuta, uslyšíte charakteristické kliknutí. **10 - 3**

### Odepnutí spony

Stiskněte centrální tlačítko pro odepnutí spony. **11**

## Nastavení výšky ramenních pásů

### UPOZORNĚNÍ

1. Ramenní pásy musí jít skrz otvor, který je na úrovni ramen, nebo mírně nad rameny.
2. Abyste ochránili své dítě před vypadnutím, zkontrolujte po usazení dítěte do židličky bezpečnostní pásy, zda jsou ve správné výšce.
3. Pro větší děti použijte horní otvory na pásy, pro menší děti použijte dolní otvory na pásy.

1. Zvolte dvojici vhodných ramenních otvorů, vsuňte ramenní pásy do otvorů do polstrování i sezení. **12 - 13**

! Při změně výšky otvorů se ujistěte, že jste protáhli pásy stejnými otvory v polstrování i sezení a ve stejné výšce.

## Nastavení výšky ramenních pásů

1. Použijte posuvné nastavení pro zajištění správné délky pásů. **14 - 1**
2. Zatáhněte za boční pás pro utažení na správnou délku **14 - 2**. Stiskněte tlačítko pro povolení pásů. **14 - 3**

## Použití pultíku

### Montáž pultíku

1. Nasadte úchyty pultíku a mezinožní opěru pultíku do příslušných otvorů v pultíku na jeho dolní straně, správné zajištění vám potvrdí charakteristické kliknutí **15**.  
Mezinožní ochrana pultíku i úchyty lze nasadit pouze v jednom směru. Nasadte je tak, aby odpovídali otvorům, do kterých je budete uchycovat. **16**
2. Nasadte úchyty pultíku do sezení, posouvejte je, dokud neuslyšíte kliknutí. **17** Pro odejmutí pultíku stlačte tlačítko pod pultíkem a vytáhněte jej. **18**  
! Mezinožní ochrana musí být před používáním nasazena. Jakmile ji jednou nasadíte, už se ji nepokoušejte sundat.  
! Při nastavování pultíku dbejte nejvyšší opatrnosti, neboť pultík může být zcela vyjmut.

### Nastavení pultíku

1. Pultík lze nastavit do 3 pozic. Díky tomu snadno nastavíte vzdálenost mezi pultíkem a vaším dítětem.
2. Stiskněte tlačítko pod pultíkem a posuňte jej na požadovanou pozici a tlačítko pusťte. Pokud se pultík automaticky nezajistil, posuňte ho dokud neuslyšíte charakterické kliknutí. **19**  
! Ujistěte se, že obě strany pultíku jsou na správných pozicích.  
! Posuňte pultík směrem k sobě, abyste se ujistili, že oba úchyty jsou zajištěny.

### Uskladnění pultíku

1. Nepoužíváte-li pultík, můžete jej uskladnit na zadních nohách židličky.
2. Umístěte úchyty pultíku nad nohy židličky a nacvakněte pultík na místo. **20**
3. Uskladněný pultík je vidět na obrázku **20**

## Použití vrchního pultíku

### UPOZORNĚNÍ

1. Vrchní pultík může být používán zároveň s pultíkem. Může také zůstat uchycený na pultíku při jeho uskladnění.
2. Při umístění na jídelní stůl lze vrchní pultík používat také jako servírovací ták.

1. Pro upevnění vrchního pultíku jej umístěte přes pultík dokud se nezajistí na správném místě **21**.
2. Pro odejmutí vrchního pultíku jej uchopte v místě blíže sezení a vytáhněte jej směrem nahoru. **22**

## Nastavení výšky sezení

1. Výšku sezení lze nastavit do 7 pozic. Sezení může být nastaveno do výšky odpovídající výšce vašeho jídelního stolu, což je vhodné pro dítě, které tak může jíst společně s rodinou.

! **Nenastavujte výšku židličky, pokud v ní sedí dítě.**

2. Pro nastavení výšky stiskněte tlačítka na obou stranách židličky **23 - 1**, a vysuňte ji směrem nahoru, nebo dolů, dle potřeby. **23 - 2**

## Nastavení Sklonu

! **Nenastavujte sklon, pokud je dítě v židličce.**

1. Židlička má 3 pozice nastavení sklonu.
2. Stiskněte tlačítko na zadní straně sezení **24 - 1**, a zatlačte jej dolů, nebo nahoru **24 - 2** pro nastavení sedátka do požadované polohy.



## Skládání židličky

! **Nikdy neskládejte židličku, pokud v ní sedí dítě.**

Židličku složte dle následujícího postupu.

1. Před skládáním nejprve odejměte pultík z židličky.
2. Pro co nejkompaktnější rozměry po složení, nastavte židličku do nejnižší pozice a nastavte opěrku nožiček do horizontální, nebo ploché pozice. **25**
3. Složte sezení. **26**
4. Složte konstrukci. **27**
5. Uskladněte pultík na zadních nohách židličky. **28**

## Sejmutí potahu

1. Rozepněte přezku.
2. Vyvlékněte postroj z polstrování. 
3. Odejměte 2 popruhy ze zadní strany sezení pro odejmutí potahu. 

## Doplňky

Doplňky mohou být prodávány zvlášť, nebo nemusí být vůbec ve vašem regionu dostupné.


### Nasazení vnitřní vložky

Pro nasazení vnitřní vložky se řiďte obrázkem .

### Malý pultík

Malý pultík může být používán zároveň s pultíkem. Může také zůstat uchycený na pultíku při jeho uskladnění.

Při umístění na jídelní stůl lze malý pultík používat také jako servírovací táč.

Pro upevnění malého pultíku jej umístěte přes pultík dokud se nezajistí na správném místě .

## Péče a Údržba

- ! Horní pultík a malý pultík lze umývat v myčce.
- ! Polstrování sezení lze čistit pomocí houbičky a mýdlové vody. Nepoužívejte bělidlo.
- ! Konstrukci čistěte tak, že ji otřete vlhkým hadříkem a jemným čistícím prostředkem a poté odstraňte jakékoliv stopy vlhkosti pomocí suchého hadříku.
- ! Nepoužívejte neředěný neutrální čistící prostředek, benzín nebo jiné organické rozpouštědlo k očištění židličky. Mohli byste jí poškodit.
- ! Pravidelně kontrolujte, zda některé šrouby nejsou povoleny, některé díly opotřebený, nebo zda materiál nebo šití není roztrženo. Vyměňte nebo opravte poškozené díly dle potřeby.
- ! Pokud židličku delší dobu nepoužíváte, uskladněte ji na místě, kam vaše dítě nemá přístup.

# Poznámky



Gratulujeme vám, práve ste sa stali súčasťou rodiny JOIE! Sme nadšení z toho, že sa stávame súčasťou vášho života. Pri používaní Mimzy si vaše dieťa užíva vysoko kvalitného, plno certifikovaného produktu, schváleného podľa štandardov EN 14988:2017+A1:2020. Tento produkt je vhodný pre dieťa od 6 do 36 mesiacov. Prečítajte si starostlivo manuál na použitie a postupujte presne podľa uvedených krokov, pre zaistenie perfektného bezpečia pre vaše dieťa.

## DÔLEŽITÉ! UCHOVAJTE TENTO NÁVOD PRE BUDÚCE POUŽITIE!

Pre informácie o záruke navštívte naše internetové stránky na [www.joiebaby.com](http://www.joiebaby.com)

### OBSAH

Obrázky	1-6
VAROVANE	113
<b>Zostavenie stoličky</b>	<b>114</b>
Rozloženie konštrukcie	114
Montáž sedenia	114
Montáž polstrovanie	114
<b>Obsluha stoličky</b>	<b>114</b>
Nastavenie opierky nôh	114
Nastavenie opierky chodidiel	114
Použitie spony	114
Nastavenie výšky ramenných pásov	115
Nastavenie dĺžky ramenných pásov	115
Použitie pultu	115
Použitie vrchného pultu	116
Nastavenie výšky sedenia	116
Nastavenie sklonu	116
<b>Skladanie stoličky</b>	<b>116</b>
<b>Vybratí pot'ahu stoličky</b>	<b>117</b>
Doplňky	117
Starostlivosť a údržba	117

### Stav núdze

V prípade ohrozenia alebo úrazu je najdôležitejšie poskytnúť vášmu dieťaťu okamžité ošetrovanie a následnú lekársku pomoc.

### Informácie o výrobku

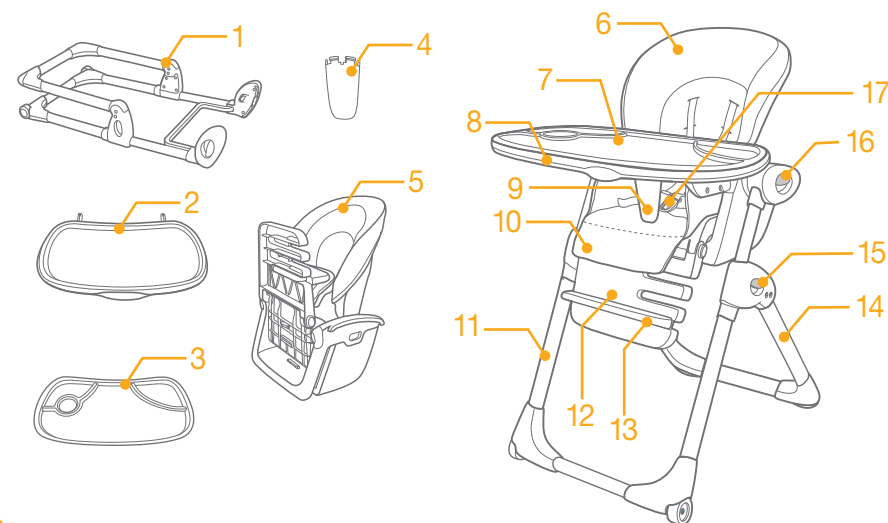
Pred zahájením používania tohto produktu si prosím najprv starostlivo prečítajte návod na použitie. Ak máte nejaké doplňujúce dotazy, konzultujte je s predajcom.

<b>Výrobok</b>	jedálenská stolička Mimzy, jedálenská stolička Mimzy 2in1
<b>Vhodné pre</b>	výrobok používajte iba pre deti do hmotnosti 15kg (36 mesiacov)
<b>Materiály</b>	plast, kov, látky
<b>Vyrobené v</b>	Číne
<b>Značka</b>	Joie
<b>Stránky</b>	<a href="http://www.joiebaby.com">www.joiebaby.com</a>
<b>Výrobca</b>	Allison GmbH
<b>Distribútor</b>	Babypoint s.r.o. , Konětopy 62, 262 31 Milín

### Zoznam častí

Pred zahájením používania tohto produktu si prosím najprv starostlivo prečítajte návod na použitie. Ak máte nejaké doplňujúce dotazy, konzultujte je s predajcom. Pre montáž nie je potrebné náradie.

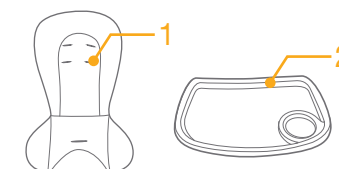
1 Konštrukcia	6 Chrbtová opierka sedenia	16 Tlačidlo výškového nastavenia
2 Pult	7 Vrchný pult	17 Pracka päťbodového pásu
3 Vrchný pult	8 Pult	
4 Medzi nožná zábrana	9 Medzi nožná zábrana	
5 Sedenie	10 Poštrovanie	
	11 Predná noha	
	12 Opierka nôh	
	13 Opierka chodidiel	
	14 Zadná noha	
	15 Skladacie tlačidlo	



### Doplňky

(Súčasťou iba u modelu Mimzy 2 in 1)

- 1 Vložka (u niektorých modelov)
- 2 Malý pult (u niektorých modelov)



## VAROVANIE

- ! Odstráňte všetky plastové obaly, v ktorých bola stolička zabalená z dosahu detí, hrozí nebezpečenstvo udusenía.
- ! Jedálenskú stoličku môžete používať iba v interiérovom prostredí pri bežnej pokojovej teplote.
- ! Dieťa musí byť vždy v stoličke zaistené bezpečnostným popruhom. Pult nie je navrhnutý tak, aby držal vaše dieťa v stoličke.
- ! Pred použitím sa presvedčte, že či je postroj správne pripevnený a že sú všetky zaist'ovacia zariadenia funkčná.
- ! Nepoužívajte stoličku, kým nie sú všetky súčasti správne pripevnené a nastavené.
- ! Pamätajte, že dieťa v stoličke musí mať vždy zapnuté a správne nastavené bezpečnostné pásy.
- ! Jedálenská stolička nie je hračka pre vaše dieťa, nikdy nenechávajte dieťa samostatne vyliezať zo stoličky.
- ! Následné prevrátenie stoličky by mohlo spôsobiť dieťaťu úraz.
- ! Jedálenskú stoličku môže skladať a rozkladať iba dospelá osoba.
- ! Stolička je určená pre jedno dieťa od 6 mesiacov do 3 rokov /maximálna hmotnosť 15kg/, ktoré sa vie samostatne posadiť.
- ! Nikdy nestavte stoličku do blízkosti otvoreného ohňa a ďalších tepelných zdrojov (elektrických tepelných telies, plynového topenia, schodov, bazénov).
- ! Stoličku používajte iba v zhode s návodom na použitie.
- ! V prípade akéhokoľvek poškodenia stoličky, kontaktujte predajcu.
- ! Stolička spĺňa normu EN 14988:2017+A1:2020.
- ! Ak nebudete postupovať podľa návodu na použitie, môže dôjsť k poraneniu dieťaťa.
- ! Používajte iba originálne príslušenstvo schválené výrobcom.
- ! Nepoužívajte stoličku, ak sú niektoré časti poškodené alebo chýbajú.
- ! Nenechajte dieťa stáť v stoličke.
- ! Nikdy nedvíhajte stoličku ak je v nej dieťa.
- ! Stolička nie je hračka pre vaše dieťa, a preto ho nenechajte sa s ňou hrať.
- ! Nenechajte dieťa sa opierať o strany stoličky, môže dojsť k preklopeniu.
- ! Vždy používajte stoličku na rovnej (vodorovnej) ploche.
- ! Nepoužívajte stoličku v blízkosti predmetov, ktoré majú šnúrky, ako sú napríklad závesy a žalúzie, môže dôjsť k uškrteniu dieťaťa.
- ! Neumiestňujte žiadne ťažké predmety na pult stoličky, môže dojsť k preklopeniu.
- ! Stoličku pravidelne kontrolujte.
- ! Pred skladaním stoličky alebo jej nastavovaním z nej vyberte dieťa.
- ! Aby ste sa vyhli popáleninám, nedávajte na pult horúce jedlo.
- ! VAROVANIE: Uistite sa, že bezpečnostný pás je správne namontovaný.
- ! VAROVANIE: Nikdy nenechávajte dieťa bez dozoru
- ! Pre zabránenie riziku zranenia, alebo smrti dieťaťa v dôsledku pádu, alebo vykĺznutia zo stoličky, vždy používajte správne nastavený postroj.
- ! Nebezpečenstvo pádu: Zabráňte dieťaťu sa hojdať v jedálenskej stoličke.
- ! Nikdy nevytváajte jedálenskú stoličku pôsobením otvoreného ohňa alebo iných tepelných zdrojov.
- ! Uistite sa, že pri skladaní a rozkladaní stoličky nie je dieťa v dosahu.
- ! Zabráňte dieťaťu v stoličke v pokusu o odrážanie sa nohami od stolu, alebo inej pevnej konštrukcie (nábytku), hrozí preklopenie stoličky.

## Zostavenie stoličky

Pred zostavovaním stoličky si najprv preštudujte tento návod.

### Rozloženie konštrukcie

1. Otočte zadnou nohou smerom dozadu, kým neuslyšíte charakteristické kliknutie ①

### Montáž sedenia

1. Otvorte sedenie ②
2. Nasadte sedenie na konštrukciu ③. Ak je sedenie správne nasadenie, uslyšíte charakteristické kliknutie ④

! Zdvihnite sedenie hore, aby ste sa presvedčili, že správne drží na konštrukcii.

### Montáž polstrovanie na sedenie

Namontujte polstrovanie podľa nasledujúcich krokov:

1. Otvorte sedenie.
2. Vsuňte 2 popruhy cez otvory na zadnej strane sedačky ⑤
  - ! Uistite sa, že sú bezpečnostné popruhy správne zaistené, aby ste zabránili vypadnutie polstrovanie so sedačky.
3. Pretiahnite zvyšok postroja cez príslušné otvory. ⑥
4. Pretiahnite polstrovaný poťah cez sedenie.

## Obsluha stoličky

### Nastavenie opierky nôh

1. Opierka pre nohy má 2 pozície.
2. Stlačte tlačidlá sklonu na oboch stranách sedačky ⑦ - 1, a otočte opierku smerom dole alebo hore. ⑦ - 2

### Nastavenie opierky chodidiel

1. Opierka chodidiel môže byť nastavená do troch pozícií.
2. Pre nastavenie výšky opierky vyberte opierku chodidiel z opierky pre nohy ⑧. Zvoľte vhodnú pozíciu a opäť nasadte opierku chodidiel do opierky pre nohy. ⑨

### Použitie spony

#### UPOZORNENIE

1. K zabráneniu Vážneho zranenia alebo smrti po pádu alebo vykĺznutí, vždy dieťa pripútajte popruhom.
2. Uistite sa, že je postroj správne nastavený a že priestor medzi dieťaťom a postrojom nie je väčší než šírka ruky dospelého človeka.
3. Neprekrúčajte pásy, môže to spôsobiť tlak na krk dieťaťa!

### Zapnutie spony

Spojte sponu ramenného pásu so sponou bočného pásu ⑩ - 1. a zacvaknite je do centrálnej spony ⑩ - 2. Ak je spona správne zapnutá, uslyšíte charakteristické kliknutie. ⑩ - 3

### Odopnutie spony

Stlačte centrálné tlačidlo pre odopnutie spony. ⑪

## Nastavenie výšky ramenných pásov

### UPOZORNENIE

1. Ramenné pásy musí ísť cez otvor, ktorý je na úrovni ramien, alebo mierne nad ramenami.
2. Aby ste chránili svoje dieťa pred vypadnutím, skontrolujte po usadení dieťaťa do stoličky bezpečnostné pásy, či sú v správnej výške.
3. Pre väčšie deti použite horné otvory, pre menšie deti použite dolné otvory na pásy.

1. Zvoľte dvojicu vhodných ramenných otvorov, vsuňte ramenné pásy do otvorov i do poľstrovaní a sedenia. **12 13**
- ! Pri zmene výšky sa uistite, že ste pretiahli pásy cez rovnaké výškové otvory v poľstrovaní i sedeníu.

## Nastavenie výšky ramenných pásov

1. Použite posuvné nastavenie pre zaistenie správnej dĺžky pásov. **14 - 1**
2. Zatiahnite za bočný pás pre utiahnutie na správnu dĺžku **14 - 2**. Stlačte tlačidlo pre povolenie pásov. **14 - 3**

## Použitie pultu

### Montáž pultu

1. Nasadíte úchyty pultu a medzi nožnú opierku pultu do príslušných otvorov v pultu na jeho dolnej strane, správne zaistenie vám potvrdí charakteristické kliknutie **15 16**. Medzi nožnou ochranu pultu i úchyty môžete nasadiť iba v jednom smere. Nasadíte je tak, aby odpovedali otvorom, do ktorých je budete uchycovať.
2. Nasadíte úchyty pultu do sedenia, posúvajte je až do zaistenia (uslyšíte kliknutie) **17**. Pre vybratí pultu stlačte tlačidlo pod pultom a vytiahnite ho. **18**
- ! Medzi nožná ochrana musí byť pred používaním nasadená. Ak ju jednou nasadíte, nepokúšajte sa ju vybrať.
- ! Pri nastavovaní pultu dbajte najvyššej opatrnosti, lebo pult môže byť celý vybratý.

### Nastavenie pultu

1. Pult môžete nastaviť do 3 pozícií. Vďaka tomu ľahko nastavíte vzdialenosť medzi pultom a dieťaťom.
2. Stlačte tlačidlo pod pultom a posuňte ho na požadovanú pozíciu a tlačidlo pustíte. Ak sa pult automaticky nezaistil, posuňte ho kým neuslyšíte charakteristické kliknutie **19**
- ! Uistite sa, že sú obidve strany pultu v správnych pozíciách.
- ! Posuňte pult smerom k sebe, aby ste sa uistili, že sú obidva úchyty správne zaistené.

### Uskladnenie pultu

1. Ak pult nepoužívate, uskladnite ho na zadných nohách stoličky.
2. Umiestite úchyty pultu nad nohy stoličky a zacvaknite pult na miesto **20**
3. Uskladnený pult je na obrázku **20**

## Použitie vrchného pultu

### UPOZORNENIE

1. Vrchný pult môže byť používaný spoločne so spodným pultom. Môže tiež zostať uchytý na pultu pri jeho uskladnení.
2. Pri umiestnení na jedáľenský stôl môžete vrchný pult používať ako servírovací táčču.

1. Pre uchytie horného pultu ho umiestite cez pult až kým sa nezaistí na správnom mieste. **21**
2. Pre vybratie horného pultu ho uchopíte v mieste bližšie ku sedeniu a vytiahnite ho smerom dohora. **22**

## Nastavenie výšky sedenia

1. Výšku sedenia môžete nastaviť do 7 pozícií. Sedenie môže byť nastavené do výšky odpovedajúcej vášho jedáľenského stolu. To je vhodné pre vaše dieťa, ktoré tak môže jesť spoločne s rodinou.
- ! **Nenastavujte výšku stoličky ak je v nej dieťa.**
2. Pre nastavenie výšky stlačte tlačidlo na oboch stranách stoličky **23 - 1**, a vysuňte ju smerom hore alebo dole podľa potreby. **23 - 2**

## Nastavenie sklonu

### ! Nenastavujte sklon, ak je v stoličke dieťa.

1. Stolička má 3 nastavenia sklonu.
2. Stlačte tlačidlo na zadnej strane sedenia **24 - 1**, a zatlačte ho smerom dole, alebo hore **24 - 2** pre nastavenie sedadla do požadovanej pozície.

## Skladanie stoličky

### ! Nikdy neskladajte stoličku, ak je v nej dieťa.

Stoličku zložte podľa nasledujúceho postupu:

1. Pred skladaním najprv vyberte pult zo stoličky.
2. Pre čo najkompaktnejšie rozmery po zložení nastavte stoličku do najnižšie pozície a nastavte opierku pre nohy do horizontálnej alebo plochej pozície **25**
3. Zložte sedenie. **26**
4. Zložte konštrukciu. **27**
5. Uskladnite pult na zadných nohách stoličky. **28**

## Sňatí pot'ahu

1. Rozopnite pracku
2. Vyvlieknite postroj z poľstrovania 🔄
3. Odoberte 2 popruhy zo zadnej strany sedenia pre odňatie pot'ahu. 🔄

## Doplňky

Doplňky môžu byť predávané zvlášť, a lebo nemusí byť vôbec vo vašom regióne dostupné.

### Nasadenie vnútornej vložky

Pre nasadenie vnútornej vložky sa riadte obrázkom 📖.

### Malý pult

Malý pult môže byť používaný zároveň s pult. Môže tiež zostať uchytený na pultu pri jeho uskladnení.

Pri umiestnení na jedáľenský stôl môžete malý pult používať tiež ako servírovací táčnu.

Pre uchytenie malého pultu ho umiestite cez pult až kým sa nezaistí na správnom mieste. 🔄

## Starostlivosť a údržba

- ! Horný pult a malý pult môžete umývať v umývačke riadu.
- ! Poľstrovanie sedenia môžete čistiť mydlovou vodou. Nepoužívajte bielidlo.
- ! Konštrukciu čistite tak, že ju utriete vlhkou handričkou a jemným čistiacim prostriedkom a potom odstráňte akékoľvek stopy vlhkosti pomocou suchej handričky.
- ! Nepoužívajte neriedený neutrálny čistiaci prostriedok, benzín alebo iné organické rozpúšťadla k očisteniu stoličky. Môžete ju tým poškodiť.
- ! Pravidelne kontrolujte, či nie sú niektoré skrutky povolené, či niektoré diely opotrebené, alebo či nie je materiál alebo šitie roztrhnuté. Vymeňte alebo opravte poškodené diely podľa potreby.
- ! Ak stoličku dlhší čas nepoužívate, uskladnite ju na mieste, kam vaše dieťa nemá prístup.

# Poznámky

## HU Üdvözljük a Joie™ termékeit használók között.

Gratulálunk, hogy csatlakozott a Joie családhoz, és nagy örömünkre szolgál, hogy segítséget nyújthatunk gyermeke nevelésében. A Joie MIMZY™ megvásárlásával Ön olyan etetőszéket kapott, amely nemcsak kiváló minőségű, de az EN 14988:2017+A1:2020 számú, európai biztonsági szabvány előírásainak is eleget tesz. A termék 6 és 36 hónap közötti babáknál használható. Kérjük, hogy gondosan olvassa el ezt a használati utasítást, és minden lépést kövessen annak érdekében, hogy a termék nagy öröme szolgáljon, és gyermeke is a lehető legtöbb védelmet kapja.

# ! FONTOS FIGYELMESEN OLVASSA EL, ÉS ŐRIZZE MEG, HOGY KÉSŐBB IS MEGNÉZHESSE

A Joiebaby.com honlapról használati utasításokat tölthet le, és ott még több, izgalmas Joie terméket láthat. A garanciára vonatkozó információkkal kapcsolatban, kérjük, keresse fel a joiebaby.com honlapot.

## Tartalom

Ábrák	1-6
FIGYELMEZTETÉSEK	121
<b>Az etetőszék összeállítása</b>	<b>122</b>
A keret szétnyitása	122
Az ülés párná összeállítása	122
<b>Az etetőszék használata</b>	<b>122</b>
A lábtámasz beállítása	122
A lábtartó beállítása	122
A csat használata	122
A vállöv magasságának beállítása	123
Az övek hosszúságának beállítása	123
A tálca használata	123
A tálca fedelének használata	124
Az ülés magasságának a beállítása	124
A háttámla döntése	124
<b>Az etetőszék összehajtása</b>	<b>124</b>
<b>Az ülés párná levétele</b>	<b>125</b>
Tartozékok	125
Karbantartás	125

## Vészhelyzet

Vészhelyzet vagy baleset esetén alapvetően fontos, hogy a gyermek azonnal elsősegélyben részesüljön, és orvosi kezelést kapjon.

## Információ a termékről

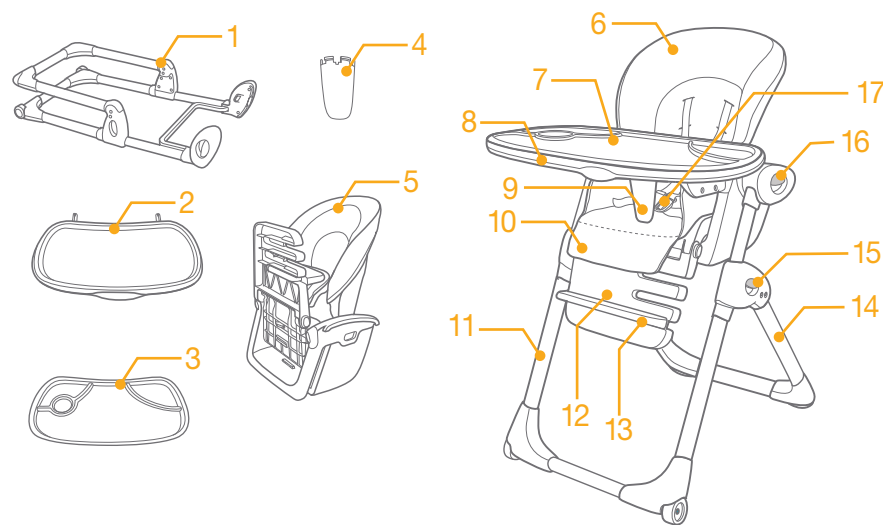
Kérjük, hogy a termék használatba vétele előtt az utasítás minden pontját olvassa el. Ha még azután is van kérdése, forduljon a kereskedőhöz.

<b>Termék</b>	<b>Mimzy etetőszék, Mimzy 2in1 etetőszék</b>
<b>Alkalmas</b>	<b>15 kg-nál kisebb testsúly esetén (6 és 36 hónapos kor között)</b>
<b>Anyagok</b>	<b>műanyag, fém, szövet</b>
<b>A szabadalom száma</b>	<b>még függőben</b>
<b>Készült</b>	<b>Kínában</b>
<b>Márkanév</b>	<b>Joie</b>
<b>Web-oldal</b>	<b>www.joiebaby.com</b>
<b>Gyártó</b>	<b>Allison GmbH.</b>

## Alkatrészlista

Az összeállítás előtt győződjön meg róla, hogy minden alkatrész megvan. Ha bármelyik hiányzik, vegye fel a kapcsolatot a helyi kereskedővel! Az összeállításhoz nincs szükség szerszámokra.

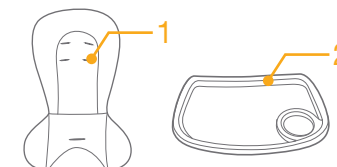
1 Keret	7 Tálcafedő	13 Lábtartó	17 5 pontos csat
2 Tálca	8 Tálca	14 Hátsó láb	
3 Tálcafedő	9 Tálcafogó	15 Az összehajtó gomb	
4 A tálca bélése	10 Ülőpárna	16 Magasságállító gomb	
5 Ülés	11 Elülső láb		
6 Háttámla	12 Lábtámasz		



## Kiegészítők

(CsCsCsak a Mimzy 2 az 1-ben tartozéka)

- 1 Szűkítő betét (néhány modellnél)
- 2 Tálcafogó (néhány modellnél)



## FIGYELMEZTETÉSEK

- ! Az összeállítást felnőtt végezze.
- ! A termék használata előtt minden utasítást olvasson el!
- ! A használati utasítást őrizze meg, hogy később is megnézhesse.
- ! A termék 6 és 36 hónap közötti (15 kg-nál könnyebb) gyermekek esetében használható.
- ! A használati utasításban leírtak be nem tartása súlyos balesetveszélyt vagy halált idézhet elő.
- ! Az etetőszéken semmilyen módosítást NE VÉGEZZEN, és ne használja hozzá más gyártók alkatrészeit!
- ! Ne használja az etetőszéket, ha annak bármely része törött, szakadt, vagy hiányzik.
- ! Ne használja az etetőszéket addig, amíg minden alkatrészt fel nem tett, és megfelelően be nem állított.
- ! Ne hagyja gyermekét felügyelet nélkül, és fontos, hogy a baba mindig szem előtt legyen.
- ! Ha a gyermek kiesik vagy kicsúszik az etetőszékből, az súlyos sérüléssel, vagy akár halállal is járhat, tehát mindig megfelelően kösse be!
- ! A rögzítő övek helyes beállításához figyelmesen kövesse a használati utasításban leírtakat!
- ! Gyermekeit a hátradöntött és az egyenes támlájú állásban is, mindig megfelelően kösse be az etetőszékhez tartozó övekkel!
- ! A tálcát nem úgy terveztük, hogy a gyermeket a termékben tartsa.
- ! Az etetőszéket csak akkor használja, ha gyermeke már segítség nélkül fel tud ülni.
- ! Javasoljuk, hogy a terméket csak olyan babák esetében használja egyenes támlájú állásban, akik már képesek segítség nélkül ülni.
- ! NE ENGEDJE, hogy gyermeke felálljon az etetőszékben!
- ! Az etetőszéket NE emelje fel, és NE vigye úgy, hogy a gyermek is benne van.
- ! Ne engedje, hogy gyerekek az etetőszékkel vagy az etetőszék körül játsszanak akkor, amikor a baba benne van.
- ! Ne engedje, hogy a gyermek kihajoljon az etetőszékből, mert a szék felborulhat.
- ! Az etetőszék tálcájára NE tegyen nehéz táskákat, csomagokat vagy egyéb tárgyakat, mert az etetőszék felborulását okozhatják.
- ! Az etetőszéket mindig egyenes és vízszintes padlóra tegye!
- ! Az etetőszék közelében a szabadon égő tűz és a hőforrások, mint például az elektromos és gázkonvektorok, nagyon veszélyesek lehetnek.
- ! A fulladásveszély elkerülése érdekében, sose tegye a terméket zsinórok, például függöny- vagy telefonzsinór stb. közelébe!
- ! A termék használatba vétele előtt minden rögzítést és illesztést kellő mértékben meg kell húzni rajta.
- ! A rögzítéseket és illesztéseket rendszeres időközönként ellenőrizze a biztonság érdekében.
- ! Rendszeres időközönként ellenőrizze a terméket, hogy nincs-e rajta sérülés, nem hiányzik-e róla valami, és nincsenek-e rajta éles szélék.
- ! Ha az etetőszéket be akarja állítani, vagy össze akarja csukni, előtte mindig vegye ki belőle a gyermeket!
- ! Mielőtt gyermekét az etetőszékhez engedné, előtte győződjön meg, hogy a terméket teljesen összecsuksa vagy szétnyitotta.
- ! Ha kérdése van a karbantartással, javítással vagy alkatrészek cseréjével kapcsolatban, forduljon a kereskedőhöz!
- ! NE TEGYEN a tálcára forró ételt, hogy elkerülhesse az égési sérüléseket.
- ! FIGYELEM Mindig ügyeljen az övek megfelelő beállítására.

## Az etetőszék összeállítása

A termék összeállítása és használatba vétele előtt olvassa el az összes utasítást!

### A keret szétnyitása

1. Addig fordítsa visszafelé a hátulsó lábat, amíg kattanást nem hall **1**

### Az ülés összeállítása

1. Nyissa szét az ülést **2**
2. Illessze az ülést a keretre! **3**. Kattanás jelzi, hogy az ülés a kereten van **4**
  - ! Győződjön meg róla, hogy az ülés megfelelően a helyére került! Ehhez próbálja megemelni.

### Az üléspárna összeállítása

Az üléspárnát a következő lépésekben állítsa össze:

1. Nyissa szét az ülést.
2. Tegye be a két övet az ülés hátán lévő nyílásokba. **5**
  - ! Ügyeljen rá, hogy az övek megfelelően a helyükön legyenek az ülés hátán, és az üléspárna ne csúszhasson el.
3. Húzza át az öveket az üléspárna nyílásain. **6**
4. Húzza rá az üléspárnát a háttámla felső részére.

## Az etetőszék használata

### A lábtámasz beállítása

1. A lábtámasz 2 helyzetbe állítható.
2. Az ülés mindkét oldalán nyomja le a beállító gombokat **7 - 1**, majd fordítsa a lábtámaszt lefelé vagy felfelé. **7 - 2**

### A lábtartó beállítása

1. A lábtartó 3 helyzetbe állítható.
2. A lábtartó beállításához vegye le a lábtámaszról **8**, válassza ki a kívánt helyzetet, majd tegye vissza a lábtartót a lábtámaszba. **9**

### A csat használata

#### MEGJEGYZÉS

1. Mindig kösse be a gyermeket, nehogy kiessen vagy kicsússzon az etetőszékből!
2. Ügyeljen rá, hogy a rögzítő öveket megfelelően állítsa be! Annyi hely maradjon a gyermek teste és az öv között, hogy egy felnőtt tenyere még épp beférjen az öv alá.
3. Ne keresztezze a vállöveket, mert azzal nyomást fejt ki a gyermek nyakára.

### A csat bezárása

Tegye a derékon átmenő öv csatját a vállöv csatjához, és a kettőt nyomja össze! **10 - 1**. Csúsztassa a csatokat a központi csatba! **10 - 2** A csat megfelelő rögzülését kattanás jelzi. **10 - 3**. A műveletet a másik oldalon is ismétlje meg!

### A csat kinyitása

A csatok kinyitásához nyomja meg a középső gombot. **11**

## A vállöv magasságának beállítása

### MEGJEGYZÉS

1. A vállöveknek be kell mennie abba a nyílásba, amely a vállal egy magasságban van, vagy annál egy kicsit feljebb.
2. Miután betette a babát az etetőszékbe, ellenőrizze, hogy a vállöv a megfelelő magasságban van, nehogy gyermeke kiessen.
3. Nagyobb gyermek esetében a felső nyílásokat használja, kisebb gyermeknél pedig az alsót.

1. Válassza ki a vállöveknek a megfelelő nyílásokat! Tegye be az öveket az ülés párná és az ülés hátának a nyílásaiba. **12** - **13**
  - ! Amikor a vállöveket másik nyílásba teszi, ügyeljen rá, hogy a vállövek az ülés párnán és az ülés hátán ugyanazokba a nyílásokba kerüljenek.

## Az öv hosszának beállítása

1. Az öv hosszának megváltoztatásához használja a csúszo beállító elemet. **14** - **1**
2. Húzza meg a derékon átmenő övet, hogy a megfelelő hosszúságú legyen **14** - **2**. A derékon átmenő öv kioldásához nyomja meg a gombot. **14** - **3**

## A tálca használata

### A tálca összeállítása

1. Tegye a lecsúszásgátló rudat és a tálcasínt a tálcára! Ehhez nyomja be a tálca alján lévő nyílásba, úgy, hogy kattanjon **15** - **16**.  
A derékon átmenő öv és a tálcarögzítő is csak egy állásban tehető fel. A lecsúszásgátló rúd és a tálcasín nyílásait a tálca alján lévő nyílás bordáival egy vonalba kell tenni.
2. Tegye a tálca vezetősínjeit az ülés nyílásaiba, és csúsztassa őket előre, hogy kattánó hangot halljon **17**.  
A tálca levételéhez nyomja meg az alatta lévő gombot, és csúsztassa le a tálcát. **18**
  - ! Használat előtt a tálca fogóját be kell tenni a tálcába. Ha bent van, utána már ne próbálja kivenni!
  - ! A tálca igazítását óvatosan végezze, mivel a tálca teljesen lejöhet az ülésről.

### A tálca igazítása

1. A tálcának 3 helyzete van. A gyermek és a tálca közötti távolság úgy állítható, hogy megfelelő legyen.
2. Nyomja meg a tálca alatti gombot, húzza a tálcát a megfelelő helyzetbe, majd engedje el a gombot! Ha a tálca nem rögzül automatikusan a nyílásokban, akkor addig mozgassa, amíg kattánó hangot nem hall **19**.
  - ! Győződjön meg róla, hogy a tálca mindkét oldala azonos helyzetben van.
  - ! Húzza maga felé a tálcát! Így ellenőrizheti, hogy mindkét vezetősín biztonságosan van a helyén.

### A tálca tárolása

1. Amikor a tálcát nem használja, az a hátulsó lábakon tárolható.
2. Tegye a tálcát a hátulsó lábakra, és pattintsa be a vezetősíneket! **20**
3. A tálca tárolását a **20**. ábra mutatja.

## Használja a tálcafedőt

### MEGJEGYZÉS

1. A tálcafedő a tálcával együtt használható. Akkor is maradhat rögzítve amikor a tálcát eltávolítja.
2. Amikor az ebédlő asztalra helyezi, a tálca fedő használható felszolgáló tálcának is.

1. A tálcafedő ráhelyezéséhez tegye a tálca fölé és nyomja le amíg a fülek a helyükre pattannak. **21**
2. A tálcafedő eltávolításához fogja meg a fület az ülés mellett és húzza felfele, majd emelje le a tálcafedőt. **22**

## Az ülés magasságának a beállítása

1. A magasságot 7 helyzetbe lehet beállítani, az ebédlőasztal magasságának megfelelően, hogy a gyermek jobban élvezhesse a felnőttek társaságát étkezéskor.
  - ! A magasságot ne úgy állítsa, hogy a gyermek is az ülésen van.
2. A magasság beállításához fogja meg a szék két oldalán a magasságállító gombokat **23** - **1**, majd emelje fel, vagy nyomja le az ülést a kívánt helyzetbe. **23** - **2**

## A hátradöntés beállítása

1. 3 döntési helyzet van.
2. Fogja meg a szék hátán lévő gombot **24** - **1**, és nyomja le, vagy húzza fel **24** - **2**, hogy a szék háttámlája a kívánt helyzetben legyen.
  - ! A hátradöntés beállítását ne úgy végezze, hogy a gyermek is bent van az etetőszékben.

## Az etetőszék összehajtása

Az összehajtás lépései a következők:

1. Az etetőszék összehajtása előtt vegye le a tálcát!
2. Annak érdekében, hogy a szék csak kevés helyet foglaljon el, engedje le az ülést a legalsó helyzetbe, a lábtámaszt pedig vízszintes vagy lapos helyzetbe állítsa! **25**
3. Csukja össze az ülést! **26**
4. Csukja össze a keretet! **27**
5. Tegye a tálcát a hátulsó lábakra! **28**
  - ! Ne csukja össze az etetőszéket úgy, hogy a gyermek is benne van.

## Az ülés párna levétele

1. Kapcsolja ki az 5 pontos csatot!
2. Húzza át az öveket az ülés párna hátulján **29**
3. Az ülés párna levételéhez vegye le a két szijat az ülés hátáról. **30**

## Tartozékok

A tartozékok külön kaphatók vagy régiótól függően nem elérhetőek.

### Kis betét összeszerelése

Ha szüksége van a kis betétre, a **31**-es ábrának megfelelően szerelje össze.

### Tálca betét

A tálca betét a tálcával együtt használható. Akkor is maradhat rögzítve amikor a tálcát eltávolítja.

Amikor az ebédlő asztalra helyezi, a tálca betét használható felszolgáló tálcának is.

A tálcafedő ráhelyezéséhez tegye a tálca fölé és nyomja le amíg a fülek a helyükre pattannak. **32**

## Karbantartás

- ! A tálcafedő és a tálca bélése betehető a mosogatógépbe.
- ! Az ülés párna szivaccsal és szappanos vízzel tisztítható. Ne használjon fehérítőt!
- ! A kimosott ülés párnát felakasztva szárítsa! Ne tegye szárítógépbe!
- ! A keret tisztításához nedves ruhát és enyhe kémhatású tisztítószer használjon, majd a keretet száraz ruhával törölje szárazra!
- ! Az etetőszék tisztításához NE használjon higítatlan, közömbös tisztítószer, benzint vagy más, szerves oldószert, mivel károsíthatja.
- ! Rendszeres időközönként ellenőrizze az etetőszéket, hogy nincs-e rajta szakadás, sérülés, vagy nem jött-e szét egy varrás, és végezze el a szükséges cseréket vagy javításokat!
- ! Ha hosszabb időn át nem használja az etetőszéket, akkor olyan helyen tartsa, ahol a gyermeke nem férhet hozzá.

Gyártó: Joie GmbH

Származási hely: Kína

Forgalmazza: Brendon Kft. 1139 Budapest, Váci u. 99. [www.brendon.eu](http://www.brendon.eu)

Márkaszerző: Tel.: 06-70-339-7000; [szerviz@brendon.hu](mailto:szerviz@brendon.hu)



السلامة رقم EN 14988:2017+A1:2020. إن هذا المنتج مناسب للاستخدام مع الأطفال سن 6 - 36 شهر نرجو قراءة هذا الدليل بحرص وإتباع كل خطوة لضمان أفضل حماية وخبرة ممتعة لطفلك الصغير. وعندما تستخدمين الكرسي جوي ممزي فإنك بذلك تستخدمين مقعداً مرتفعاً لإطعام الطفل عالي الجودة وبالشهادات المعتمدة الكاملة فهو معتمد بالمواصفات القياسية الأوروبية نهنكمم فلفد أصففم عصفوا في عالفة جوي ! وفسعدنا أن نكون حاضرين في حياتكم مع طفلكم

## ملاحظة هامة : احتفظ بالكتالوج للرجوع إليه مستقبلاً!

يمكنكم زيارتنا على عنواننا joiebaby.com لتنزيل الكتيبات ومشاهدة المزيد من منتجات جوي الرائعة!

### المحتويات

1-6	الصور
129	تخديرات
130	تجميع الكرسي العالي
130	فتح الفريم
130	تجميع الكرسي
130	تجميع وسادة الكرسي
130	تشغيل الكرسي العالي
130	ضبط دعامة سمانة الساق
130	ضبط مسند القدم
130	استخدام الإيزيم
131	ضبط ارتفاع أربطة الأكتاف.
131	ضبط طول الأربطة
131	استخدام الدرج
132	استخدام غطاء الدرج
132	ضبط ارتفاع الكرسي
132	ضبط الميل
132	طي الكرسي العالي
133	فصل وسادة المقعد
133	الملحقات
133	العناية والصيانة

### الطوارئ

في حالة الطوارئ أو الحوادث من المهم جداً العناية بلاطفال فوراً بلعلاج الطبي والإسعافات الأولية.

### معلومات عن المنتج

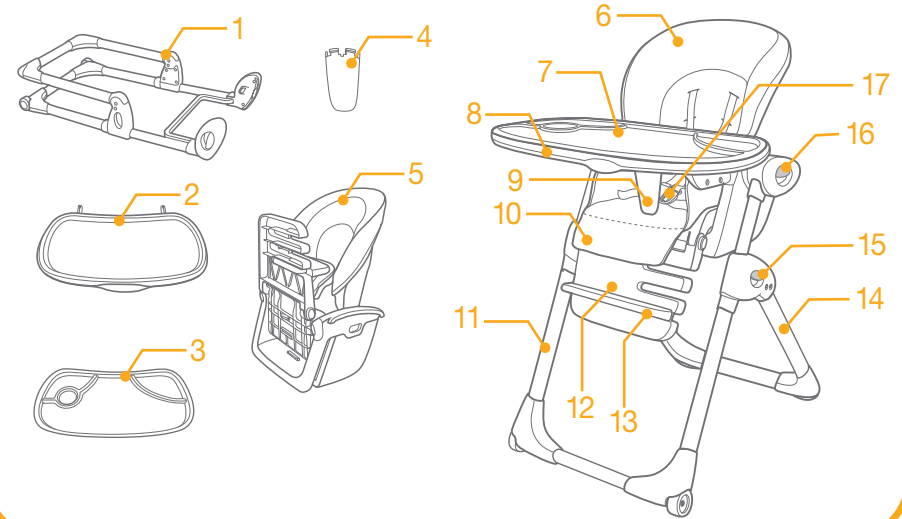
اقرأ جميع التعليمات في هذا الدليل قبل استخدام هذا المنتج. وإذا كانت لديك أي أسئلة أخرى نرجو الاتصال بلاموزع المحلي طرفكم.

المنتج :	كرسي عالي ممزي وكرسي عالي ممزي 2in1
مناسب :	للطفل وزن أقل من 15 كجم (6 - 36 شهر)
المواد :	البلاستيك والمعدن ونسيج الفبريك
رقم براءة الاختراع :	في انتظار براءات الاختراع
صناعة :	الصين
الاسم التجاري :	جوي
الموقع على الإنترنت :	www.joiebaby.com
الصانع :	Allison GmbH

### قائمة الأجزاء

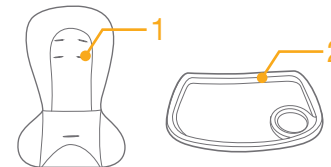
تأكد أن جميع الأجزاء متوافرة قبل التجميع. وإذا كان هناك أي جزء ناقص نرجو الاتصال بلاموزع المحلي. لا توجد أي أدوات مطلوبة للتجميع.

1 الفريم	6 مسند الظهر	11 القائم الأمامي
2 الدرج	7 غطاء الدرج	12 دعامة سمانة الساق
3 غطاء الدرج	8 الدرج	13 مسند القدم
4 بوق الدرج	9 بوق الدرج	14 الساق الخلفية
5 المقعد	10 وسادة المقعد	15 زر الطي



### الملحقات والإكسسوارات (موجود في 2 in 1 Mimzy فقط)

- 1 الحشوة الصغيرة (في موديلات معينة)
- 2 حشوة الدرج (في موديلات معينة)



## تجميع الكرسي العلامي

نرجو قراءة جميع التعليمات في هذا الدليل قبل تجميع واستخدام هذا المنتج.

### فتح الفريم

يتم تدوير القائم الخلفي رجوعاً حتى يتم سماع صوت طقطقة 1

### تجميع الكرسي

افتح الكرسي 2

ضع الكرسي في الفريم 3. ستسمع صوت طقطقة تعني أن الكرسي قد أصبح ثابتاً في الفريم 4.

! ارفع الكرسي حتى تتأكد من ثباته في مكانه

### تجميع وسادة الكرسي

يتم تجميع وسادة الكرسي بإتباع الخطوات التالية :

1 افتح الكرسي

2 ضع الشريط في الفتحات في ظهر الكرسي 5

! تأكد أن الأريطة ثابتة في مكانها في ظهر الكرسي لمنع وسادة الكرسي من الانزلاق.

3 اسحب جميع الأريطة عبر المجرى في وسادة الكرسي 6

4 يتم لف وسادة الكرسي فوق الجزء العلوي من ظهر الكرسي.

## تشغيل الكرسي العلامي

### ضبط دعامة سمانة الساق

1 الدعامة لها وضعين.

2 اضغط أزوار الضبط على الجانبين من الكرسي 1 - 7 مع تدوير دعامة السمانة لأسفل أو لأعلى 2 - 7

### ضبط مسند القدم

1 يمكن ضبط مسند القدم على 3 أوضاع.

2 لضبط مسند القدم فك مسند القدم من دعامة السمانة 8 ويتم اختيار الوضع المطلوب ثم أعد تثبيت مسند القدم في دعامة السمانة 9

### استخدام الإبزيم

#### ملاحظة هامة

1 لمنع الإصابات الخطيرة أو الوفاة نتيجة السقوط أو الانزلاق يتم تثبيت الطفل دائماً في الكرسي.

2 تأكد أن الأريطة ثابتة بشكل صحيح والمسافة بين الأريطة والطفل لا تتجاوز سمك اليد الواحدة.

3 تجنب تقاطع سيور الكف فإنها تمثل ضغطاً على رقبة الطفل.

إغلاق الإبزيم

يتم توافق إبزيم حزام الوسط مع إبزيم الكف والانزلاق معاً 1 - 10 ويتم إدخال الإبزيم في الإبزيم المركزي 2 - 10. ستسمع صوت طقطقة تدل على أن الإبزيم قد تم إحكامه بالكامل 3 - 10 يتم التكرار على الجانب الآخر.

فك الإبزيم

اضغط الزر المركزي لفك الإبزيم 11

## تحذيرات

! التجميع مطلوب بمعرفة الكبار.

! نرجو قراءة جميع التعليمات في هذا الدليل قبل تجميع واستخدام هذا المنتج.

! احتفظ بدليل التعليمات للرجوع إليه مستقبلاً.

! هذا المنتج مناسب للأطفال سن 6 - 36 شهر (أقل من 15 كجم)

! التقصير في إتباع هذه التحذيرات والتعليمات التجميع يمكن أن تؤدي إلى إصابات خطيرة أو الوفاة.

! عليك عدم أي إجراء أي تعديلات في هذا الكرسي العالي أو استخدامه مع أجزاء مكونات من مصانع أخرى.

! لا تستخدم الكرسي العالي إذا كانت هناك أي أجزاء تعرضت للكسر أو التمزق أو ناقصة.

! لا تستخدم الكرسي العالي إلا إذا كانت جميع المكونات قد تم تركيبها بطريقة صحيحة وضبطها.

! لا تترك الطفل أبداً بدون ملاحظة و عليك مراقبة الطفل دائماً.

! لمنع الإصابة الخطيرة أو الوفاة بسبب السقوط أو الانزلاق يتم تثبيت الطفل دائماً في الكرسي.

! اتبع هذه التعليمات بحرص للتأكد من تركيب الأريطة بإحكام.

! عليك تأمين طفلك في جميع الأوقات باستخدام الأريطة في جميع الأوقات باستخدام الأريطة في كل من الوضع القائم أو المائل.

! إن الدرج غير مصمم لتثبيت الطفل في الكرسي.

! لا تستخدم الكرسي العالي حتى يمكن للطفل أن يجلس عليه بدون مساعدة.

! نوصي باستخدام المنتج في الوضع القائم فقط للأطفال القادرين على الجلوس في الوضع المنتصب بدون مساعدة.

! لا تسمح لطفلك بالوقوف على الكرسي.

! لا ترفع أو تحمل الكرسي أثناء الجلوس عليه.

! لا تسمح للأطفال باللعب بالكرسي أو حوله أثناء جلوس الطفل.

! لا تسمح للأطفال بالاتكاء على جوانب الكرسي فقد يفقد الكرسي توازنه وينقلب.

! لا تضع أي أكياس أو طرود أو عبوات ثقيلة أو أشياء في درج الكرسي فإنها قد تؤدي إلى انقلاب الكرسي.

! استخدمه دائماً على أرضية مسطحة ومستوية.

! احترس من اللهب المكشوف ومصادر الحرارة الشديدة الأخرى مثل المواقد الكهربائية ومواقد الغاز وغيرها بجوار الكرسي.

! لتجنب مخاطر الاختناق لا تضع المنتج في أي مكان حيث توجد خيوط وحبال مثل خيوط الستائر والمفروشات وأسلاك التليفون وغيرها.

! جميع مكونات التركيب يتم فكها بالكامل وإحكامها وربطها جيداً قبل استخدام المنتج.

! أفحص الأقفال والتركيبات للأمان

! يتم التفيتيش دائماً على المنتج بخصوص أي أجزاء أو وصلات مفككة أو أجزاء ناقصة أو حواف حادة.

! أرفع الطفل من المنتج قبل طيه أو ضبط الكرسي.

! تأكد من طي أو فك طي الكرسي بالكامل قبل اقتراب الطفل من الكرسي.

! أرجع للموزع المحلي بخصوص مشكلات الصيانة والإصلاح واستبدال الأجزاء.

! لتجنب الحروق لا تضع الطعام الساخن على الدرج.

! تنبيه تأكد من إحكام ربط أحزمة الأمان بشكل صحيح.

! تحذير: لا تترك طفلك دون مراقبته

! يُرجى استخدام نظام التقييد والتأكد من تركيبه بالشكل الصحيح بصورة دائمة؛ لتجنب إصابة الطفل أو وفاته نتيجة السقوط أو الانزلاق.

! خطر السقوط: امنع طفلك من التسلق فوق كرسي تناول الطعام.

! تنبه إلى خطر النيران المكشوفة ومصادر الحرارة القوية الأخرى، الموجودة بالقرب من كرسي الطعام.

! أبعد الأطفال أثناء طي وفرد المنتج لتجنب الإصابة.

! تجنب خطر ميل الكرسي في حالة تمديد طفلك لقدمه ودفع المنضدة أو أي قطة أثاث أخرى بقدمه

! عليك دائماً استخدام نظام التثبيت.

## ملاحظة هامة

1. يمكن استخدام غطاء الصينية مع الصينية. كما يمكن إبقائه على الصينية حتى عند تخزينها.
2. عند وضع الصينية على طاولة العشاء يمكن استخدام غطاء الصينية كصينية تقديم.

1. لوضع الغطاء على الصينية ضعه عليها واضغط عليه إلى أن يستقر في موضعه. <sup>21</sup>

2. لإزالة الغطاء أمسك بلسان الموجود بالقرب من منطقة المقعد واسحبه لأعلى، ثم ارفع الغطاء لأعلى. <sup>22</sup>

## ضبط ارتفاع الكرسي

1 يوجد 7 ارتفاع للكرسي ويمكن ضبط الكرسي بالارتفاع المناسب بحسب ارتفاع مائدة الطعام مما يجعل من السهل على الطفل أن يتناول طعامه بالاشتراك مع العائلة.

! لا تضبط ارتفاع الكرسي بينما الطفل يجلي عليه.

2 لضبط الارتفاع اضغط أزرار ضبط الارتفاع على جانبي الكرسي 1 - <sup>23</sup> ويتم رفع وإزالة الكرسي حتى الوضع المطلوب 2 - <sup>23</sup>

## ضبط الميل

! لا تضبط ميل الكرسي مع وجود الطفل بداخله.

1 يوجد 3 أوضاع للميل.

2 يتم ضغط الزر على ظهر الكرسي 1 - <sup>24</sup> واضغط لأسفل أو اسحب لأعلى 2 - <sup>24</sup> لضبط الكرسي رجوعاً لوضع الميل المطلوب.

## طي الكرسي العالي

! لا تطوي الكرسي العالي مع وجود الطفل بداخله.

يتم طي الكرسي العالي بإتباع هذه الخطوات

1 فك الدرج قبل طي الكرسي العالي.

2 للتخزين في مكان أصغر يتم إزال الكرسي إلى الوضع المنخفض وضبط دعامة السمانة في الوضع الأفقي أو المسطح <sup>25</sup>

3 يتم طي الكرسي <sup>26</sup>

4 يتم طي الفرع <sup>27</sup>

5 يتم تخزين الكرسي على القوائم الخلفية <sup>28</sup>

## ملاحظة هامة

- 1 يجب أن تمر أربطة الكف في المجرى المتوافقة أو أعلى قليلاً من الأكتاف.
- 2 لكي تحمي طفلك من السقوط وبعد جلوس الطفل في الكرسي تأكد أن أربطة الكف بالارتفاع السليم.
- 3 للطفل بحجم أكبر استخدم مجرى الكف العلوية وللطفل بحجم أصغر استخدم مجرى الكف السفلية.

1 يتم اختيار زوج من مجرى الكف المناسبة ويتم إدخال أربطة الكف في المجرى في وسادة الكرسي وظهر الكرسي <sup>13</sup> <sup>12</sup>

! عند استبدال مجرى أربطة الكف تأكد أن أربطة الكف تمر عبر نفس المجرى في وسادة الكرسي وظهر الكرسي.

## ضبط طول الأربطة

استخدم أداة الضبط المنزلة لتغيير طول الأربطة 1 - <sup>14</sup>

اسحب أربطة الوسط لإحكام ربط الطول المناسب 2 - <sup>14</sup> واضغط الزر لفك أربطة الوسط 3 - <sup>14</sup>

## استخدام الدرج

تجميع الدرج

1 يتم تركيب الرباط أسفل الجسم وتركيبه الدرج في الدرج من خلال دفعه في الفتحة على قاع الدرج حتى تسمع طقطقة <sup>16</sup> <sup>15</sup>

! كل من الرباط السفلي والدرج يمكن تجميعها فقط في اتجاه واحد. والمجرى على حاجز الرباط السفلي والدرج يجب أن تكون مستقيمة مع الأخلاص في فتحة قاع الدرج.

يتم إدخال مجرى الدرج إلى الثقوب في المقعد مع الانزلاق للأمام حتى تسمع صوت طقطقة <sup>17</sup> ولفك الدرج اضغط الزر أسفل الدرج مع الانزلاق <sup>18</sup>

! يجب تثبيت بوق الدرج في الدرج قبل الاستخدام. وبمجرد تثبيت بوق الدرج لا تحاول فكه.

! عليك الحرس عند ضبط الدرج حيث أن الدرج يمكن فكه بالكامل من الكرسي.

ضبط الدرج

1 الدرج له 3 أوضاع والمسافة بين الطفل والدرج يمكن ضبطها حسب اللازم.

2 اضغط الزر أسفل الدرج مع تحريك الدرج حتى الوصول للوضع المطلوب ثم أترك الزر وإذا كان الدرج لم يتم دخوله تلقائياً في الثقوب يتم تحريك الدرج حتى يتم سماع صوت طقطقة <sup>19</sup>

! تأكد أن جانبي الدرج في أوضاع متوافقة.

! اسحب الدرج نحوك لضمان أمان الدليلين للتوجيه.

تخزين الدرج

1 في حالة عدم استخدام الدرج يمكن تخزينه على القوائم الخلفية.

2 ضع الدرج فوق القوائم الخلفية مع إطلاق دليل حركة الدرج في مكانه <sup>20</sup>

3 الدرج بعد تخزينه مبين في الرسم <sup>20</sup>

## فك وسادة الكرسي

1 فك الإبزيم 5 درجات.

2 اسحب الأريطة عبر ظهر قاعدة الكرسي <sup>29</sup>

فك الشريطين من ظهر الكرسي لفك وسادة الكرسي. <sup>30</sup>

## الملحقات

يمكن بيع الملحقات منفصلة أو قد تكون غير متوافرة حسب الإقليم.

### تجميع البطانة الصغيرة

إذا تطلب الأمر استخدام البطانة الصغيرة، يرجى تركيبها كما هو موضح في الشكل <sup>31</sup>.

### صينية مدرجة

يمكن استخدام درج الصينية مع الصينية، كما يمكن إبقائه على الصينية حتى عند تخزينها.

عند وضع درج الصينية على طاولة العشاء يمكن استخدام الدرج كصينية لتقديم.

لتركيب درج الصينية ضعه عليها، واضغط عليه إلى أن يستقر في موضعه. <sup>32</sup>

## العناية والصيانة

! يمكن غسل غطاء الدرج وحشوة الدرج في غسالة الأطباق بأمان.

! يمكن تنظيف وسادة الكرسي بالتنظيف بقطعة إسفنج والماء والصابون لا تستخدم التبييض.

! يتم تجفيف وسادة الكرسي بالتقطيط ولا تضعها في المجفف.

! لتنظيف الفريم يتم المسح بقطعة قماش رطبة ومنظف خفيف ثم يتم مسح أي آثار للرطوبة على الفريم بقطعة قماش جافة.

! لا تستخدم المذيبات المركزة المتعادلة أو البنزين أو المذيبات العضوية الأخرى لغسل الكرسي العالي فقد يضر ذلك بالكرسي العالي.

! من وقت إلى آخر افحص الكرسي بخصوص الأجزاء المتآكلة أو الممزقة واستبدل الأجزاء حسب اللازم.

! في حالة عدم استخدام الكرسي العالي لمدة طويلة نرجو وضعه في مكان حيث لا يمكن للطفل الوصول إليه.



Joie™

Allison GmbH,  
Adam-Opel-Straße 21 67227  
Frankenthal

bring the kids™

Share the joy at [joiebaby.com](https://joiebaby.com)

P-IM0026V