



**OBABY**

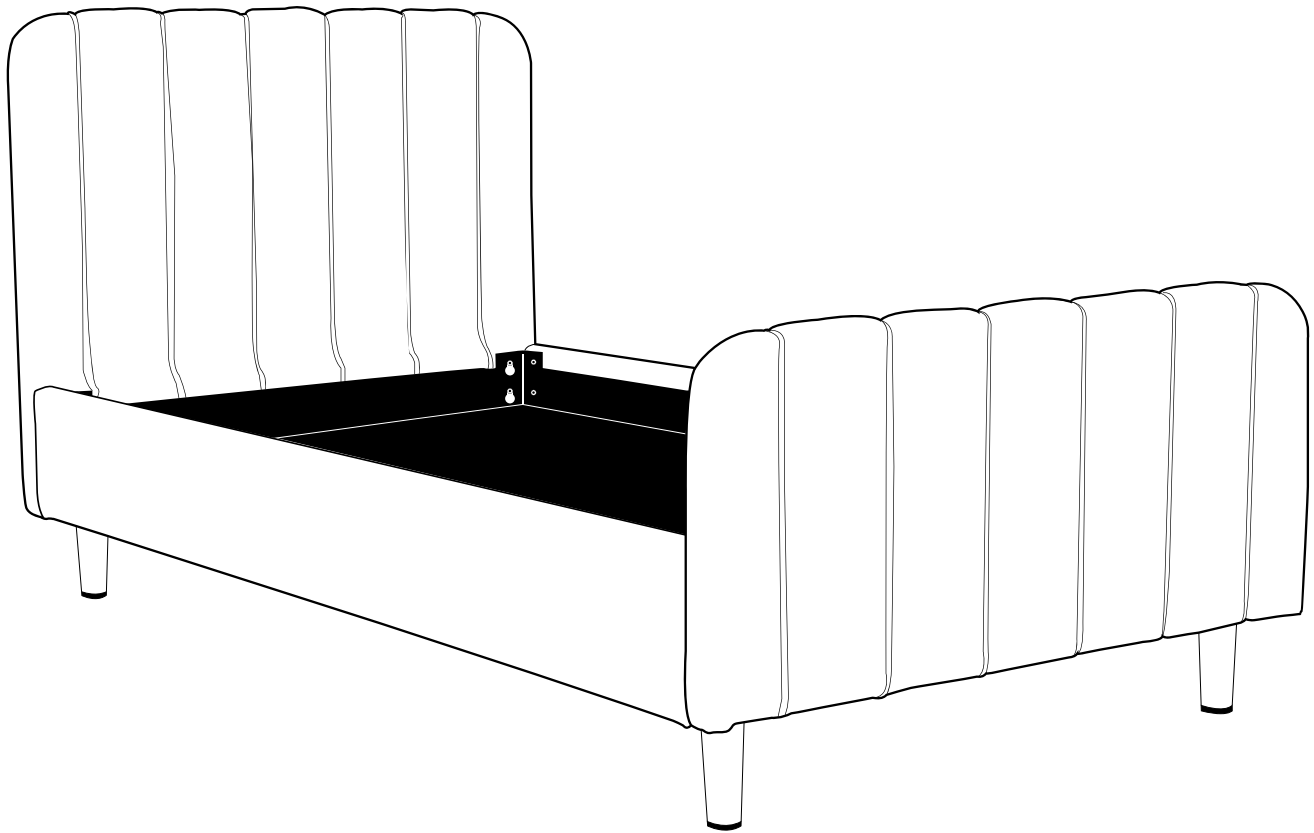
Safety Warnings



# Gatsby Velvet Single Bed

Instructions

Version: R1-0



**IMPORTANT**  
**KEEP FOR FUTURE REFERENCE**



Thank you for choosing Obaby. This single bed conforms to BS 8509 :2008 + A1:2011. To ensure that your single bed is used in accordance with these instructions, please read them fully.

Your child's safety may be affected if you do not follow these instructions.

**WARNING:** A child's safety is your responsibility

**WARNING:** Assembly should be carried out by a competent adult only.

**WARNING:** Do not use more than one mattress in the single bed.

**WARNING:** Do not use the child's bed near heat sources, windows and other furniture.

**WARNING:** Be aware of the risk of open fire and other sources of heat, such as electric bar fires, gas fires, etc. in the near vicinity of the single bed.

**WARNING:** Do not use this child's bed if any part is broken, torn or missing. Use only spare parts approved by the manufacturer.

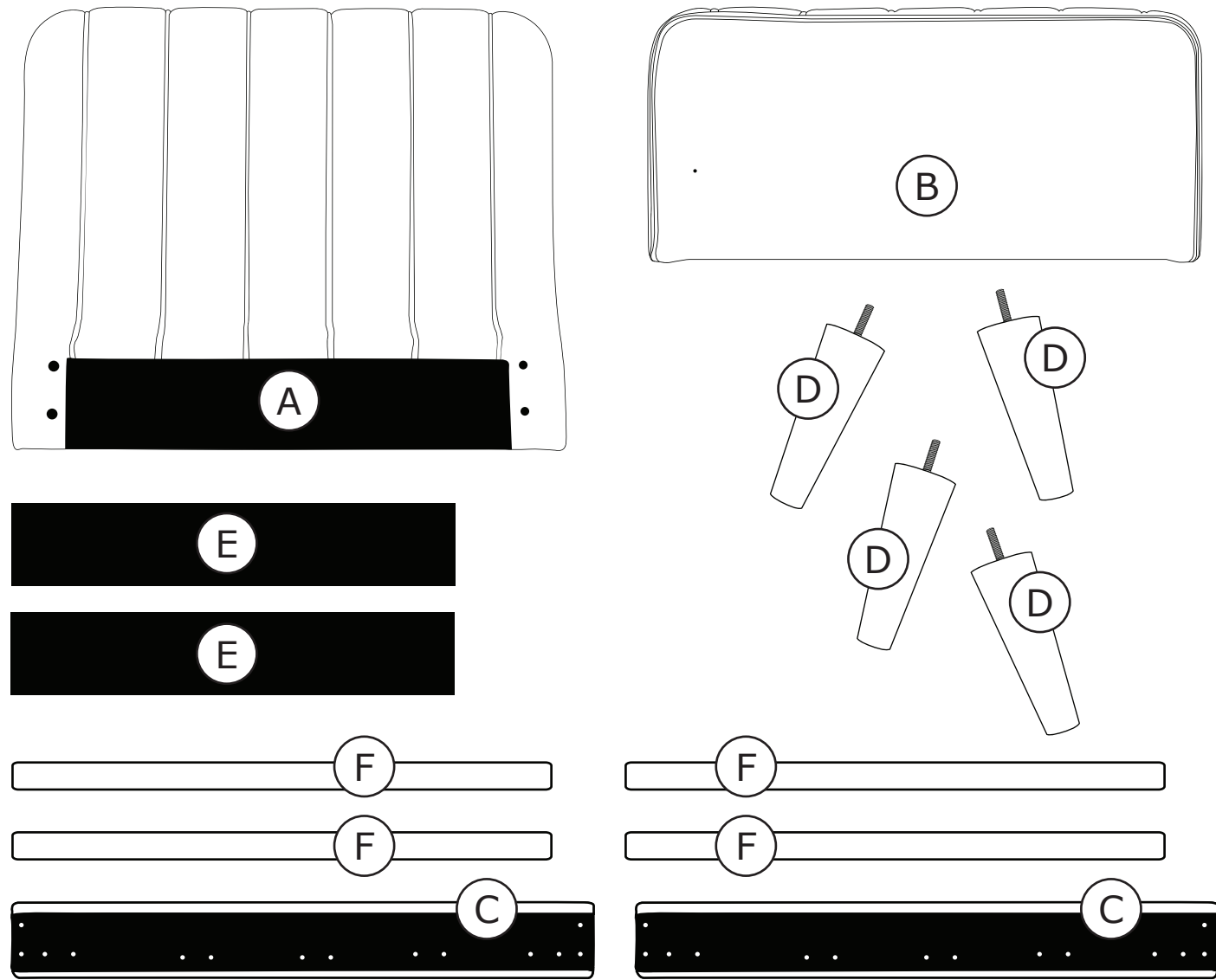
**WARNING:** Not suitable for children under 4 years.

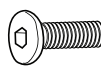


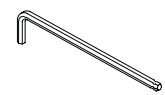
- We recommend you use the Obaby Mattress Size 190 x 90 cm for this single bed. The mattress should be no more than 30mm shorter or narrower than the internal length or width of the single bed.
- Regularly check that all fittings and components of the single bed are fully tightened and in working order.
- The single bed is designed to be dismantled for storage or transportation.
- Children are likely to play, bounce, jump and climb on beds, therefore the child's bed should not be placed to other furniture or windows, and should be placed either tight to the wall or have a gap of 300mm between the wall and the side of the bed.
- All assembly fittings should be tightened properly and care should be taken to ensure that no screws are loose, as a child could trap parts of the body, or clothing (e.g. ribbons, drawstrings, necklaces) this could lead to strangulation.
- During assembly children should be kept away from the product due to possible risk of injury.
- Wood is a natural material, the colour will darken with age.

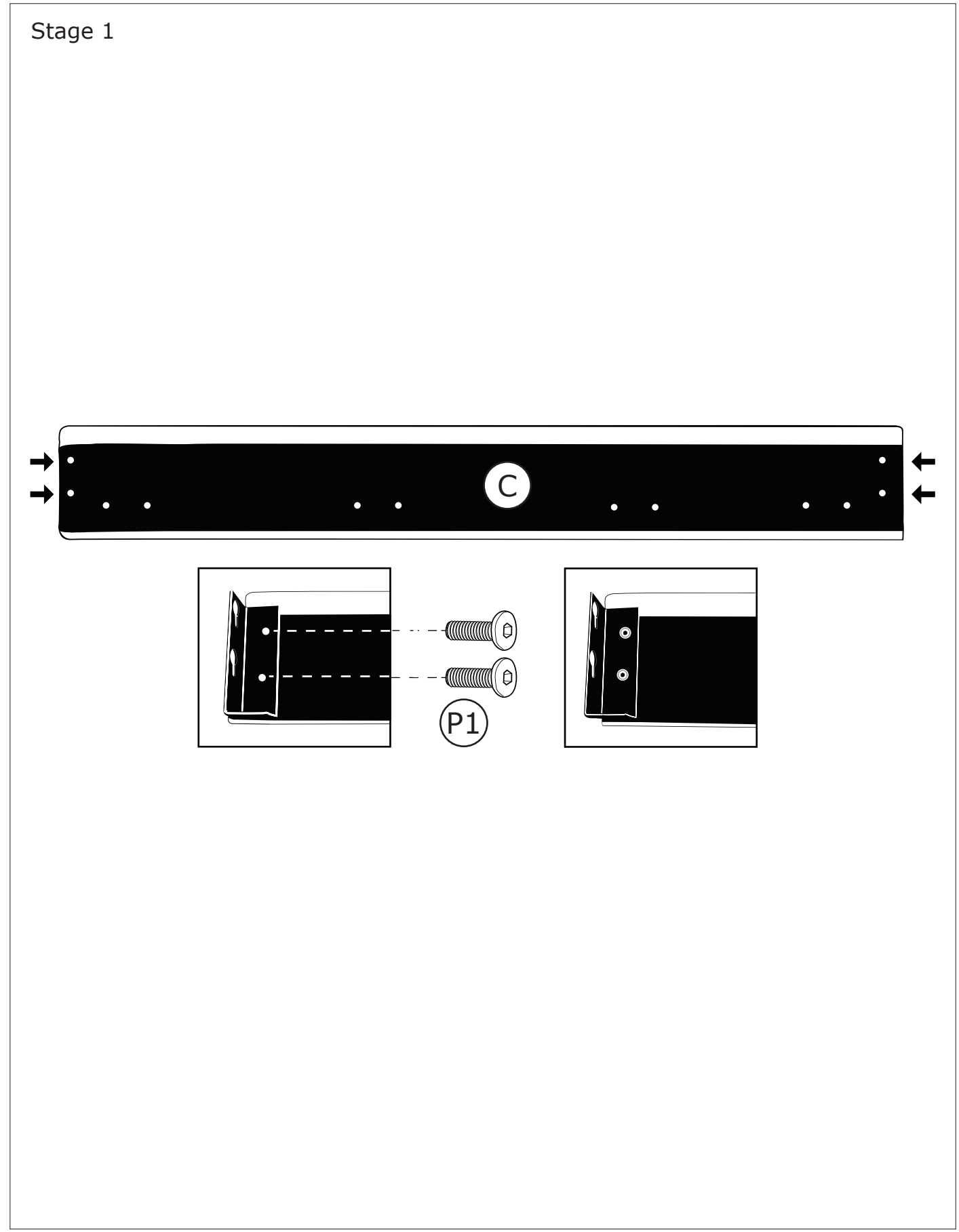
#### ROUTINE CARE & MAINTENANCE

- For cleaning, use only a mild detergent and warm water.
- DO NOT USE BLEACH.
- DO NOT USE any abrasive substances.
- From time to time, check your cot for loose screws, and worn parts. Replace or adjust the parts as needed.
- Treat spills and stains as soon as possible.

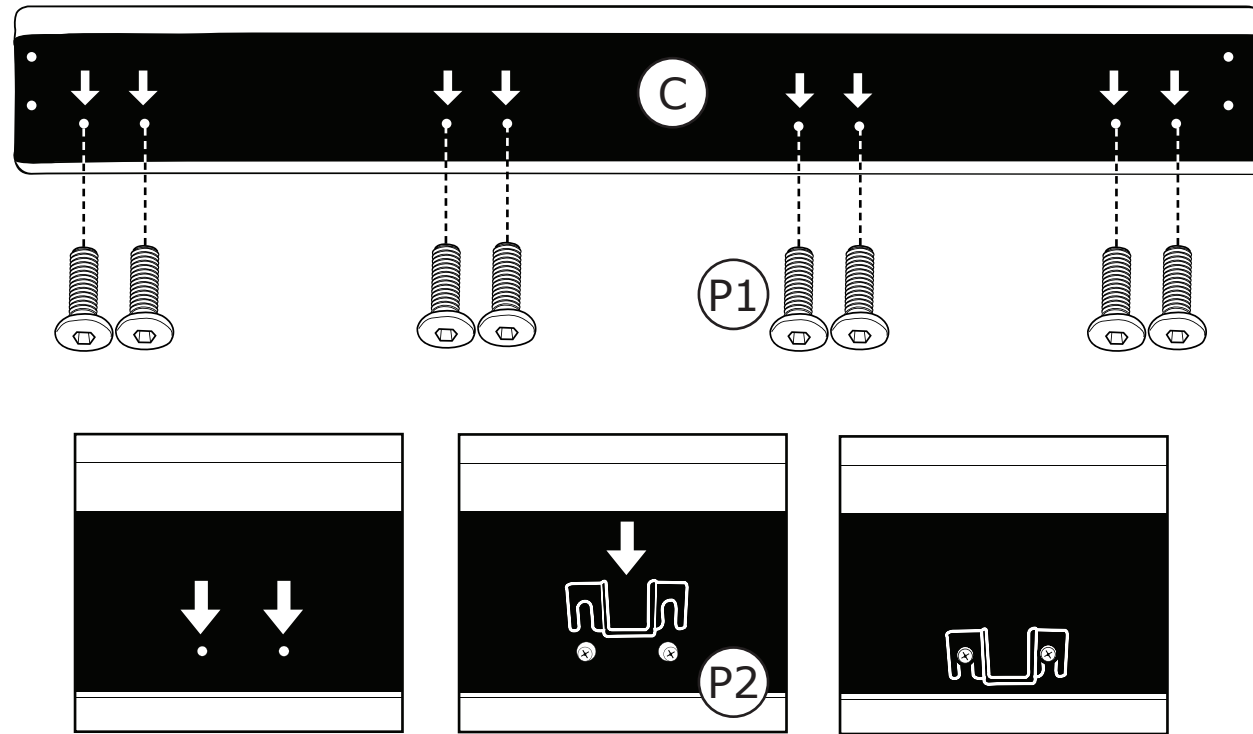
Due to constant updating and improvements, some components may occasionally differ slightly from the images shown in these instructions. We reserve the rights to change the specifications of any products without prior notice. If you need any assistance please contact your Obaby retailer from whom you purchased your product, who will take appropriate action.



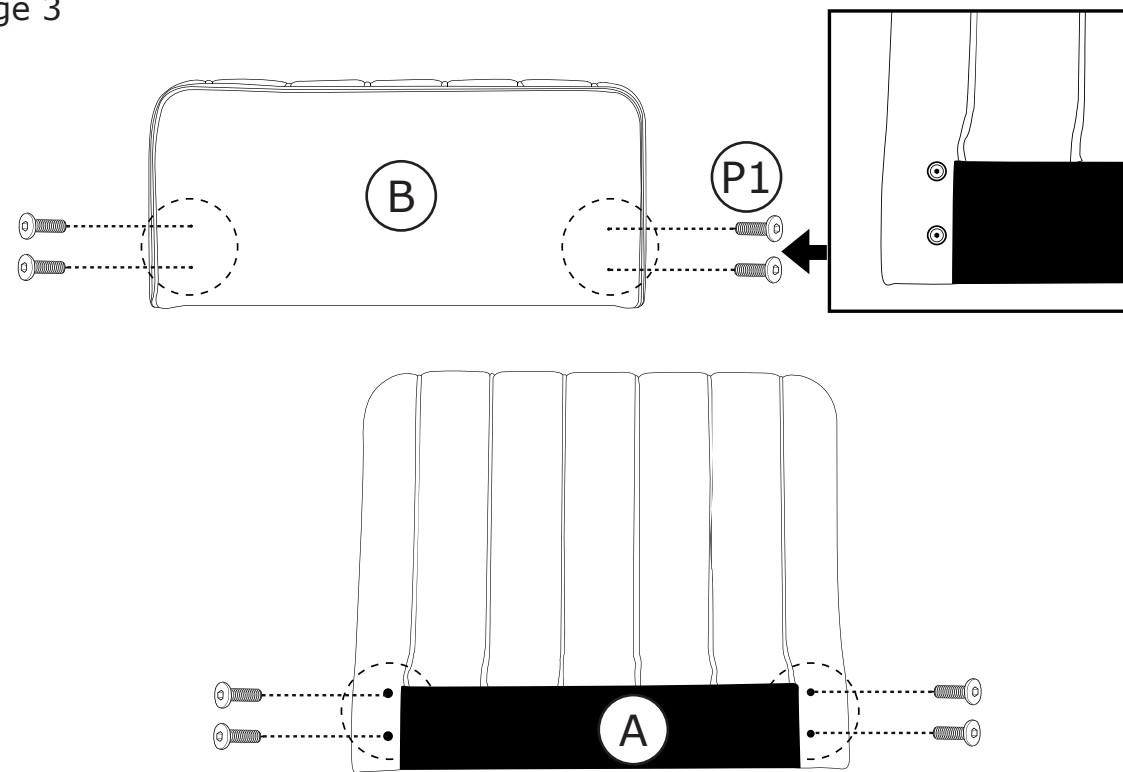
<b>P1</b>  <b>x32</b>	<b>P2</b>  <b>x8</b>	<b>P3</b>  <b>x4</b>	<b>P4</b>  <b>x1</b>
--	---	---	--



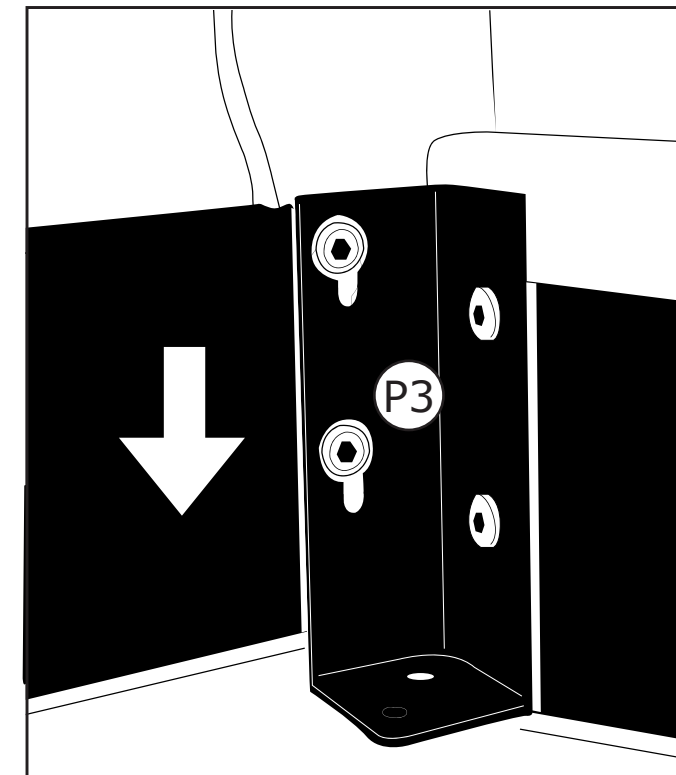
Stage 2



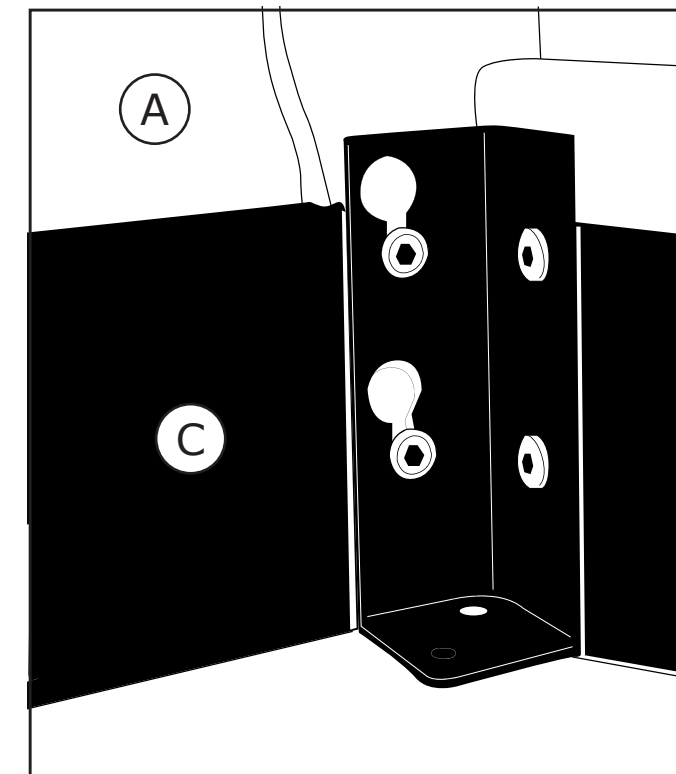
Stage 3



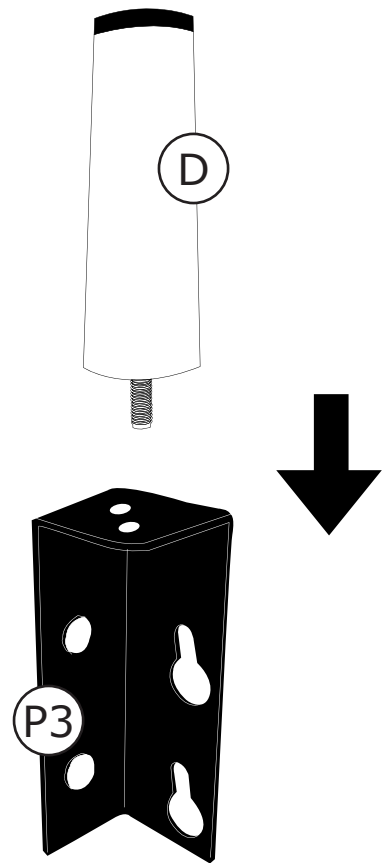
Stage 4



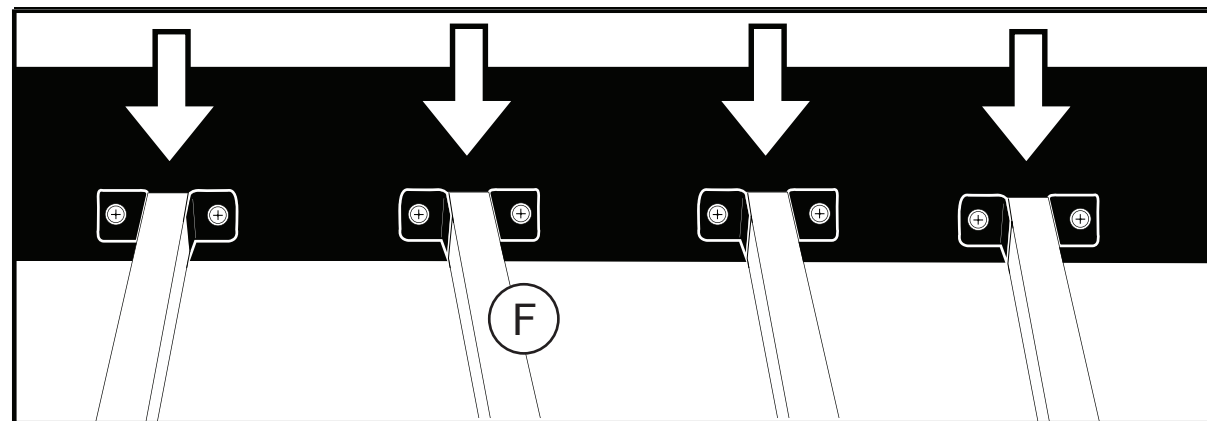
**PLEASE ENSURE THAT THE BOLTS ARE TIGHTENED**



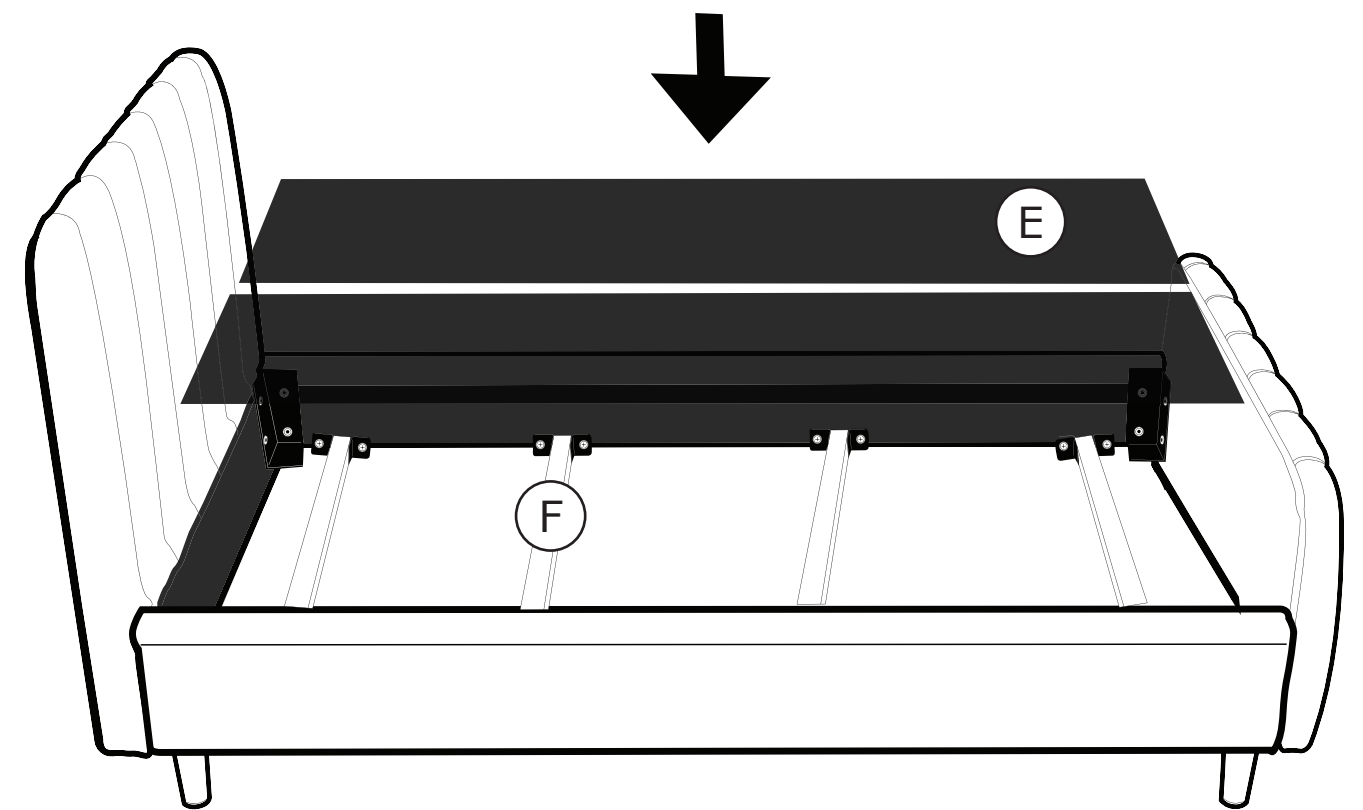
Stage 5



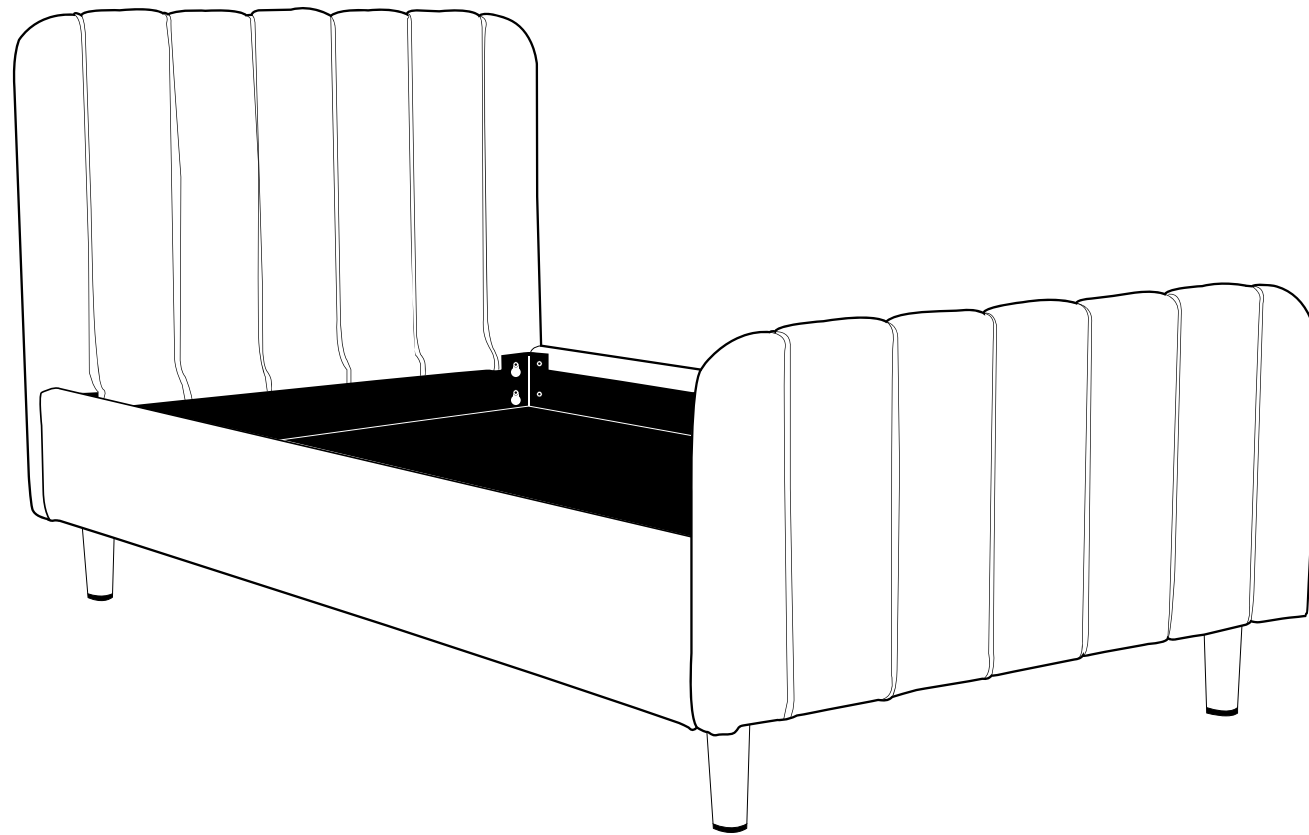
Stage 6



Stage 7



Stage 8



If you are happy with your purchase, please leave a review on our TrustPilot account using the following link:

<https://uk.trustpilot.com/review/www.obaby.co.uk>



obaby.co.uk



#ObabyUK

